

LED Basket Troffer CCT & Watt Adjustable

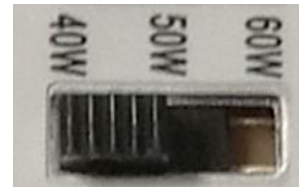
ETL,DLC



Hi

Select 3500 / 4100 / 5000 K

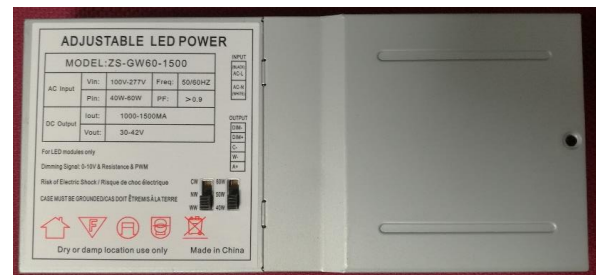
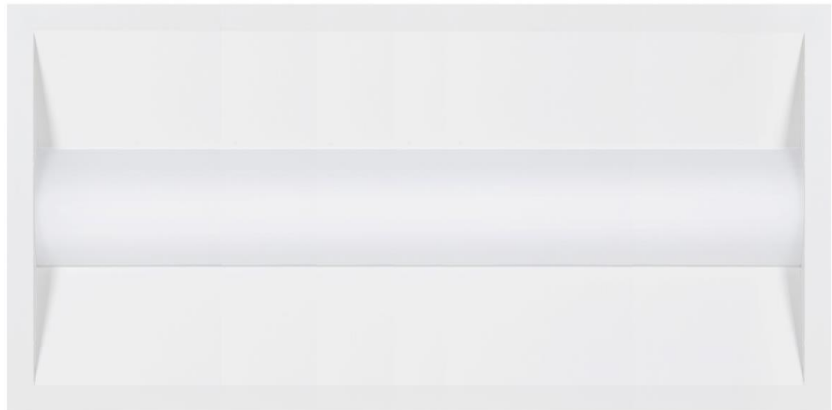
And



Switch for 40W / 50W / 60W on 2x4
Switch for 20W / 30W / 40W on 2x2

- Field adjustable 3 colors and 3 power limit

- DLC premium > 130 Lumen/Watt
- 100 - 277 VAC Dimmable 0-10 VDC
- PF > 0.95
- IP 40
- CRI > 80
- Suitable for damp location
- Beam Angle 120°
- Ambient Temp - 20° C ~ + 40° C
- Enamel coated metal body
- 5 years warranty
- Emergency Back up option



ADJUSTABLE LED POWER

MODEL: ZS-GW60-1500

AC Input	Vin: 100V-277V	Freq: 50/60HZ
	Pwr: 40W-60W	PF: >0.9
DC Output	Iout: 1000-1500MA	
	Vout: 30-42V	

For LED Modules only

Dimming Signal: 0-10V & Resistance & PWM

Risk of Electric Shock / Risque de choc Electrique

PLEASE MUST BE GROUNDED AS SHOWN IN THE TERMS

Dry or damp location use only

ON
OFF
DIM
DIM

Made in China

Power option -	20 Watts	30 Watts	40 Watts	50 Watts	60 Watts
Lumen Output -	2600	3900	5200	6500	7800

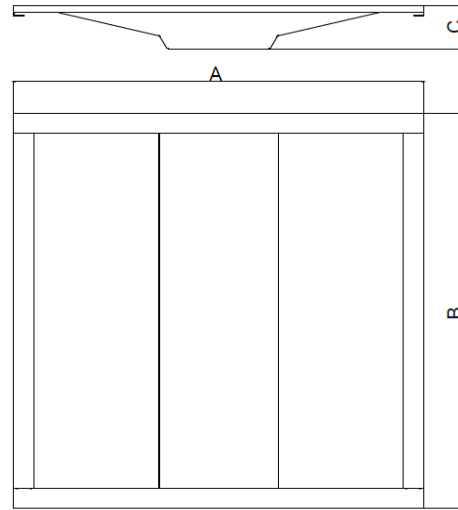
ITEM CODES

LBK-G22-AA-D1

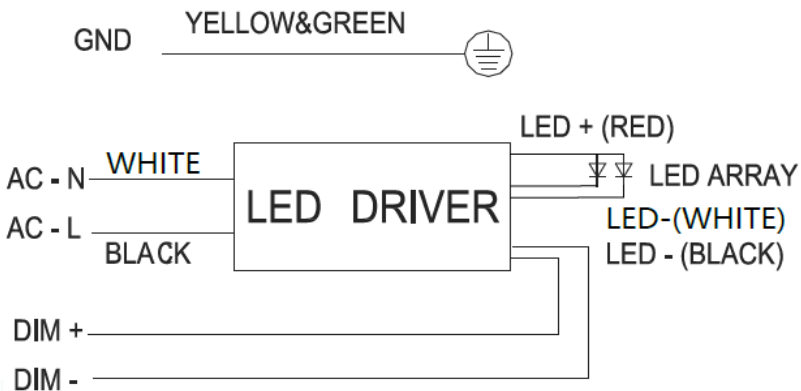
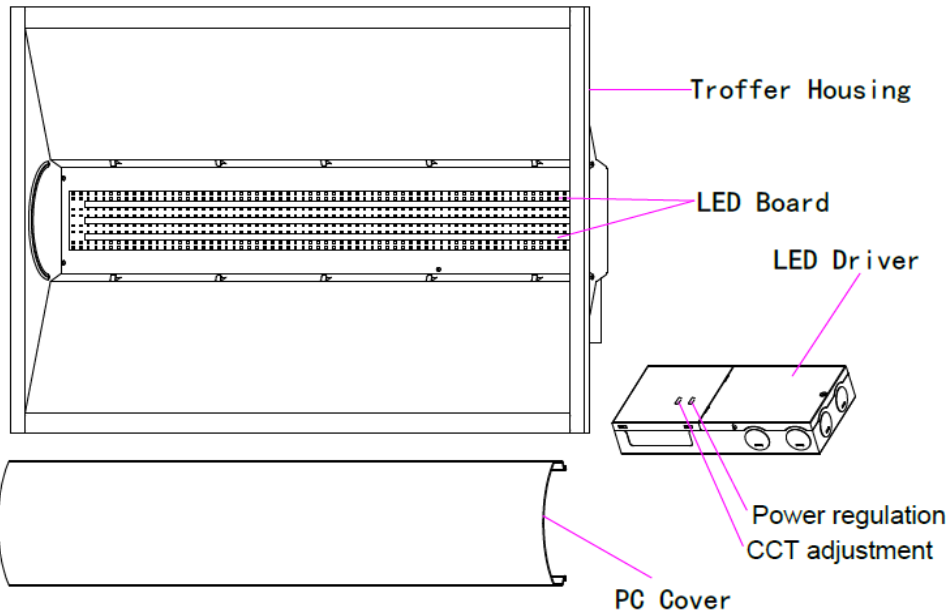
2x2, 3500/4100/5000K Adjust, 20/30/40W Adjust, 100-277 VAC, Dimmable

LBK-G24-AA-D1

2x4, 3500/4100/5000K Adjust, 40/50/60W Adjust, 100-277 VAC, Dimmable



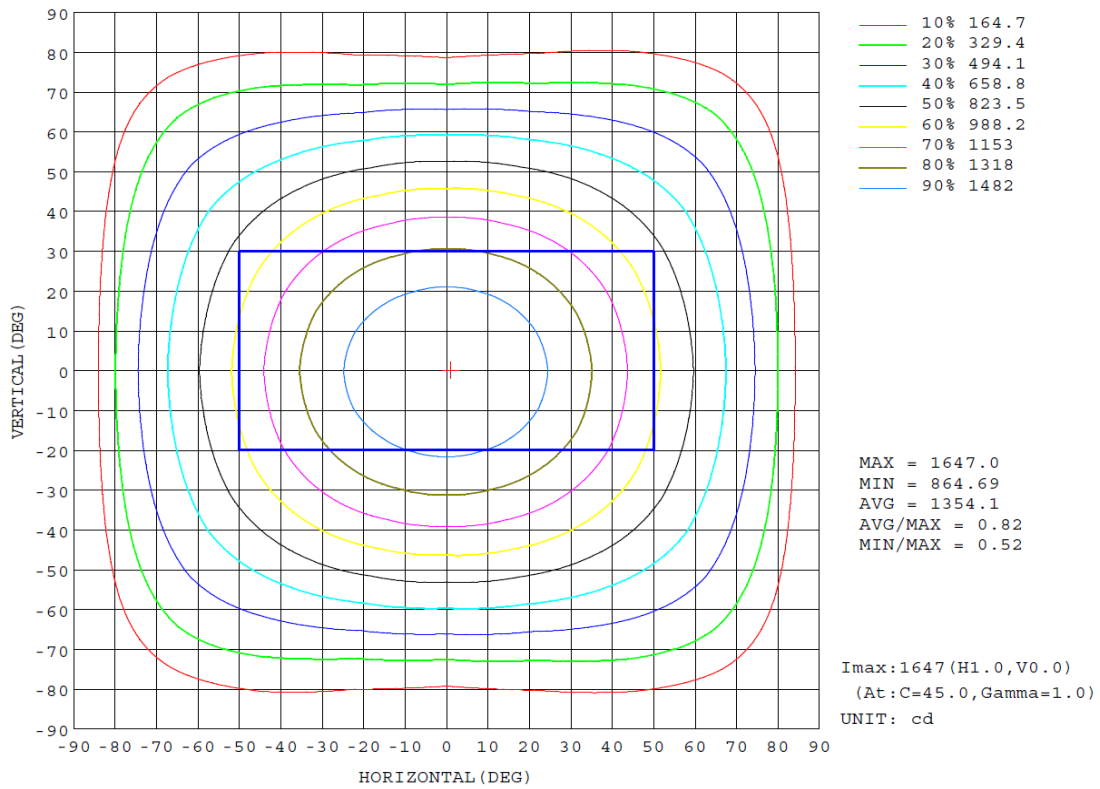
Maximum overall	A	B	C
2*2ft	603mm	603mm	70mm
2*4ft	603mm	1213mm	70mm



2X2

ISOCANDELA DIAGRAM

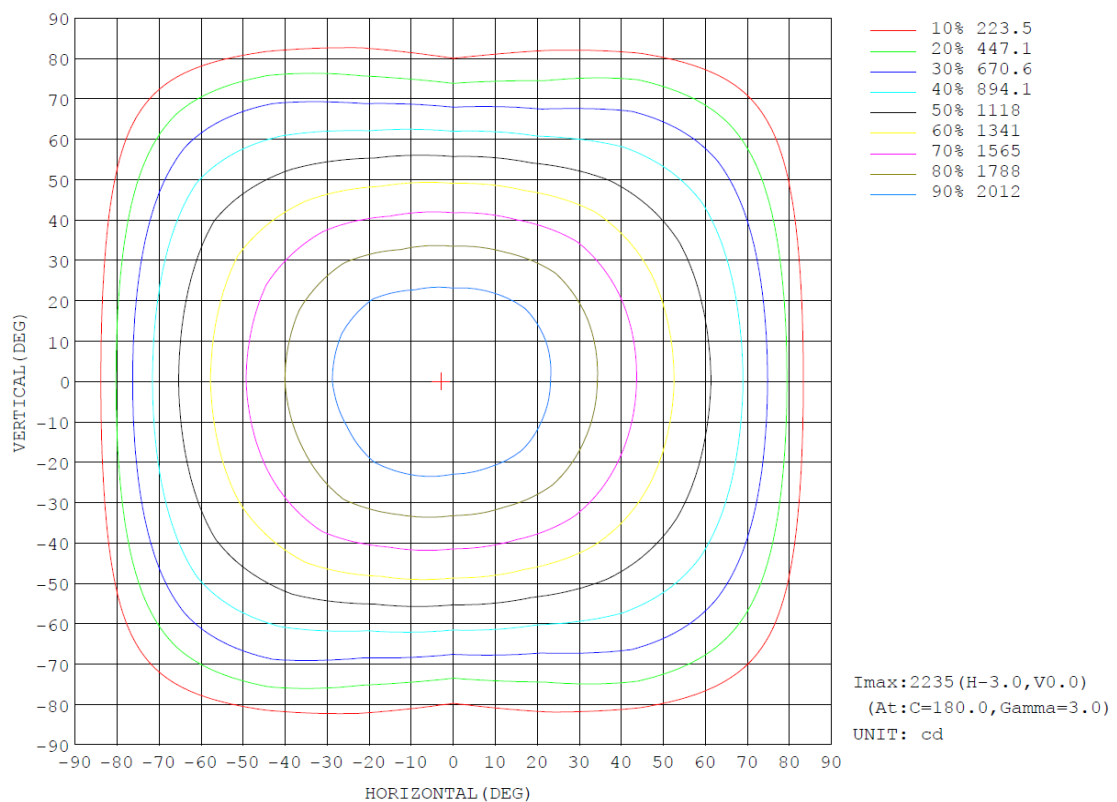
Test:U:120.00V I:0.3171A P:37.820W PF:0.9938 Freq:60.00Hz Lamp Flux:4762.89x1 lm



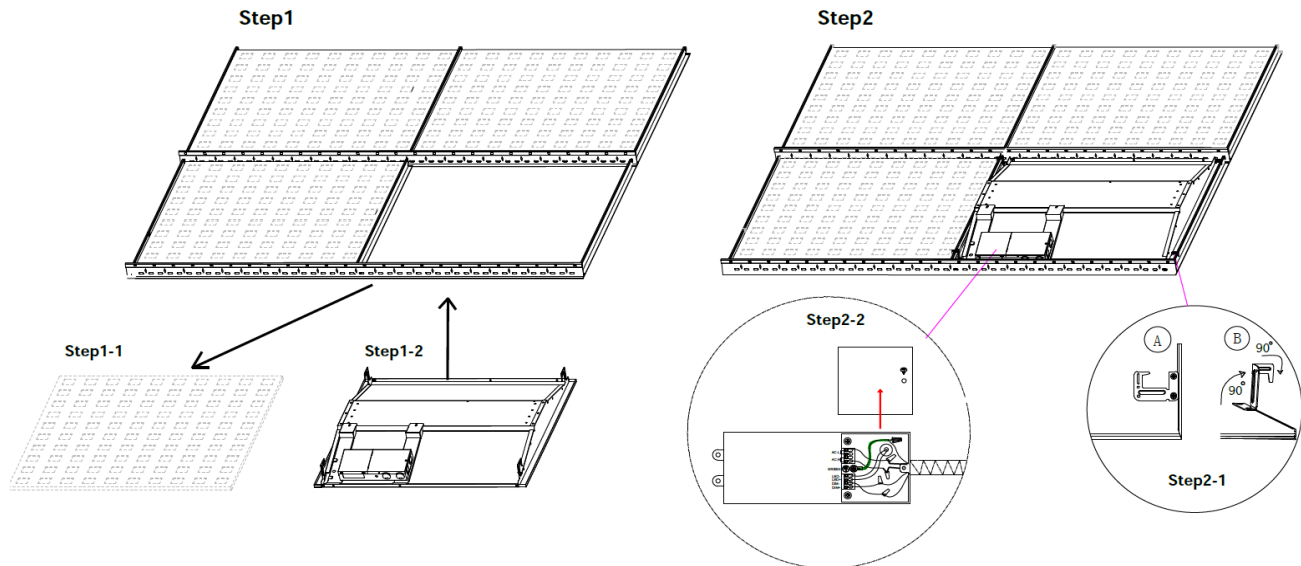
2X4

ISOCANDELA DIAGRAM

Test:U:120.0V I:0.4902A P:52.42W PF:0.9933 Freq:60.01Hz Lamp Flux:6938.17x1 lm



INSTALLATION INSTRUCTION



Step 1: Make sure of all the power is off before installing. Remove the one ceiling tile that you need to install light fixture on. Then place the light fixture on the T-bar carefully and make sure it is correctly in place and secure.

Step 2: Lift the 4 buckles on the back of the panel up by 90° then bend the top part of the buckles 90° towards the direction where you can anchor the light fixture to the T-bar.

Step 3: Open the driver's junction box and connect the AC wire to the driver correctly (L=black & N=white)

Warning:

Ensure the power supply has been cut off before connecting the wire, and all wiring and installation of this product are required to be operated by professionals.