

**CLEANER AIR FOR ALL**



**FEATURES**

- Reliable solution for cleaner air while there are occupants in the room
- Financial benefits that help reduce the main building HVAC Air Changes Per Hour (ACH)
- Flexible design that allows for existing 2x2 or 2x4 panel lights to be installed in the fixture, or included with the fixture
- With a linear style light fixture installed, you can place a ceiling tile in lieu of the panel light or a plastic sign with a logo instead
- Low maintenance cost requiring only 1 UVC lamp change every 9,000 hours per fixture – the on-unit lamp life monitor will let you know when it's time to replace
- Low power usage of only 36 watts on the actual UVC lamp itself, plus the additional wattage coming from the light fixture
- 2-year replacement warranty on the UVC portion of the unit and a 1-year lamp warranty
- Installs into the existing infrastructure or new construction



**SPECIFICATIONS**

	<b>2x2</b>	<b>2x4</b>
<b>INPUT VOLTAGE</b>	UNIVERSAL 120-227V	UNIVERSAL 120-227V
<b>UVC WATTS</b>	36W	36W
<b>FIXTURE WATTS</b>	85W	100W
<b>RECOMMENDED COVERAGE AREA</b>	600 sq ft* *refer to coverage area chart	600 sq ft* *refer to coverage area chart
<b>CFM</b>	UP TO 120	UP TO 120
<b>FAN</b>	ONE-SPEED / 70,000 hrs	ONE-SPEED / 70,000 hrs
<b>BALLAST</b>	ELECTRONIC BALLAST	ELECTRONIC BALLAST
<b>POWER CONNECTION</b>	WIRED	WIRED
<b>LAMP OPERATION MONITOR</b>	YES	YES
<b>LAMP LIFE MONITOR</b>	YES	YES
<b>WEIGHT</b>	33 lbs	39 lbs
<b>SIZE</b>	24.7" x 23.9" X 8.1"	24.7" x 48" x 8.1"

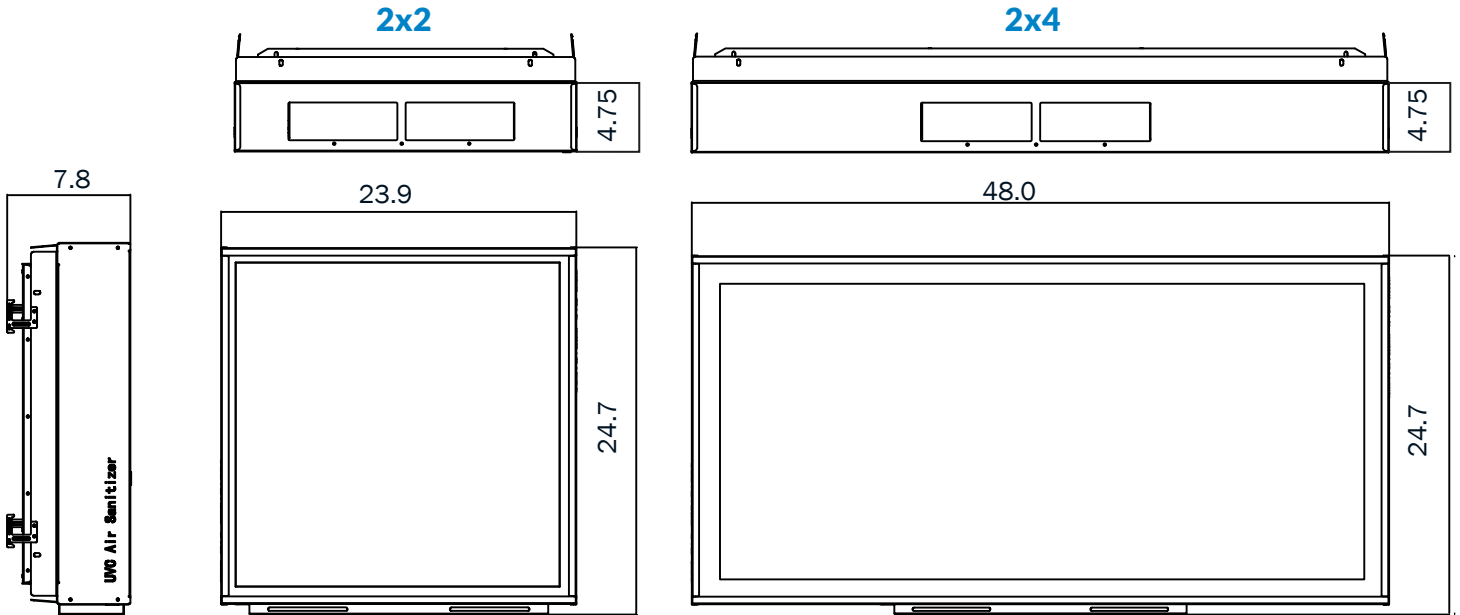
**PANEL LIGHT SPECIFICATIONS**

<b>CCT SELECTABLE</b>	35K / 40K / 50K	35K / 40K / 50K
<b>WATTS ADJUSTABLE</b>	18 / 24 / 30W	30 / 40 / 50W
<b>EFFICACY</b>	125 lm/W	125 lm/W



CLEANER AIR FOR ALL

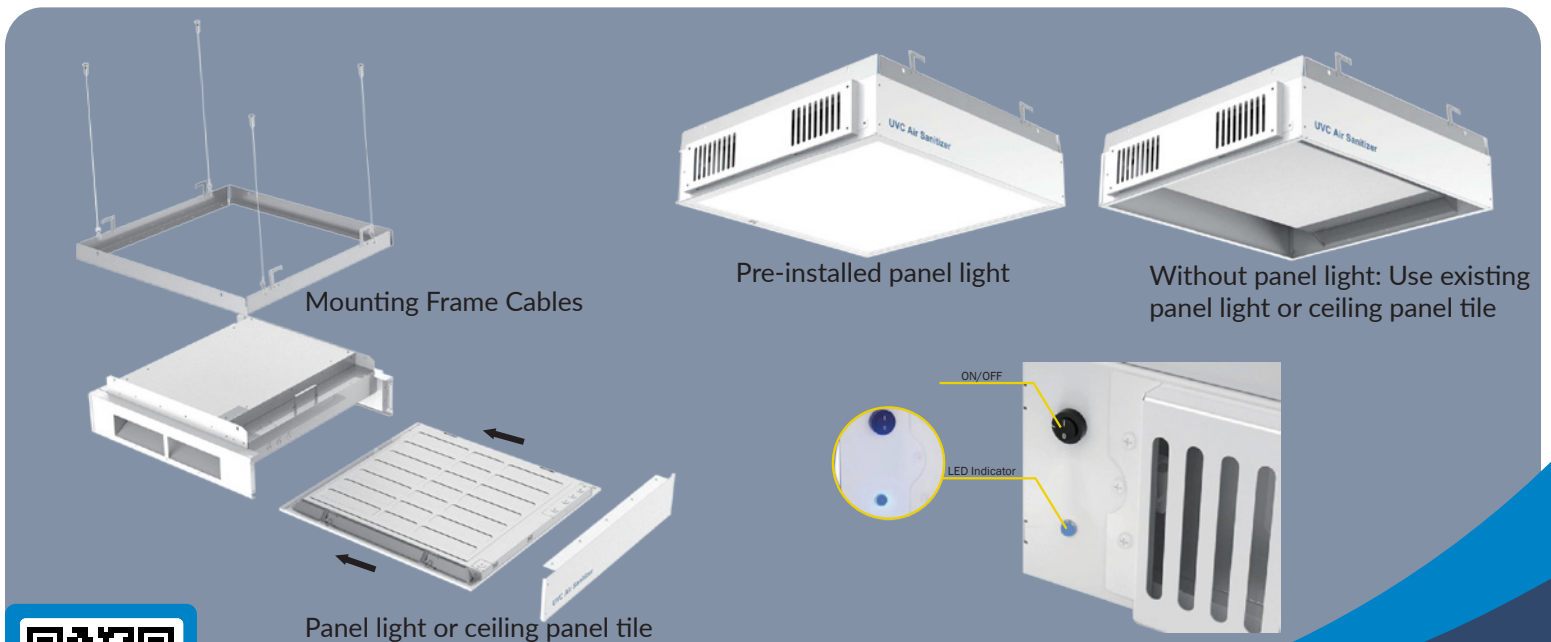
**DIMENSIONS**



**ORDERING INFORMATION**

Example: CLUV-22-36W-WL-U

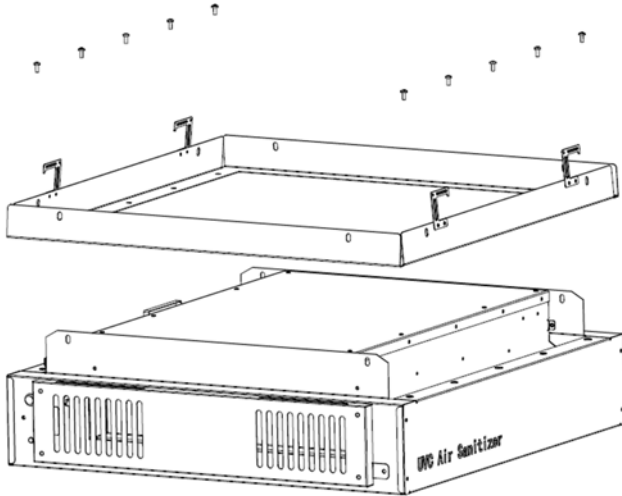
SERIES	PRODUCT	WATTAGE	LIGHT OPTION	VOLTAGE
CLUV	22 2X2 CEILING MOUNT	36W	NL NO LIGHT	U 120-277V
	24 2X4 CEILING MOUNT		WL WITH LIGHT	



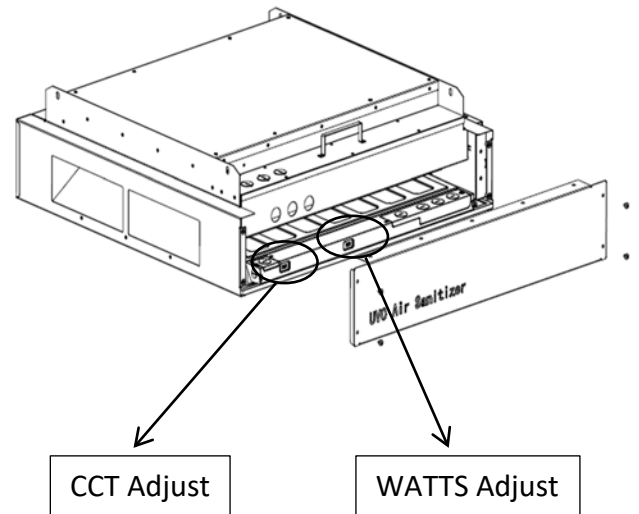
## INSTALLATION GUIDE

Unbox and perform Steps 1 through 3 on the ground.

1. Disassemble the support frame from the housing frame.

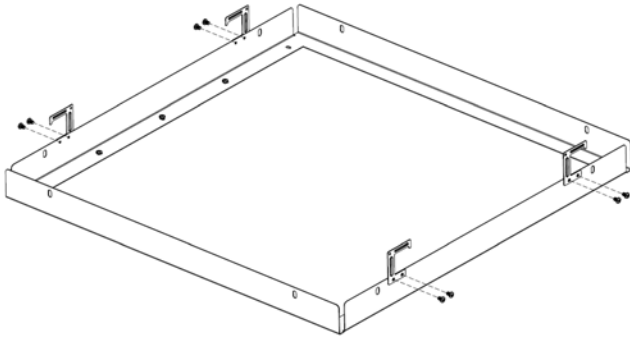


2. The CCT is pre-set to 4000K and the wattage is pre-set to the highest wattage setting. If the CCT or Watts needs to be adjusted: Disassemble the end of the housing frame by removing (4) screws (the end next to the wiring box). Adjust the CCT/ Wattage then re-assemble the end housing.



**INSTALLATION GUIDE** continued

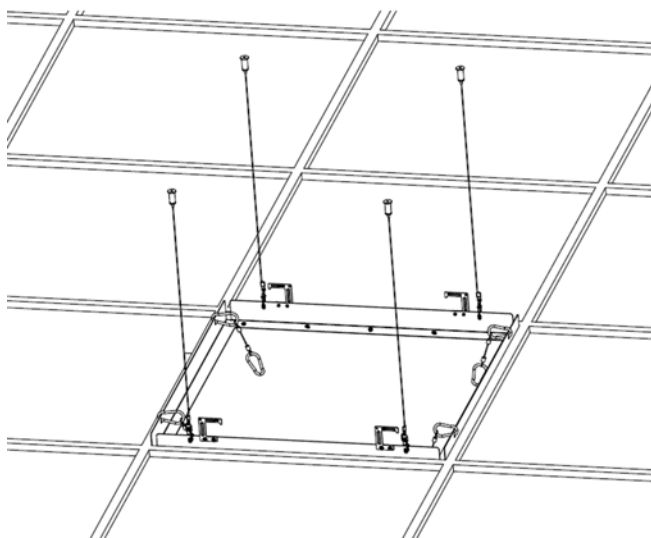
3. Assemble the (4) earthquake proof hooks by using the screws (hardware kits bag).



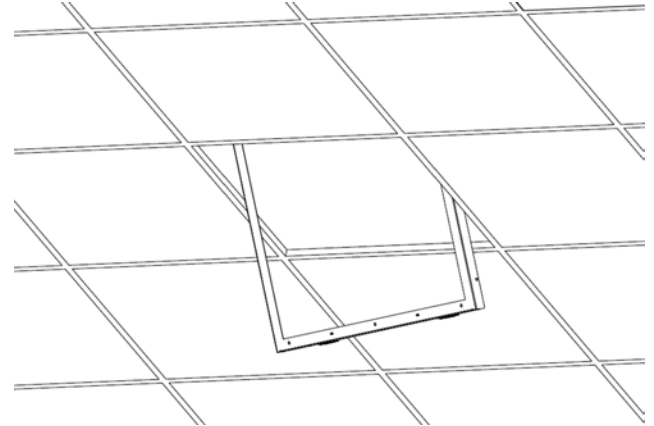
5. Secure the (4) short safety wires to support frame, allow these to hang down in the frame opening when the frame is installed in ceiling (see step 6).

Attach the (4) adjustable hanger wires to the support frame with the clip ends.

Attach the (4) hanger wires to the building structure that supports the T-Grid ceiling.

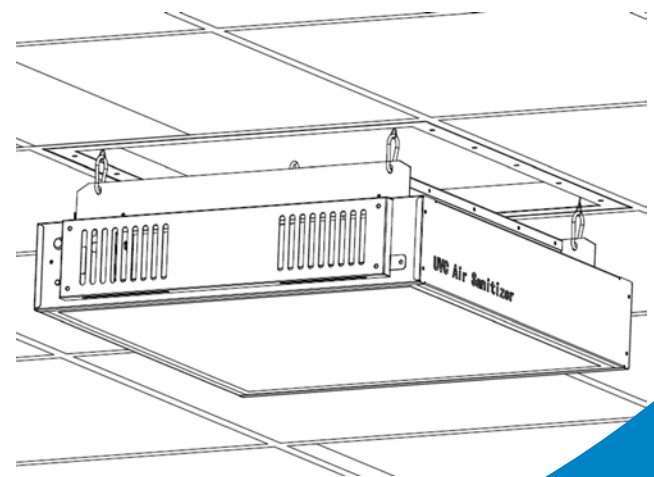


4. Rotate support frame 45° and slide it through the ceiling grid.



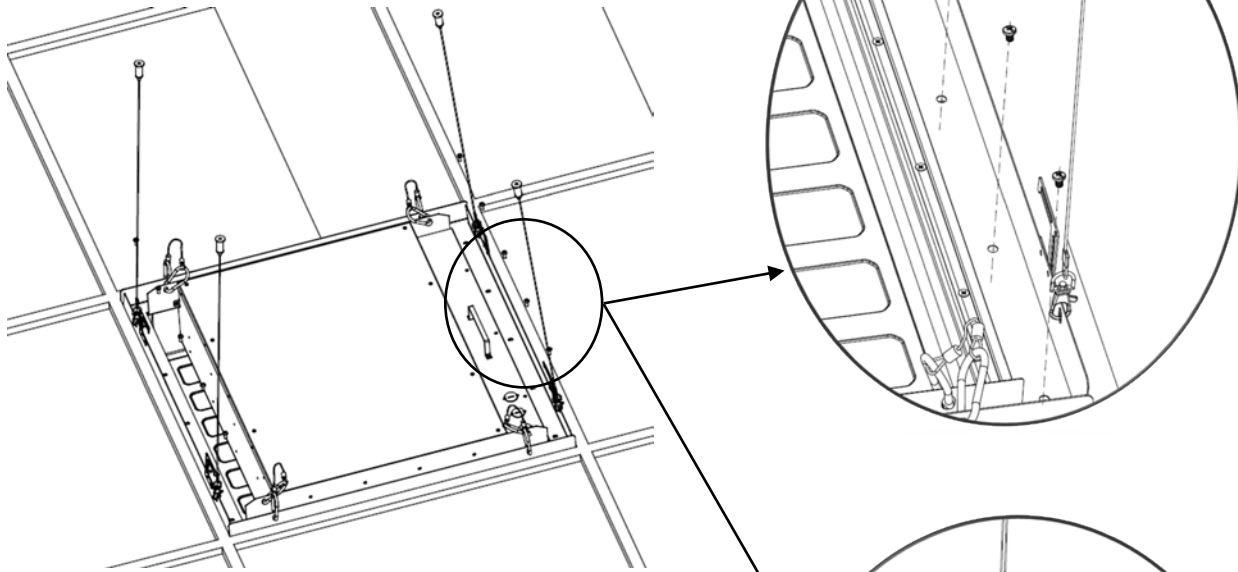
**Frame adjustment:** The Support frame is angled in to allow for the T-Grid hanging wires. If more space is needed between the support frame and the T-Grid to allow room for the wrapped hanging wire, the support frame can be bent in the area needed with pliers.

6. Raise up the main housing and use the clips to secure the other ends of the short safety wires to it. Then align the housing to the support frame, raise up and attach per step 7.

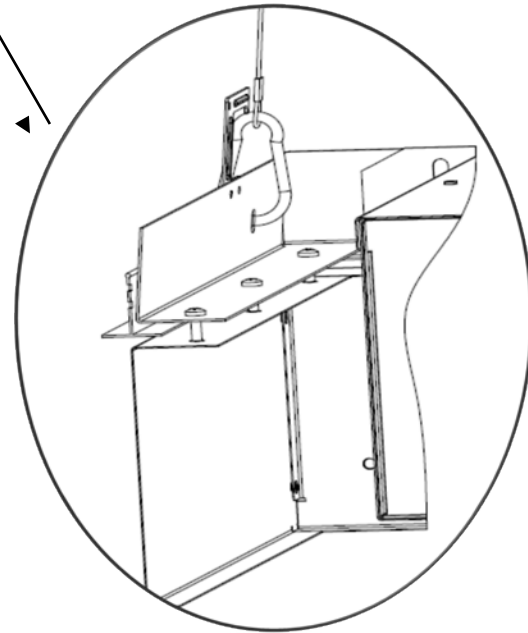


**INSTALLATION GUIDE** continued

7. Secure the UV Air Panel fixture to the support frame from the top by screws each side.



8. Make wiring connections per the WIRING INSTRUCTIONS on page 6.
9. Rotate the (4) earthquake proof hooks outward to engage with T-bar support grid.
10. Adjust the length/tightness by pulling the wire end per the HANGER WIRE INSTRUCTIONS on Page 7.  
Adjust the hanger wire tightness to support the frame and main housing fully.



## WIRING INSTRUCTIONS

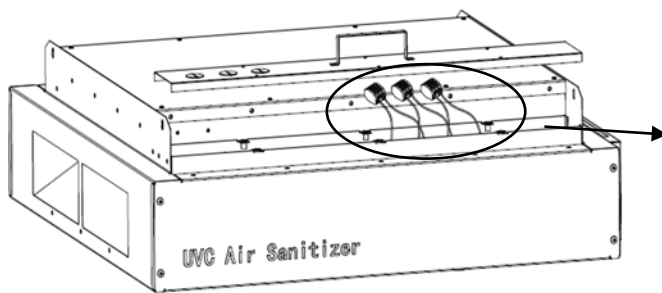
Make electrical connections as follows:

Black - Line

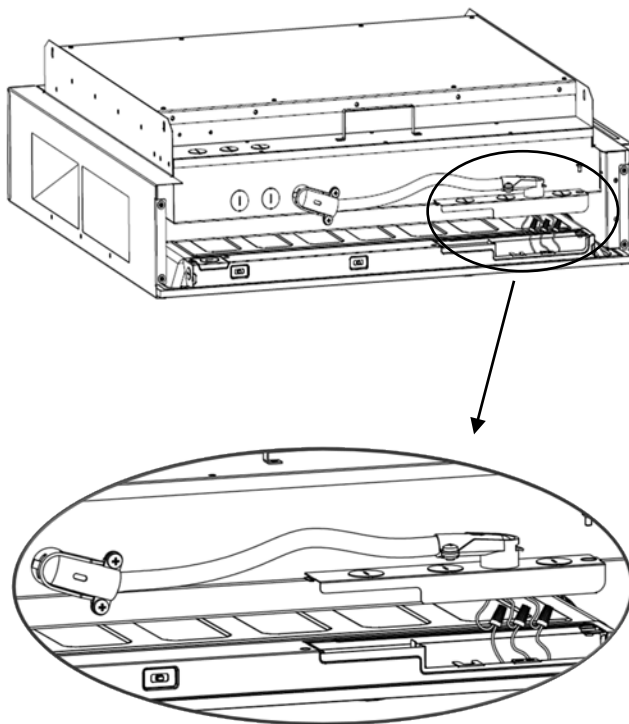
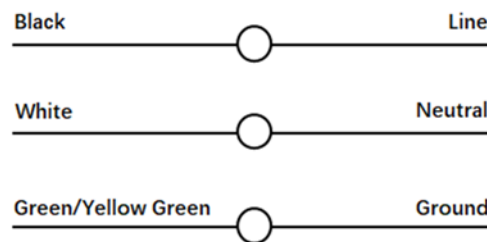
White - Neutral

Green/Yellow Green – Ground

**Note: Universal voltage 120~277VAC**



### Wire Connections



### Two Ways for Power Connection

1. Wire together with the Light Fixture (recommended) so that the UVC Air Sanitizer operates when the Light fixture is ON and is controlled by the wall switch.
2. Wire UVC Air Sanitizer separately from the Light fixture with a dedicated line and switch so it can be run 24/7 if desired.

#### **Note:**

The UVC Air Sanitizer has an ON/OFF power switch on the front of the unit.  
(The ON/OFF switch does not operate the Panel light. The panel light can be ON and the UVC Air Sanitizer can be ON or OFF)



## HANGER WIRE INSTRUCTIONS

1. Push the wire through one end, the wire comes out from one hole in the middle.
2. Push the wire through another end, the wire comes out from the other hole in the middle.
3. Pull the wire to shorten the length.
4. Push the ends to loosen the wire.

