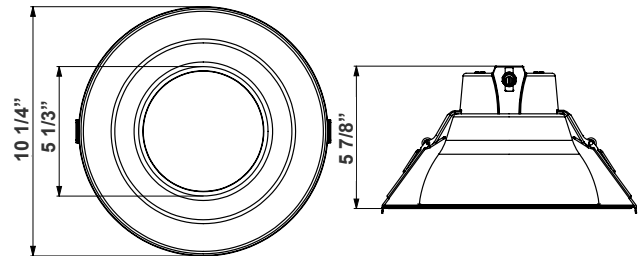


CRLE SERIES RESIDENTIAL LIGHTING

CRLE8-HO-34-52W-MCTP-WH
BUILDER SERIES COMMERCIAL RECESS LIGHT,
MCTP Multi Color Temperature & Multi Power/Wattage (Selectable)

Customer Name: _____
Project Name: _____
Note: _____ | Type: _____



10 1/4"(W) x 5 7/8"(H)

LED DOWNLIGHTS (SMOOTH TRIM) - 8", High-Output Ideal for New As Well As Old Residential And Commercial Constructions.

Features

- 8" Smooth Recessed Trim
- Multi CCT (Selectable Switch on the Back of the driver)
- Isolated Driver for Improved Thermal Management
- 5-Year Warranty
- Spun Aluminum with White Powder Coat Finish

Technical Specification

Electrical:

- Voltage: 120-277V AC
- Output Voltage: 36VDC
- Power Factor: >0.90
- Wattage: 34W/42W/52W
- Efficacy: 100 LPW
- Total Harmonic Distortion: ≤15 %

Mechanical:

- 2FT Flex Whip With Push-in Connector
- 16" Earthquake Safety Cable Incl.
- Mounting Options: Recessed
- Temperature Rating: Designed To Operate in Temperatures 113°F
- No IC-Rated
- Suitable For Damp Locations
- 5-Year Warranty

Lighting:

- MCTP: The Switch Is On The Light Engine
- Dimming: 0~10V Dimmable
- Total Lumens: 5200LM Max.
- Color Temperature: 3000K/4000K/5000K
- Color Rendering index: >80
- Beam Angle: 100°-110°
- Rated Life: 50,000 hrs

Applications:

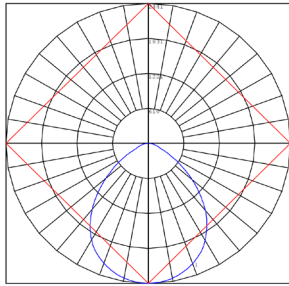
- LED recessed trims have been designed to be a flexible lighting solution for new construction applications, Ideal for closets, storage areas, attics, corridors, or general lighting solutions for residential and commercial applications

Other Models:

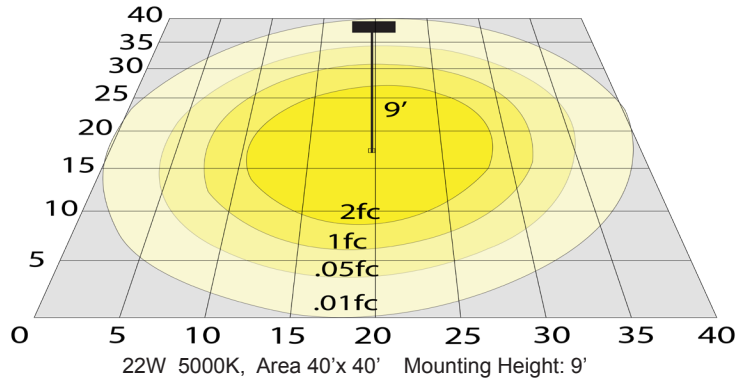
- 18W | 1800LM | CRLE6-7-18W-MCTP-WH



Photometrics: CRLE8-HO-34-52W-MCTP-WH



BUG Rating: B1-U1-G0



Other Views:



Side View



Front View



Back View

Performance Table: CRLE8-HO-34-52W-MCTP-WH

MODEL NO.	Wattage	Voltage	Lumens	Color Temp.	BUG Rating	LPW
CRLE8-HO-34-52W-MCTP-WH	34W	120-277V	3400LM	3000K	B1-U1-G0	100
	42W		4200LM	4000K		
	52W		5200LM	5000K		

Sample Ordering

Model	Model	Watt	Watt	Color Temp.	Finish					
CRLE8	-	HO	-	34	-	52W	-	MCTP	-	WH

Accessories:

Blank = No Option For Accessories
 CRLE-RI-TBAR-UNV = SNAP-IN COMM. RECESSED LIGHT UNIVERSAL TBAR PLATE
 CRLE-RI-UNV = SNAP-IN COMM. RECESSED LIGHT UNIVERSAL ROUGH-IN PLATE
 CRLE8-TRM-BK = 8" BLACK CLIP-ON TRIM
 CRLE8-TRM-BN = 8" BRUSHED NICKEL CLIP-ON TRIM

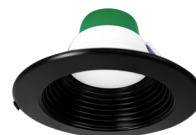
ACCESSORIES:



CRLE-RI-TBAR-UNV



CRLE-RI-UNV



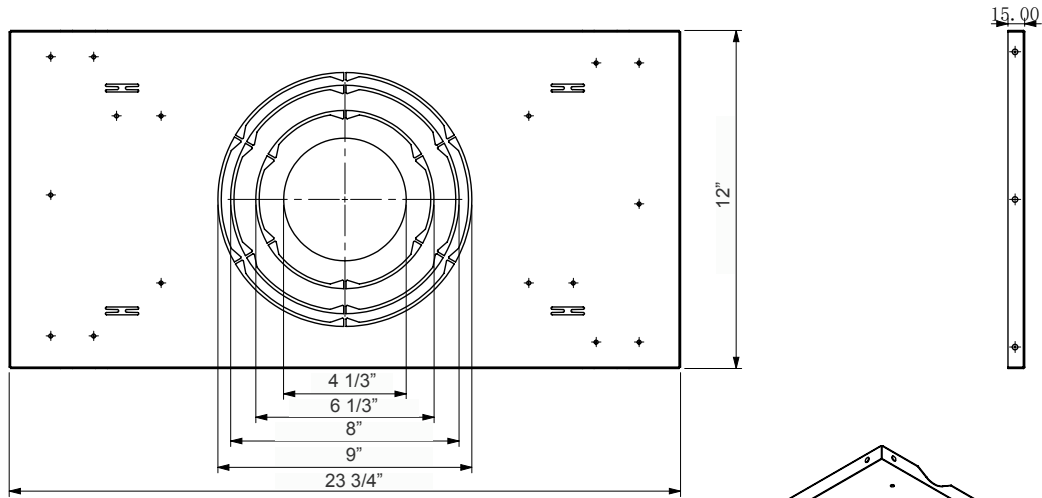
CRLE8-TRM-BK



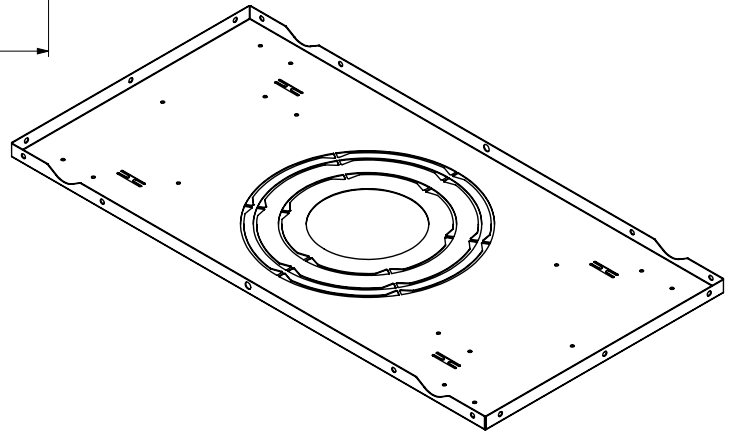
CRLE8-TRM-BN



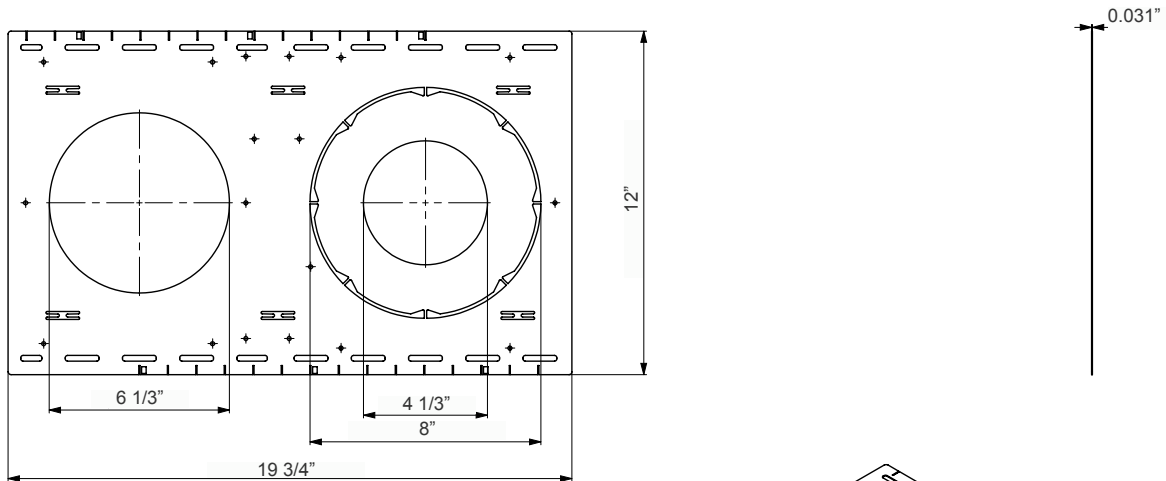
CRLE-RI-TBAR-UNV:



New Construction or Remodel Plate for T-grid Ceilings



CRLE-RI-UNV:



New Construction Plate for Stud/Joist

