

# CRLE SERIES RESIDENTIAL LIGHTING

CRLE6-HO-25-40W-MCTP-WH  
BUILDER SERIES COMMERCIAL RECESS LIGHT

**MCTP** Multi Color Temperature & Multi Power/Wattage (Selectable)

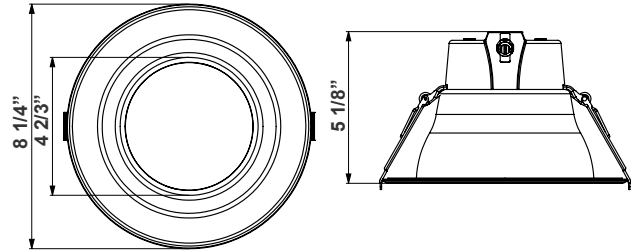


Customer Name: \_\_\_\_\_

Project Name: \_\_\_\_\_

Note: \_\_\_\_\_

Type: \_\_\_\_\_



8 1/4"(W) x 5 1/8"(H)

LED DOWNLIGHTS (SMOOTH TRIM) - 6" ROUND Ideal for New As Well As Old Residential And Commercial Constructions.

## Features

- 6" Smooth Recessed Trim
- Multi CCT (Selectable Switch on the Back of the driver )
- Isolated Driver for Improved Thermal Management
- 5-Year Warranty
- Spun Aluminum with White Powder Coat Finish

## Technical Specifications

### Electrical:

- Voltage: 120-277V AC
- Output Voltage: 36VDC
- Power Factor: >0.90
- Wattage: 25W/30W/40W
- Efficacy: 100 LM/W
- Total Harmonic Distortion: ≤15 %

### Mechanical:

- 2FT Flex Whip With Push-in Connector
- 16" Earthquake Safety Cable Incl.
- Mounting Options: Recessed
- Temperature Rating: Designed To Operate in Temperatures 113°F
- No IC-Rated
- Suitable For Damp Locations
- 5-Year Warranty

### Lighting:

- MCTP: The Switch Is On The Light Engine
- Dimming: 0~10V Dimmable
- Total Lumens: 4000LM Max.
- Color Temperature: 3000K/3500K/4000K
- Color Rendering index: >80
- Beam Angle: 100°-110°
- Rated Life: 50,000 hrs

### Applications:

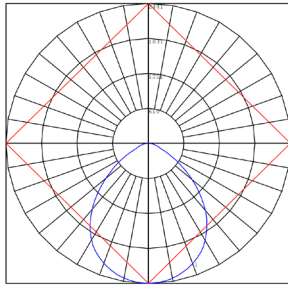
- LED recessed trims have been designed to be a flexible lighting solution for new construction applications, Ideal for closets, storage areas, attics, corridors, or general lighting solutions for residential and commercial applications

### Other Models:

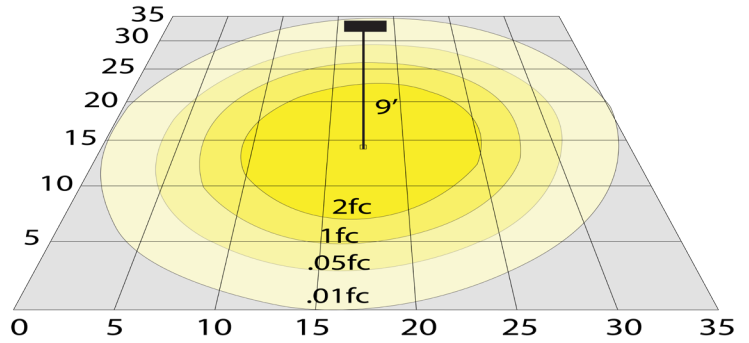
- 18W | 1800LM | CRLE6-7-18W-MCTP-WH



**Photometrics:** CRLE6-HO-25-40W-MCTP-WH



BUG Rating: B1-U1-G0



40W 5000K, Area 35'x 35' Mounting Height: 9'

**Other Views:**



Side View



Front View



Back View

**Performance Table:** CRLE6-HO-25-40W-MCTP-WH

MODEL NO.	Wattage	Voltage	Lumens	Color Temp.	BUG Rating	LPW
CRLE6-HO-25-40W-MCTP-WH	25W	120V	2500LM	3000K	B1-U1-G0	100
	30W		3000LM	4000K		
	40W		4000LM	5000K		

**Sample Ordering**

Model	Model	Watt	Watt	Color Temp.	Finish					
CRLE6	-	HO	-	7	-	18W	-	MCTP	-	WH

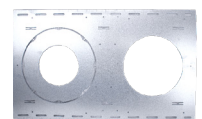
**Accessories:**

Blank = No Option For Accessories  
 CRLE-RI-TBAR-UNV = SNAP-IN COMM. RECESSED LIGHT UNIVERSAL TBAR PLATE  
 CRLE-RI-UNV = SNAP-IN COMM. RECESSED LIGHT UNIVERSAL ROUGH-IN PLATE  
 CRLE6-TRM-BK = 6" BLACK CLIP-ON TRIM  
 CRLE6-TRM-BN = 6" BRUSHED NICKEL CLIP-ON TRIM  
 RSL6-RI-13 = 6" ROUND ROUGH-IN PLATE, 13" LONG  
 RSL6-RI = 6" ROUND ROUGH-IN PLATE, 26" LONG

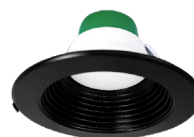
**ACCESSORIES:**



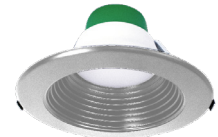
CRLE-RI-TBAR-UNV



CRLE-RI-UNV



CRLE6-TRM-BK



CRLE6-TRM-BN



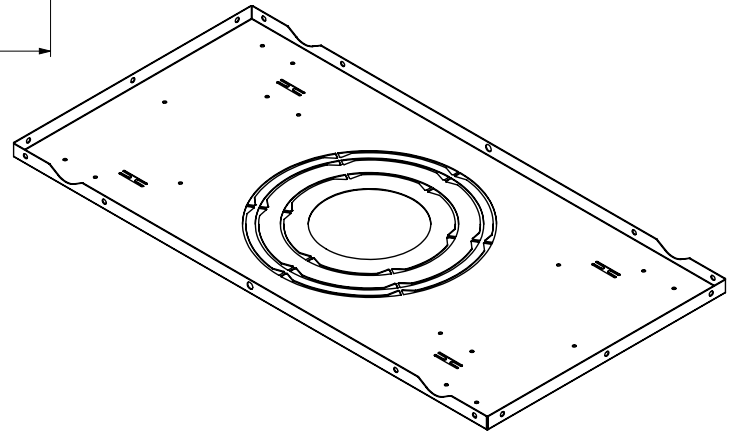
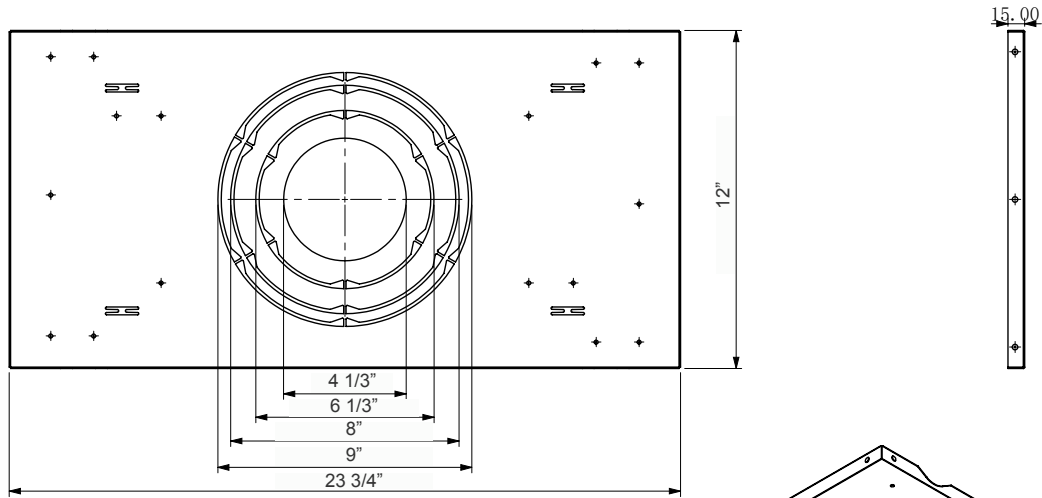
RSL6-RI-13  
6" Round Rough-in Plate,  
13" Long



RSL6-RI  
6" Round Rough-in Plate,  
26" Long

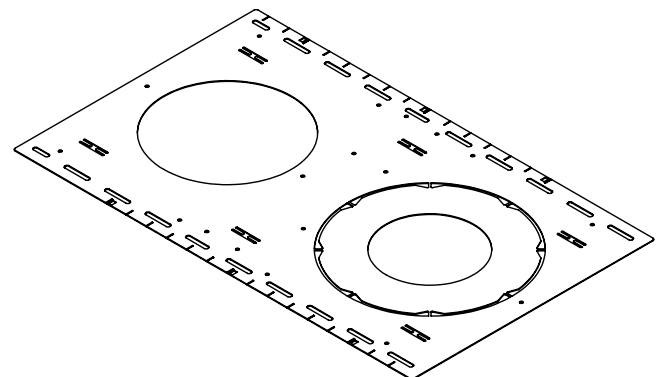
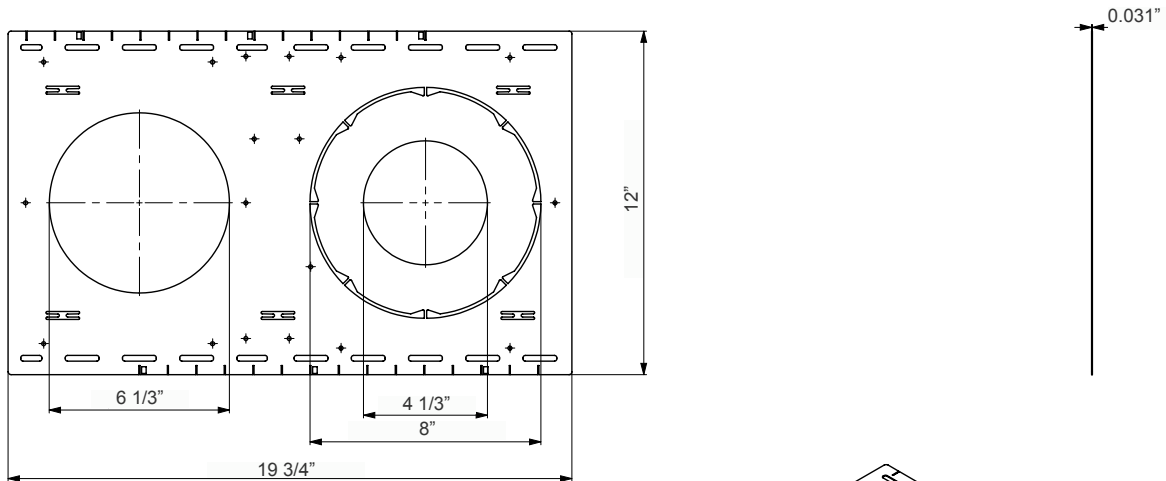


CRLE-RI-TBAR-UNV:



New Construction or Remodel Plate for T-grid Ceilings

CRLE-RI-UNV:



New Construction Plate for Stud/Joist

