

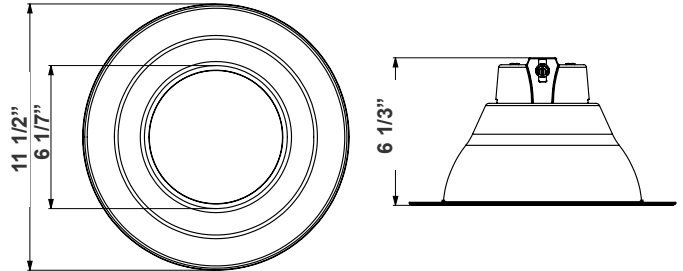
CRLE SERIES RESIDENTIAL LIGHTING

CRLE10-HO-26-40W-MCTP-WH
BUILDER SERIES COMMERCIAL RECESS LIGHT

MCTP Multi Color Temperature & Multi Power/Wattage (Selectable)



Customer Name: _____
Project Name: _____
Note: _____ | Type: _____



11 1/2"(W) x 6 1/3"(H)

LED DOWNLIGHTS (SMOOTH TRIM) - 10" ROUND Ideal for New As Well As Old Residential And Commercial Constructions.

Features

- 10" Smooth Recessed Trim
- Multi CCT (Selectable Switch on the Back of the driver)
- Isolated Driver for Improved Thermal Management
- 5-Year Warranty
- Spun Aluminum with White Powder Coat Finish

Technical Specifications

Electrical:

- Voltage: 120-277V AC
- Output Voltage: 36VDC
- Power Factor: >0.90
- Wattage: 26W/32W/40W
- Efficacy: 100 LPW
- Total Harmonic Distortion: ≤15 %

Mechanical:

- 2FT Flex Whip With Push-in Connector
- 16" Earthquake Safety Cable Incl.
- Mounting Options: Recessed
- Temperature Rating: Designed To Operate in Temperatures 113°F
- No IC-Rated
- Suitable For Damp Locations
- 5-Year Warranty

Lighting:

- MCTP: The Switch Is On The Light Engine
- Dimming: 0~10V Dimmable
- Total Lumens: 4000LM Max.
- Color Temperature: 3000K/4000K/5000K
- Color Rendering index: >80
- Beam Angle: 100°-110°
- Rated Life: 50,000 hrs

Applications:

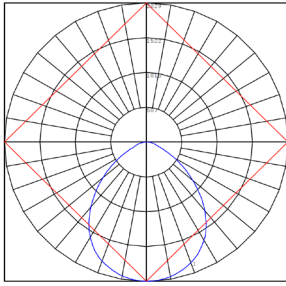
- LED recessed trims have been designed to be a flexible lighting solution for new construction applications, Ideal for closets, storage areas, attics, corridors, or general lighting solutions for residential and commercial applications

Other Models:

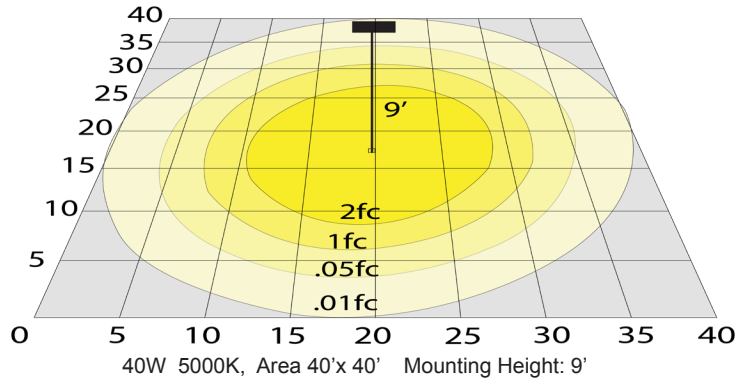
• 12W | 1200LM | CRLE4-5-12W-MCTP-WH • 18W | 1800LM | CRLE6-7-18W-MCTP-WH • 22W | 2200LM | CRLE8-10-22W-MCTP-WH



Photometrics: CRLE10-HO-26-40W-MCTP-WH



BUG Rating: B1-U1-G0



Other Views:



Side View



Front View



Back View

Performance Table: CRLE10-HO-26-40W-MCTP-WH

MODEL NO.	Wattage	Voltage	Lumens	Color Temp.	BUG Rating	LPW
CRLE10-HO-26-40W-MCTP-WH	26W	120-277V	2000LM	3000K	B1-U1-G0	100
	32W		2500LM	4000K		
	40W		3200LM	5000K		

Sample Ordering

Model	Model	Watt	Watt	Color Temp.	Finish
CRLE10	- HO	- 26	- 40W	- MCTP	- WH

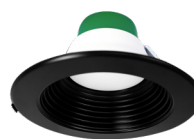
Accessories:

Blank = No Option For Accessories
 CRLE-RI-TBAR-UNV = SNAP-IN COMM. RECESSED LIGHT UNIVERSAL TBAR PLATE
 CRLE10-TRM-BK = 10" BLACK CLIP-ON TRIM
 CRLE10-TRM-BN = 10" BRUSHED NICKEL CLIP-ON TRIM

ACCESSORIES:



CRLE-RI-TBAR-UNV



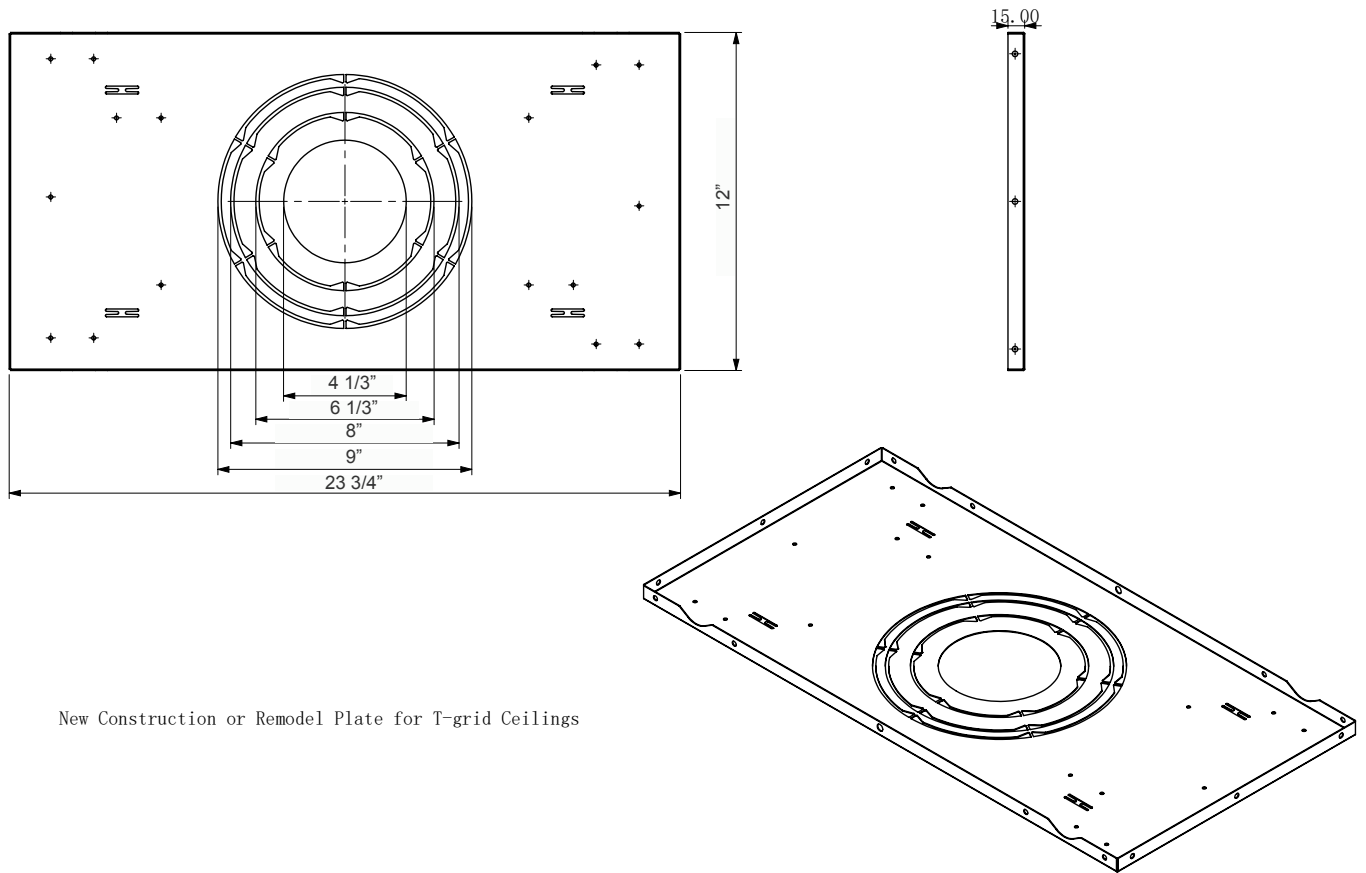
CRLE10-TRM-BK



CRLE10-TRM-BN



CRLE-RI-TBAR-UNV:



New Construction or Remodel Plate for T-grid Ceilings

