

# CRLC SERIES

COMMERCIAL INDOOR LIGHTING

# WESTGATE

THE FUTURE IS HERE...AND IT'S QUITE BRIGHT!

CRLC6-40W-MCTP-A-D

CRLC6-40W-MCTP-A-D-WH

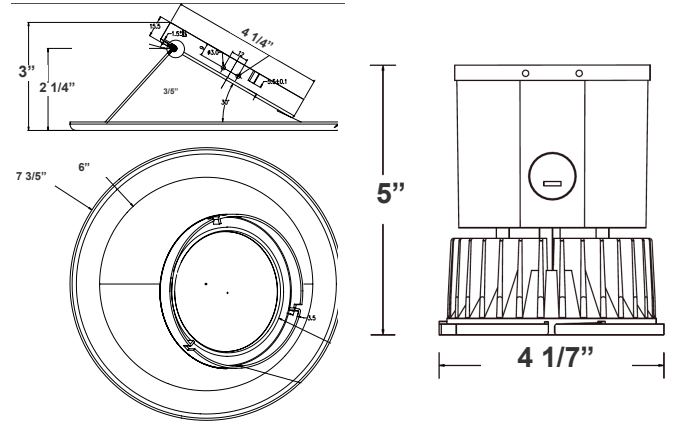
6" LED COMMERCIAL RECESSED LIGHT

Customer Name: \_\_\_\_\_

Project Name: \_\_\_\_\_

Note: \_\_\_\_\_

Type: \_\_\_\_\_



8" (H) X 4 1/4" (W) X 7 3/5" (D)

Ideal for hotel, offices, retail outlets, restaurant, parking garages, conference room, education facilities and more.

## Features

- 6" Haze & White Finish TRIM
- MCT:P The switch is on the light engine
- Mounting Options: Recessed
- 5-Year Warranty
- Lifespan: 50,000 hrs.

## Technical Specifications

### Electrical:

- Voltage: 120-277VAC 50/60Hz
- Wattage: 27W/34W/40W
- Power factor: >0.90
- Efficacy: 80 LPW

### Mechanical:

- 4" Haze & White Finish TRIM
- Mounting Options: Recessed
- Temperature Rating: Designed to operate in temperatures 113°F
- No IC-Rated
- Suitable for Damp Locations
- 5-Year Warranty

### Lighting:

- MCTP: The switch is on the light engine
- Dimming: 0~10V Dimmable
- Total lumens: 3200LM Max.
- Color temperature: 3000K/3500K/4000K
- Color rendering index: >80
- Lifespan: 50,000 hrs.

### Applications:

- Ideal for hotel, offices, retail outlets, restaurant, parking garages, conference room, education facilities and more.

### Other Models:

- 40W | 3200LM | CRLC6-40W-MCTP-A-D
- 40W | 3200LM | CRLC6-40W-MCTP-A-D-WH

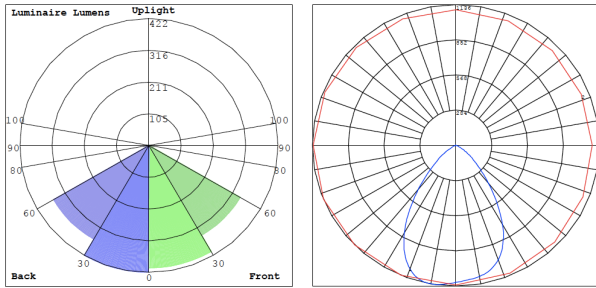


Phone: (877) 805-2252 | Fax: (877) 805-2252  
www.westgatemfg.com

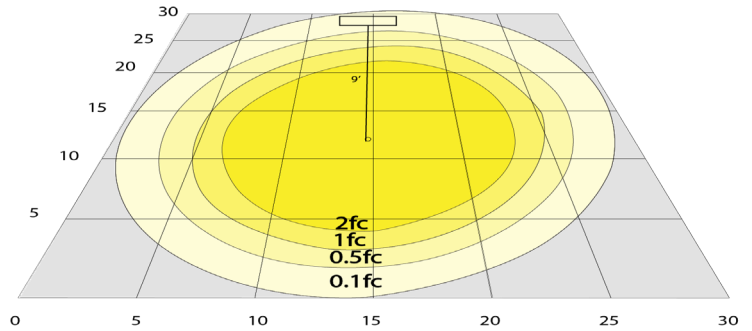


WG-02172022

# Photometrics: CRLC6-40W-MCTP-A-D



BUG Rating: B1-U1-G0



20W 5000K, Area 30" x 30" Mounting Height: 9'

## Other Views:

Hazel



CRLC-EGN-40W-MCTP-D



CRLC-TRM-6A



CRLC6-40W-MCTP-A-D

White



CRLC-EGN-40W-MCTP-D



CRLC-TRM-6A-WH



CRLC6-40W-MCTP-A-D-WH

## Performance Table: CRLC6-40W-MCTP-A-D

MODEL NO.	Wattage	Voltage	Lumens	Color Temp.	BUG Rating	LPW
CRLC6-40W-MCTP-A-D	27W	120-277V	2160LM	3000K	B1-U1-G0	80
	34W		2720LM	3500K		
CRLC6-40W-MCTP-A-D-WH	40W		3200LM	4000K		

## Sample Ordering

Model    Watt    Color Temp.    Dimming    Housing

CRLC6 - 40W - MCTP - A - D -

Blank  
WH = WHITE

### Accessory:

Blank = No Option For Accessories  
 RSL6-RI = 6" ROUND ROUGH-IN PLATE, 26" LONG  
 RSL6-RI-13 = 6" ROUND ROUGH-IN PLATE, 13" LONG

### Factory-Installed Option:

Blank = No Option For Accessories  
 OPT-EM-HB1EXT = EXTERNAL EMERGENCY BACK UP BATTERY

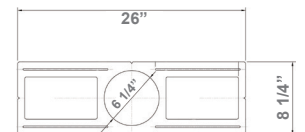
### Example:

- 1. CRLC6-40W-MCTP-A-D (FOR 40W CRLC6 MCTP 120-277V)
- 1. CRLC6-40W-MCTP-A-D (FOR 40W CRLC6 MCTP 120-277V)  
OPT-EM-HB1EXT (EXTERNAL EMERGENCY BACK UP BATTERY)

### Accessory:



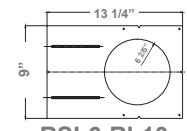
RSL6-RI  
6" ROUND ROUGH-IN PLATE, 26" LONG



RSL6-RI  
26"(W) x 8 1/4"(H)



RSL6-RI-13  
6" ROUND ROUGH-IN PLATE, 13" LONG



RSL6-RI-13  
13 1/4"(W) x 9"(H)

### Factory-Installed Option:



OPT-EM-HB1EXT  
EXTERNAL EMERGENCY BACK UP BATTERY

