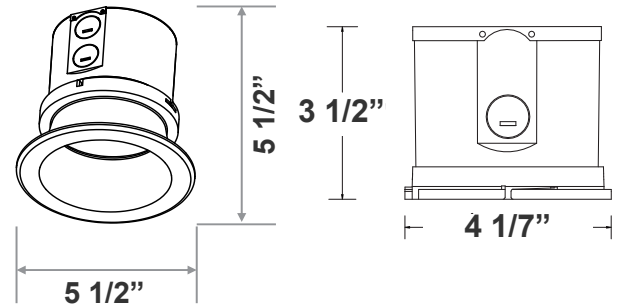


# CRLC SERIES COMMERCIAL INDOOR LIGHTING

**WESTGATE**  
THE FUTURE IS HERE...AND IT'S QUITE BRIGHT!

CRLC4-20W-MCT-D  
CRLC4-20W-MCT-D-WH  
4" LED COMMERCIAL RECESSED LIGHT

Customer Name: \_\_\_\_\_  
Project Name: \_\_\_\_\_  
Note: \_\_\_\_\_ | Type: \_\_\_\_\_



**7"(L) X 5 1/2" (D)**

Ideal for hotel, offices, retail outlets, restaurant, parking garages, conference room, education facilities and more.

## Features

- 4" Haze & White Finish TRIM
- MCT: The Switch Is On The Light Engine
- Mounting Options: Recessed
- 5-Year Warranty
- Lifespan: 50,000 hrs.

## Technical Specifications

### Electrical:

- Voltage: 120-277VAC 50/60Hz
- Wattage: 10W/15W/20W
- Power Factor: >0.90
- Efficacy: 85 LPW

### Mechanical:

- 4" Haze & White Finish TRIM
- Mounting Options: Recessed
- Temperature Rating: Designed To Operate In Temperatures 113°F
- Housing Not Required. Two Spring Clips To Hold The Fixture In Place
- No IC-Rated
- Suitable for Damp Locations
- 5-Year Warranty

### Lighting:

- MCT: The Switch Is On The Light Engine
- Dimming: 0~10V Dimmable
- Total lumens: 1720LM
- Color Temperature: 3000K/4000K/5000K
- Color Rendering index: >80
- Lifespan: 50,000 hrs.

### Applications:

- Ideal for hotel, offices, retail outlets, restaurant, parking garages, conference room, education facilities and more.

### Other Models:

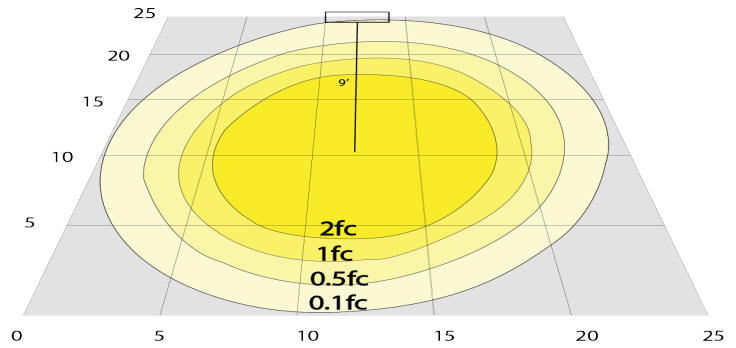
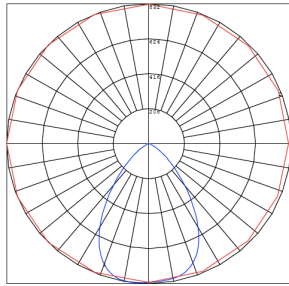
- 20W | 1720LM | CRLC4-20W-MCTP-A-D
- 20W | 1720LM | CRLC4-20W-MCTP-A-D-WH



Phone: (877) 805-2252 | Fax: (877) 805-2252  
www.westgatemfg.com



# Photometrics: CRLC4-20W-MCTP-D



BUG Rating: B1-U1-G0

20W 5000K, Area 25" x 25" Mounting Height: 9'

## Other Views:

Hazel



CRLC-EGN-20W-MCTP-D



CRLC-TRM-4



CRLC4-20W-MCTP-D

White



CRLC-EGN-20W-MCTP-D



CRLC-TRM-4-WH



CRLC4-20W-MCTP-D-WH

## Performance Table: CRLC4-20W-MCTP-D

MODEL NO.	Wattage	Voltage	Lumens	Color Temp.	BUG Rating	LPW
CRLC4-20W-MCTP-D	20W	120-277V	1720LM	3000K	B1-U1-G0	85
CRLC4-20W-MCTP-D-WH				4000K		
				5000K		

## Sample Ordering

Model Watt Dimming Housing  
**CRLC4 - 20W - MCTP - D - [ ]**

Blank  
 WH = WHITE

### Accessory:

[ ]

Blank = No Option For Accessories  
 RSL4-RI = 4" ROUND ROUGH-IN PLATE, 26" LONG  
 RSL4-RI-13 = 4" ROUND ROUGH-IN PLATE, 13" LONG

### Factory-Installed Option:

[ ]

Blank = No Option For Accessories  
 OPT-EM-HB1EXT = EXTERNAL EMERGENCY BACK UP BATTERY

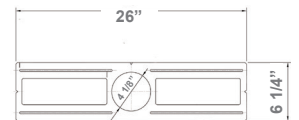
### Example:

- 1. CRLC4-20W-MCTP-D (FOR 20W CRLC4 MCTP 120-277V)
- 1. CRLC4-20W-MCTP-D OPT-EM-HB1EXT (FOR 20W CRLC4 MCTP 120-277V) (EXTERNAL EMERGENCY BACK UP BATTERY)

### Accessory:



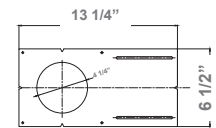
RSL4-RI  
 4" ROUND ROUGH-IN PLATE, 26" LONG



RSL4-RI  
 26"(W) x 6 1/4"(H)



RSL4-RI-13  
 4" ROUND ROUGH-IN PLATE, 13" LONG



RSL4-RI-13  
 13 1/4"(W) x 6 1/2"(H)

### Factory-Installed Option:



OPT-EM-HB1EXT  
 EXTERNAL EMERGENCY BACK UP BATTERY

