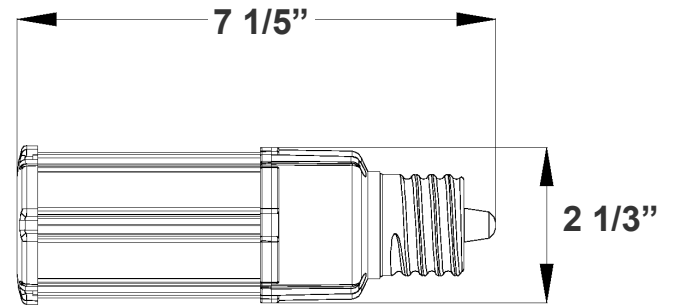


# CL-EHL SERIES Industrial Lighting

CL-EHL-27W-30K-E26  
CL-EHL-27W-50K-E26



Customer Name: \_\_\_\_\_  
Project Name: \_\_\_\_\_  
Note: \_\_\_\_\_ | Type: \_\_\_\_\_



7 1/5"(H) x 2 1/3"(W)

LED Corn Lamp suitable for supermarkets, warehouses, garages, home, offices, hotels, hospitals, schools, high bay retrofiting

## Features

- E26 medium Base
- 5-Year Warranty
- Housing: PC + Aluminum
- 50,000 Hours Rated Life

## Technical Specifications

### Electrical:

- Voltage: 120-277V AC 50/60Hz
- Wattage: 27W
- Power Factor: >0.9
- AC Direct / Bypass Existing Ballast
- THD: ≤20%
- Efficacy: 125/155 LPW

### Mechanical:

- PC and Aluminum Housing and Sealant Pouring for Whole Driver
- Meet 4KV surge immunity level
- Operating temperature: -40°F to 176°F
- Minimum Enclosed Space Dimension: 11.8"(H) x 7.1"(D) and 593 Cubic in.
- Suitable for Damp Location

### Lighting:

- LED SMD type: Edison 2835
- Total Lumens: 3375LM/4185LM
- Color temperature: 3000K/5000K
- Color Rendering Index: CRI ≥ 80
- Beam angle: 360°
- Replacement Range: 50-70MH

### Applications:

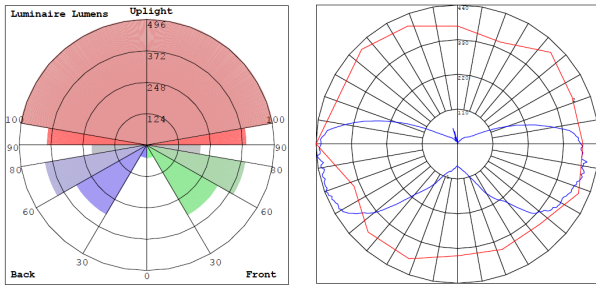
- LED Corn Lamp suitable for supermarkets, warehouses, garages, home, offices, hotels, hospitals, schools, highbay retrofiting

### Other Models:

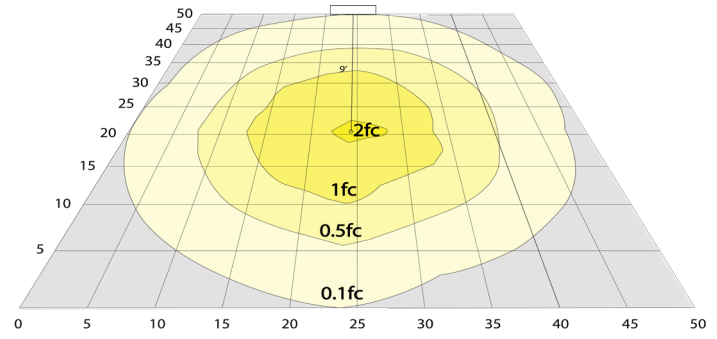
- |                                      |  |  |
|--------------------------------------|--|--|
| • 12W   1500LM   CL-EHL-12W-30K-E26  | • 18W   2250LM   CL-EHL-18W-30K-E26    | • 36W   4500LM   CL-EHL-36W-30K-E26    |
| • 12W   1860LM   CL-EHL-12W-50K-E26  | • 18W   2610LM   CL-EHL-18W-50K-E26    | • 36W   5580LM   CL-EHL-36W-50K-E26    |
| • 36W   4500LM   CL-EHL-36W-30K-E39  | • 45W   5625LM   CL-EHL-45W-30K-E39    | • 54W   6750LM   CL-EHL-54W-30K-E39    |
| • 36W   5580LM   CL-EHL-36W-50K-E39  | • 45W   6975LM   CL-EHL-45W-50K-E39    | • 54W   8370LM   CL-EHL-54W-50K-E39    |
| • 75W   9375LM   CL-EHL-75W-30K-E39  | • 100W   12500LM   CL-EHL-100W-30K-E39 | • 120W   15600LM   CL-EHL-120W-30K-E39 |
| • 75W   11625LM   CL-EHL-75W-50K-E39 | • 100W   15500LM   CL-EHL-100W-50K-E39 | • 120W   17400LM   CL-EHL-120W-50K-E39 |



## Photometrics: CL-EHL-27W-E26



BUD Rating: B1-U3-G2



27W, 5000K Area 50'x 50' Mounting Height: 9'

## Other Views:



Side View



Front View

## Performance Table: CL-EHL-27W-E26

MODEL NO.	Wattage	Voltage	Lumens	Color Temp.	BUG Rating	LPW
CL-EHL-27W-30K-E26	27W	120~277V	3375	3000K	B1-U3-G2	125
CL-EHL-27W-50K-E26	27W	120~277V	4185	5000K	B1-U3-G2	155

## Sample Ordering

Model Style Wattage Color Temp. Base

CL - EHL - 27W -  - E26

30K = 3000K  
50K = 5000K

## Accessory:

Blank = No Option For Accessories  
E26-ENLARGER = ENLARGES E26 BULB TO BE USED IN E39 SOCKET

## ACCESSORY:



E26-ENLARGER

## Example:

1. CL-EHL-27W-30K-E26 (FOR CL EHL 27W FIXTURE 120-277V)
2. CL-EHL-27W-30K-E26 (FOR CL EHL 27W FIXTURE 120-277V)  
E26-ENLARGER (ENLARGES E26 BULB TO BE USED IN E39 SOCKET)

