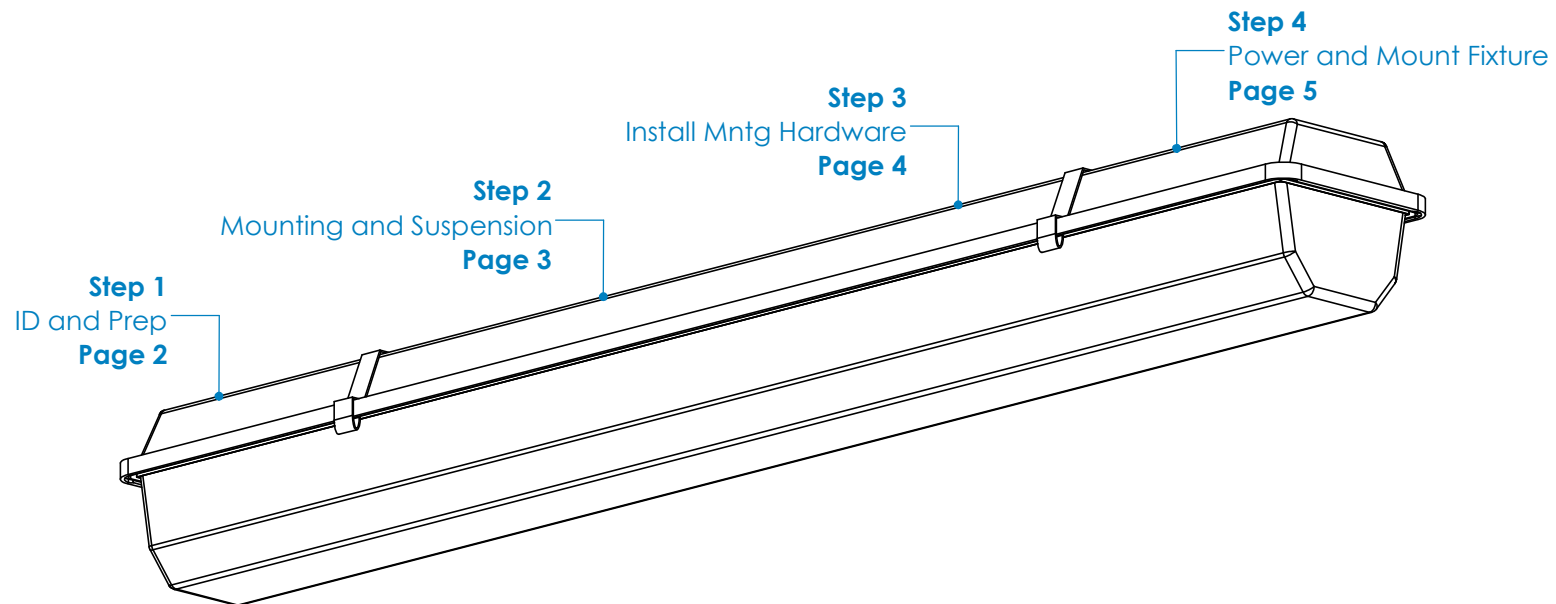


# CITE-Surface Mount Installation Instructions

## Overview

### WARNINGS

- This product must be installed in accordance with all applicable codes by a person familiar with the product.
- Each fixture must be **properly supported** during install.
- **DO NOT** join fixtures on the floor prior to lifting, or damage will occur.
- **Before beginning installation**, review our complete list of warnings by visiting [www.saylite.com/warnings](http://www.saylite.com/warnings).



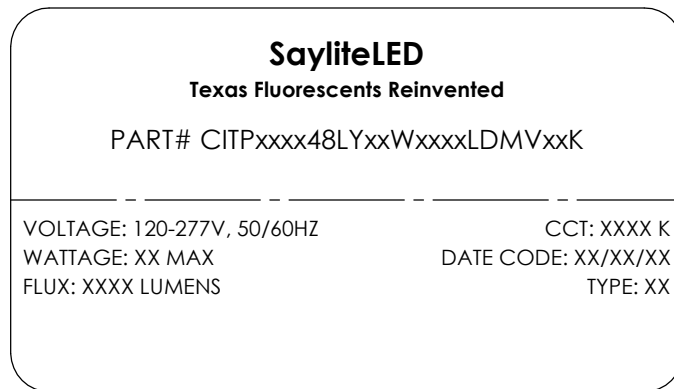
Your particular build may vary.

2020© Saylite | 2055 Luna Road, Suite 142 Carrollton, Texas 75006 | [www.saylite.com](http://www.saylite.com)

# CITE-Surface Mount Installation Instructions

## Step 1 - Identification and Preparation

### A. Identify Fixtures

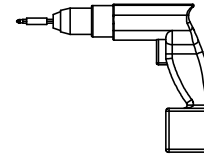


- Use labels found on the box and inside the fixture bodies to identify bodies.
- **NOTE:** Locations of labels can vary.
- Remove all fixtures from their boxes.
- Organize fixtures based on their labels at the install location.

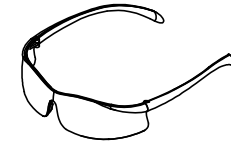
### B. Tools Needed



Screwdrivers



Drill



Safety Glasses

- Always use proper safety equipment when installing fixtures.
- Tools shown are recommended for standard install. Tools needed may vary based on actual install location conditions.

### Kitted Hardware

- Saylite has provided the items listed here, with their Saylite part numbers listed. These items can be found in separate boxes shipped with the fixture.
- Ensure all parts are accounted for and set them aside until needed.
- Any additional hardware needed for this installation will be provided by others.

# CITE-Surface Mount Installation Instructions

## Step 2 - Mounting and Suspension

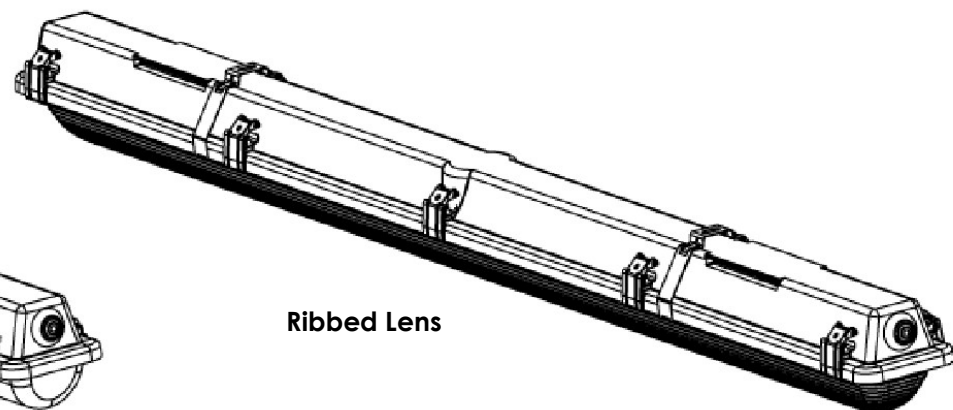
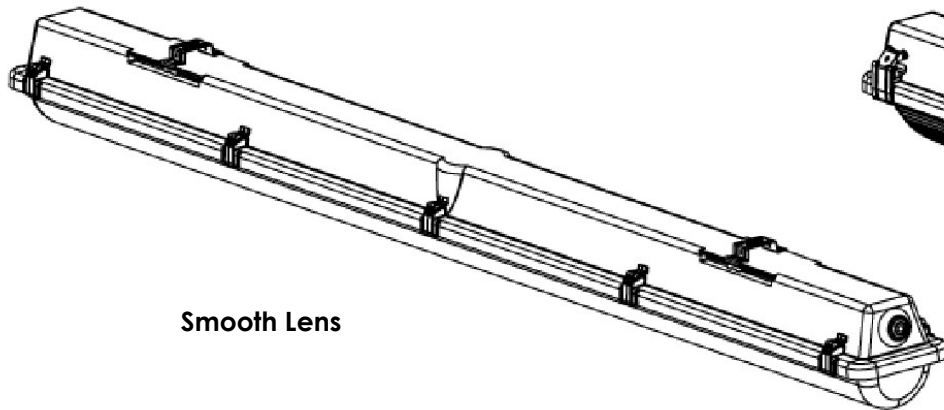
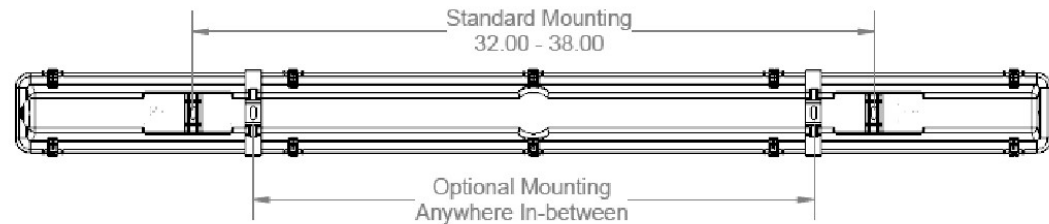
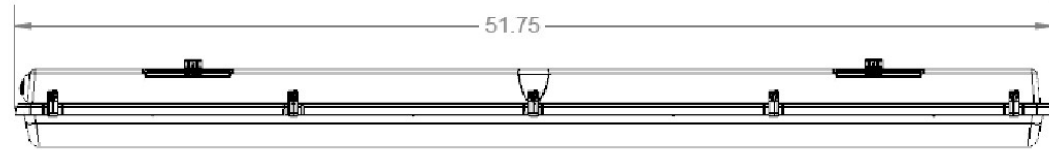
### Mounting

#### Drywall or other hard surfaces - Anchored Surface Mount Brackets

- Install mounting brackets at desired locations.
- Ensure mounting brackets are secure.
- Prepare fixture for mounting.

Other hard surfaces include: wood, sheet metal panels, steel beams, concrete or masonry. Use hardware appropriate for each surface and material type.

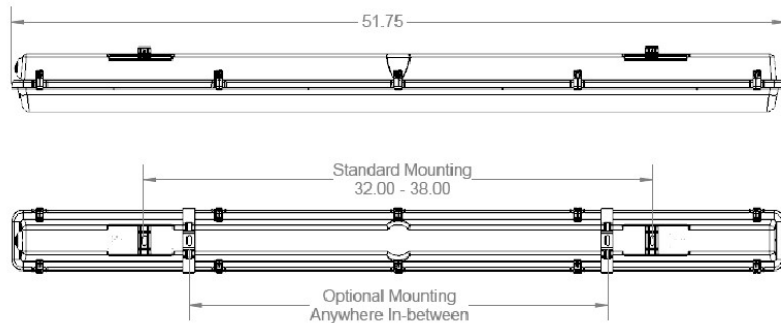
Refer to Assembly Drawings and building plans to determine exact mounting, suspension points, and power feed locations.



# CITE-Surface Mount Installation Instructions

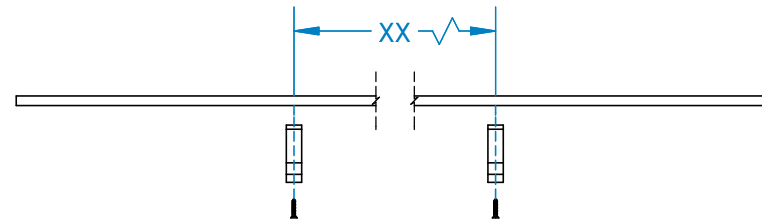
## Step 3 - Install Mounting Hardware

### A. Transfer Measurements



- Note the spacing of the fixture mounting hardware. This instruction guide will show standard mounting hardware, dimensions will vary according to your fixture.
- Transfer the dimensions to the mounting surface.

### B. Secure Mounting Hardware



- Secure the mounting hardware to the mounting surface at desired mounting locations.
- Ensure the mounting hardware is properly secured to the mounting surface and can withstand the weight of the fixture.

# CITE-Surface Mount Installation Instructions

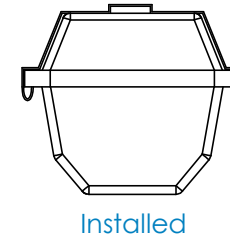
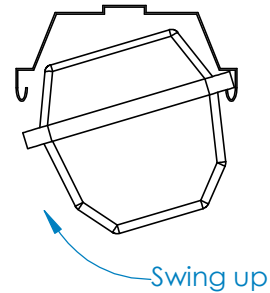
## Step 4 - Power and Install Fixture

### A. Connect Fixture Wiring

WIRING LEGEND		
BLACK	HOT	Line Voltage
WHITE	NEUTRAL	Line Voltage
GREEN	GROUND	
GRAY	DIMMING	0-10V DC
VIOLET	DIMMING	0-10V DC

- Wire fixtures to the incoming power supply using UL approved connectors.
- For dimming option, refer to wiring legend above.
- Use UL approved connectors only. Follow all local, state and national codes.

### B. Install Fixture



- First install one side of the fixture to the installed mounting straps/brackets.
- Ensure the fixture is correctly hung on the hooked end of the mounting straps/brackets.
- Swing the free end of the fixture upwards and snap-in the opposite side of the fixture to the mounting straps/brackets. Ensure the fixture is secure.
- Installation is now complete.