



WAREHOUSE-LIGHTING.COM
INDUSTRIAL AND COMMERCIAL
LIGHTING MFR SINCE 2003

Basket Troffer G4 Installation Guide

⚠ WARNING

- To reduce the risk of death, personal injury or property damage from fire, electric shock, falling parts, cuts/abrasions, and other hazards read all warnings and instructions included with and on the fixture box and all fixture labels.
- Before installing, servicing, or performing routine maintenance upon this equipment, follow these general precautions.
- Commercial installation, service and maintenance of luminaires should be performed by a qualified licensed electrician.
- For the installation: If you are unsure about the installation or maintenance of the luminaires, consult a qualified licensed electrician and check your local electrical code.
- To prevent wiring damage or abrasion, do not expose wiring to edges of sheet metal or other sharp objects.
- Do not make or alter any open holes in an enclosure of wiring or electrical components during kit installation.

⚠ WARNING

- Turn off electrical power at fuse or circuit breaker box before wiring fixture to the power supply.
- Turn off the power when you perform any maintenance.
- Verify that supply voltage is correct by comparing it with the luminaire label information.
- All wiring connections should be capped with UL approved wire connectors.

⚠ CAUTION

- Avoid direct eye exposure to the light source while it is on.
- Account for small parts and destroy packing material, as these may be hazardous to children.
- Risk of burn. Disconnect power and allow fixture to cool before changing bulb or handling fixture.

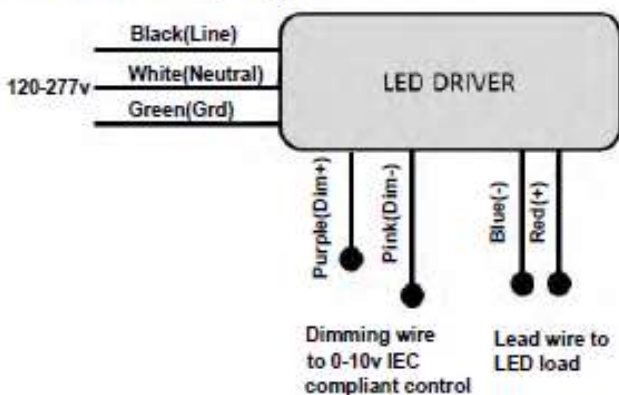
NOTICE: Green ground screw provided in proper location. Do not relocate.

NOTICE: Minimum 90° supply conductors.

NOTICE: Specifications and dimensions subject to change without notice.

NOTICE: Suitable for Dry or Damp location, Type IC.

General Wiring Diagram





INSTRUCTIONS:

Always turn off the power supply from main circuit breaker first!

Figure 1

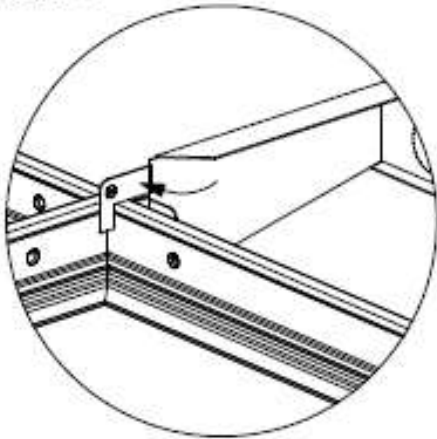


Figure 2

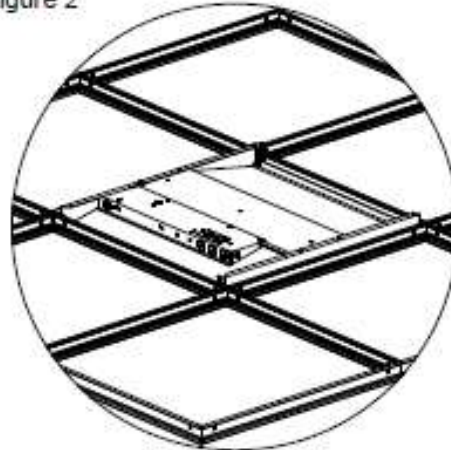


Figure 3

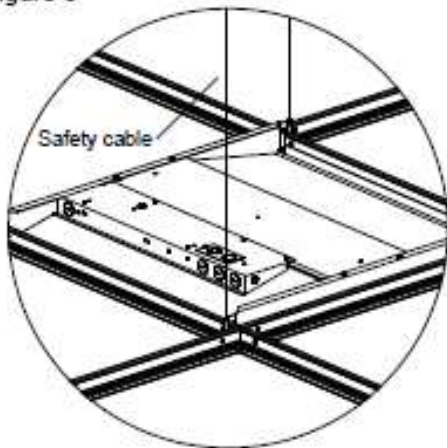
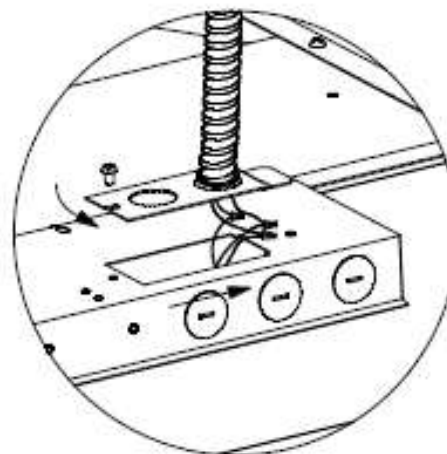


Figure 4



Installation Steps:

Figure 1: Bend out mounting tab 90 degrees on each corner.

Figure 2: Lay fixture into T-gird grid.

Figure 3: Use hanger wire to tie off appropriately in accordance with local building code.

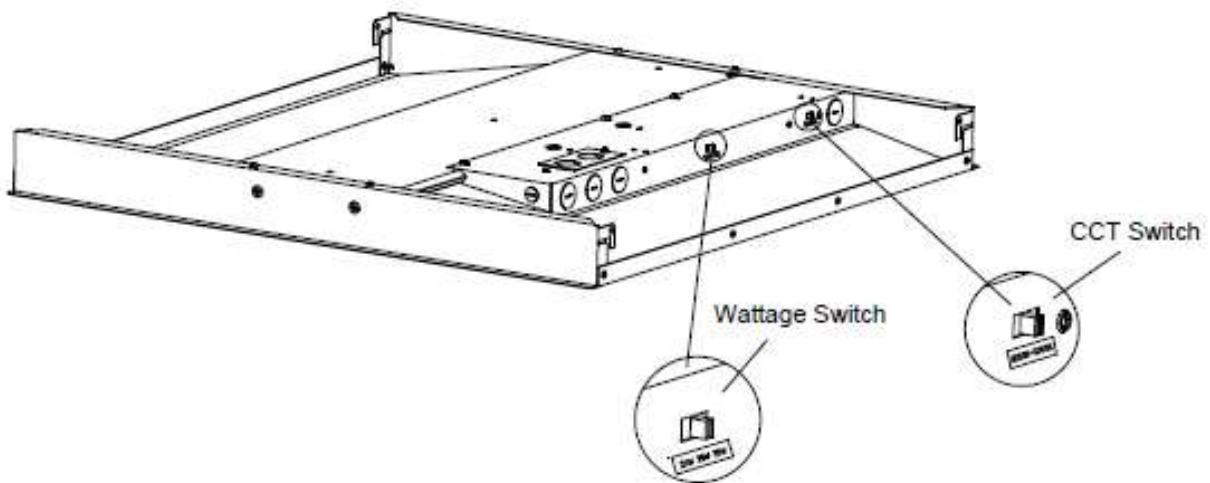
Figure 4: Install conduit containing the line, neutral, and ground conductors to the knockout of the cover plate. Make all electrical connections to the fixture. Attach the wiring access cover plate.



WAREHOUSE-LIGHTING.COM
INDUSTRIAL AND COMMERCIAL
LIGHTING MFR SINCE 2003

Basket Troffer G4 Installation Guide

Field-Adjustable Wattage & CCT



The end users may adjust the color temperature and lumen output respectively by the two DIP switch. Each DIP switch is accommodated with 3 options (left, middle and right), corresponding to 3 color temperatures and 3 powers respectively, which can perform the desired color temperature and lumen output combination.

Factory Settings: 5000K, 30W

1. DIP switches are located onto the side of the fixture.
2. Select a wattage and color temperature by sliding switch left or right respectively to the desired value.