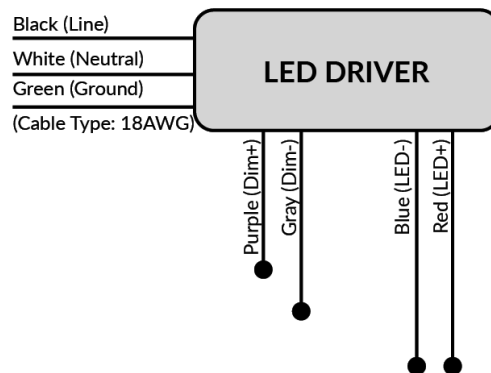




⚠ WARNING

- To avoid the risk of fire, explosion, or electric shock, this product must be installed in accordance with the applicable installation code by a person familiar with the construction and operation of the product and the hazards involved.
- Be certain electrical power is OFF before and during installation and maintenance. It is recommended that prior to installation the main breaker controlling the desired location for the fixture be turned off.
- The luminaire must be connected to a wiring system with an equipment-grounding conductor.
- Ensure the supply voltage is the same as the rated luminaire voltage.
- Inspect each fixture for any signs of damage before beginning installation; do NOT install any fixture that is damaged.
- All wiring should be performed by a qualified technician and according to the appropriate local electrical code. Wear gloves when disassembling fixture.
- Locate a position to install the light fixture. The selected location must not hinder ventilation to the fixture unless product specifications indicate otherwise.

General Wiring Diagram



Wiring

The fixture comes pre-assembled from the factory. Depending on customer needs, the lighting fixture will either come with or without an installed power cord.

Pre-installed power cord

- Make the appropriate wire connections between the cord and the power source. All wire connections should be completed using approved/appropriate wire connections according to all applicable electrical codes.
- Wires must not be exposed or frayed. Inspect wires for any signs of damage.

NO pre-installed power cord

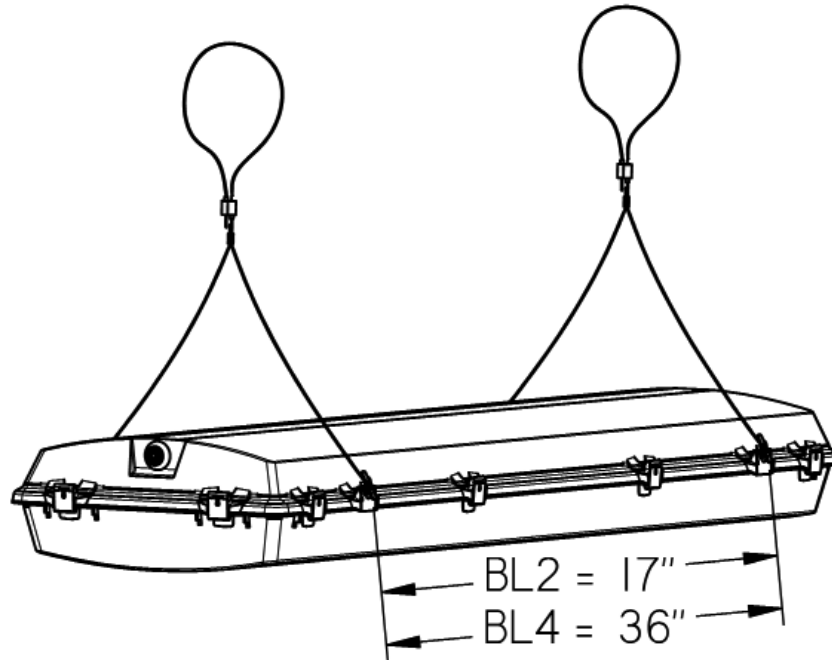
If there is no pre-installed power cord with the fixture, access to the internal components will be needed to make the appropriate wire connections.

1. Remove the lens by locating and releasing the latches holding the lens to the housing. The number of latches vary by fixture size; the BL2 has 16 and the BL4 has 12. Support the lens while releasing the latches to avoid dropping the lens.
2. The LED tray is held in place using 4 clips, one in each corner. On one side of the fixture, push two clips apart so that the LED tray swings down, hinged about the remaining two clips.
3. Run the external power line wires through the end of the housing and make the appropriate wire connections. All wire connections should be completed using appropriate wire connections and according to local electrical code.
4. Use appropriate parts/accessories to ensure the housing wire port is sealed to prevent water/dust intrusion.
5. Inspect the closed cell polyurethane gasket for any gaps or damage.
6. Reattach the LED tray and lens.



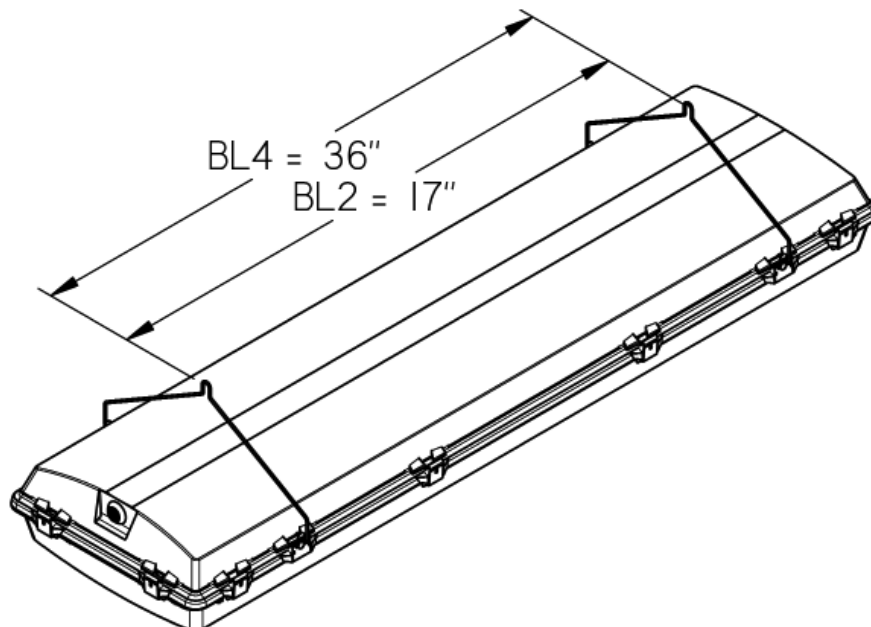
Cable Kit Installation

Insert the Y-pads into the mounting clips located at each corner of the fixture as shown below. BL2s have a cable distance of ~17" and BL4s have a cable distance of ~36".



V-Hook Installation

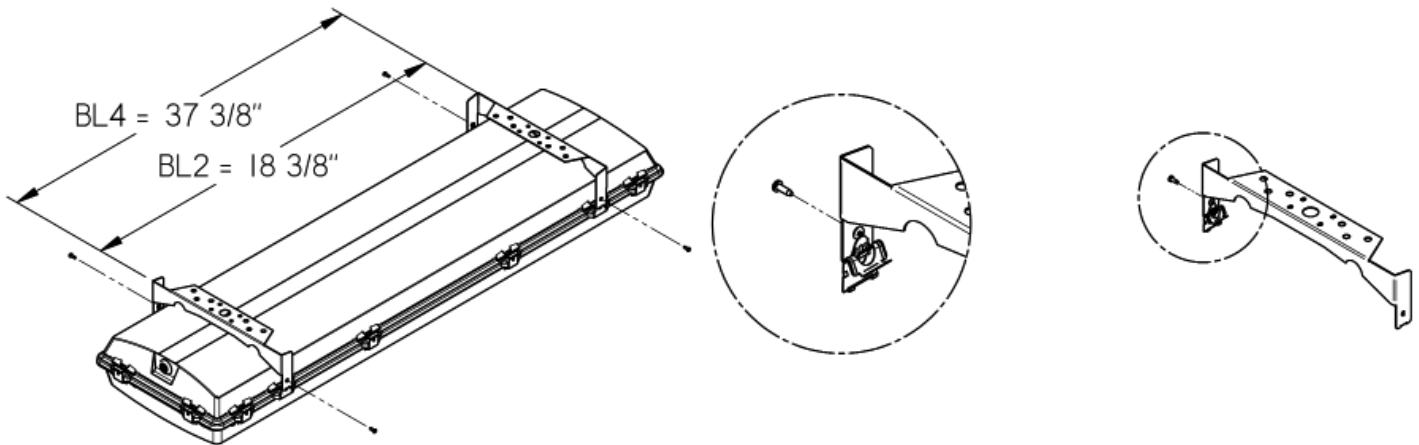
Attach the provided v-hooks to the fixture as shown below. BL2s have a clip distance of ~17" and BL4s have a clip distance of ~36".





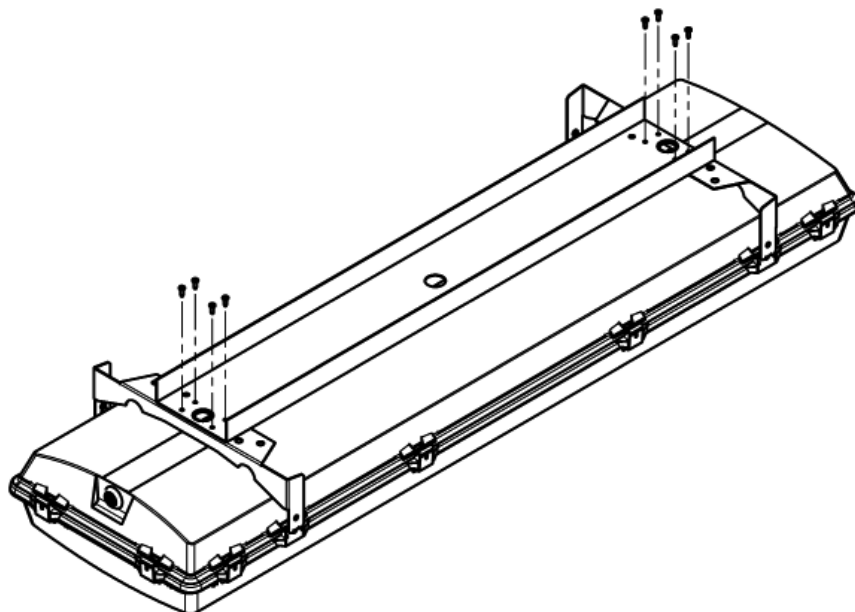
RMBSS Installation

Install the two brackets into the desired surface using appropriate hardware (supplied by others). Reference the drawing below for the required distance between brackets. Attach the fixture to the brackets, making sure that the four mounting points are hooked over the brackets. Use the provided (4) screws to secure the fixture to the brackets as shown below.



RCMBKSS Installation

The RMBSS brackets should be installed onto the fixture as detailed in the image above, using 4 of the 12 screws provided. Attach the center pendant bracket to the desired conduit. If power is running through the conduit, run the power to one of the ends of the fixture. Use the remaining 8 screws to attach the center pendant bracket to the two RMBSS brackets.





Troubleshooting

If the fixture fails to operate once installation has been completed:

- Ensure there is power to the fixture.
- Ensure the fixture is properly wired and grounded.
- Check to see if there are any loose wires inside the light fixture.
- Ensure the line voltage at the fixture is correct.

If none of these steps resolve the issue, contact your ILP representative for further assistance.

Maintenance

Depending on the application of the fixture, maintenance schedules will vary and should be developed by the customer following periodic observation once fixtures are in operation. At a minimum, the exterior surfaces should be wiped down as part of regular maintenance.

Due to the IP ratings of the fixture, there should be no accumulation of dust or moisture within the fixture. Therefore, the fixture should only require dusting/wipe-down of the exterior surfaces as part of the regular maintenance. However, if a more thorough cleaning is required or desired, the lens may be removed and washed according to the following steps:

Lens Cleaning

1. Ensure power is turned off or disconnected before proceeding with maintenance. Once fixture is powered off, ensure the fixture is given enough time to cool.
2. Identify the latches securing the lens to the housing. The number of latches vary by fixture size; the BL2 has 16 and the BL4 has 12. While supporting the lens in place, release all the latches. Carefully lower lens from housing.
3. Clean the lens using warm water, then wipe down to dry. Use non-abrasive materials to prevent damage.
4. Inspect the closed cell polyurethane gasket around the perimeter of the housing before reinstalling the lens. The gasket should have no gaps and should be capable of creating a tight seal.
5. Reinstall lens onto fixture housing.