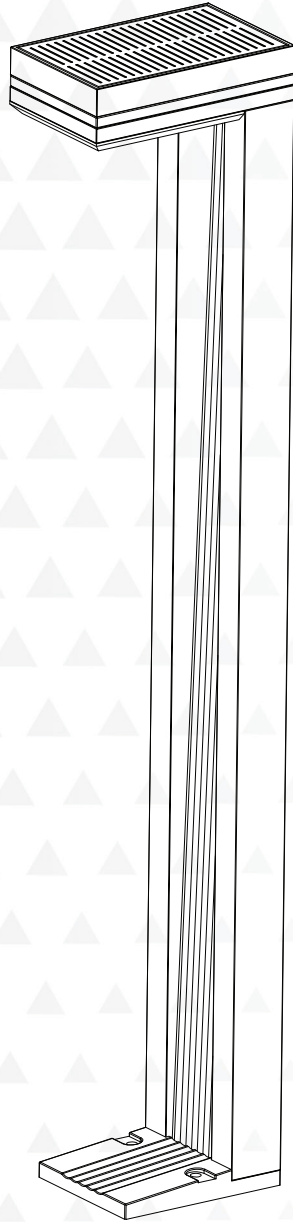


GAMA SONIC[®]

SOLAR LIGHTING



Sentry Modern Pathway Light

Part #: 92iP260082

 Please read the instruction manual carefully to obtain the best results from your purchase.

Thank you for your purchase! GAMA SONIC® solar charged lights are brighter and last all night with a typical solar charge. Unique design, superior light output and numerous installation options confirm the outstanding value of our product. GAMA SONIC® has been recognized as a worldwide leader in the lighting industry for over 20 years.

Technical Assistance/Warranty Claims/Replacement Parts
Toll Free Number: +1-800-835-4113 (only within the US) or www.gamasonic.com

Visit our website or download the latest version of your instruction manual:
www.gamasonic.com or www.gamasonic.com/user-guides

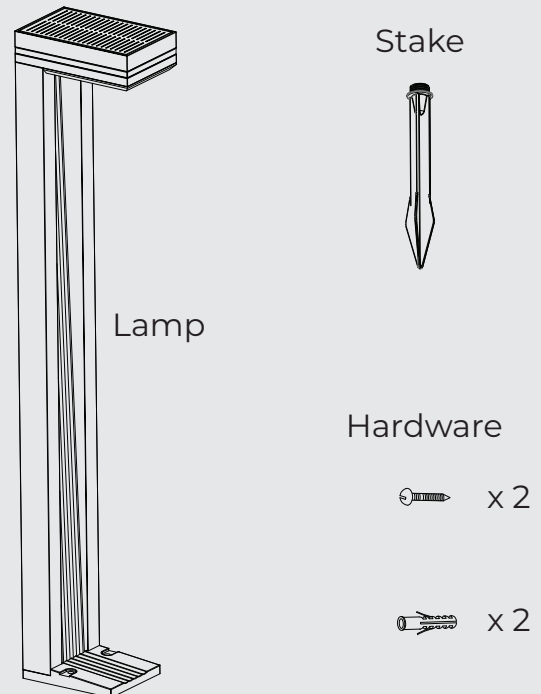
Easy Install with No Wiring

Gama Sonic's solar lamps make lighting your path easier than ever. Your solar lamps can be installed easily in the ground using the included stake, or to a hard surface using anchors. There is no wiring needed which means you can put these anywhere that receives direct sunlight.

Solar Lamp Location

For optimum light duration throughout the night, it is very important to mount your solar lamp in a spot where it will receive the maximum amount of direct sunlight throughout the day.

What's in the Box

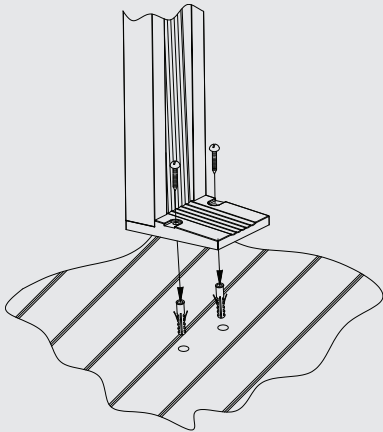


For best results, the solar light must be charged in the "ON" position (High or Low) for at least 2 days of full direct sunlight.

Assembly Instructions

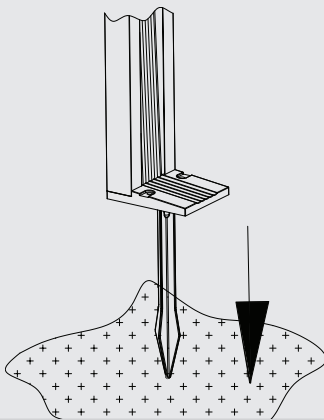
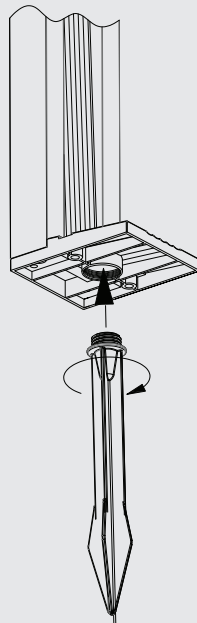
Concrete Installation

- Using the base of the lamp as a template, mark where the two holes will need to be made.
- Using a drill, make two holes no larger than the anchors.
- Place the anchors in the holes and secure the lamp to the ground.
- Switch the lamp on.



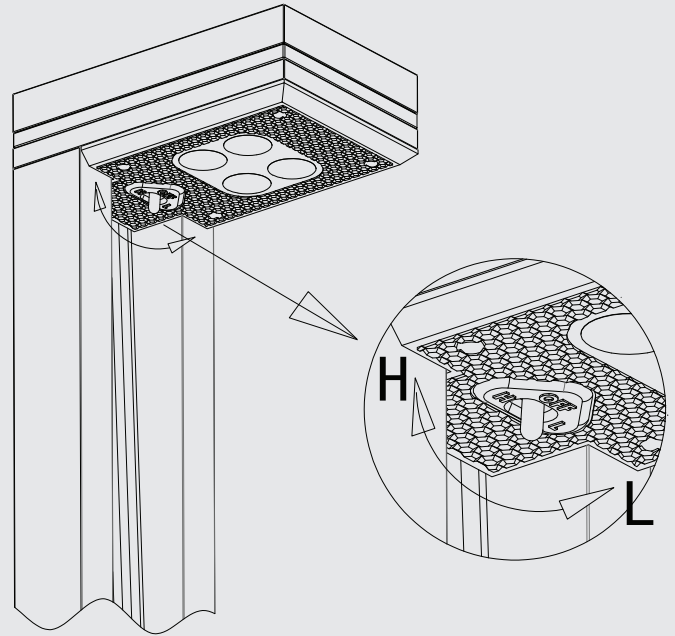
Ground Stake Installation

- Install the stake into the lamp by twisting it clockwise to the bottom of the lamp.
- Place the lamp in the desired location and push the stake fully into the ground so that the lamp is flush with the ground.
- Switch the lamp on.



Operation Instructions

- Move the operation switch located under the top of the lamp to the Low or High position according to your preferences:
 - **Low** = softer light, longer duration
 - **High** = brighter light output
- Your lamp will operate automatically at dusk.



Replacement Parts

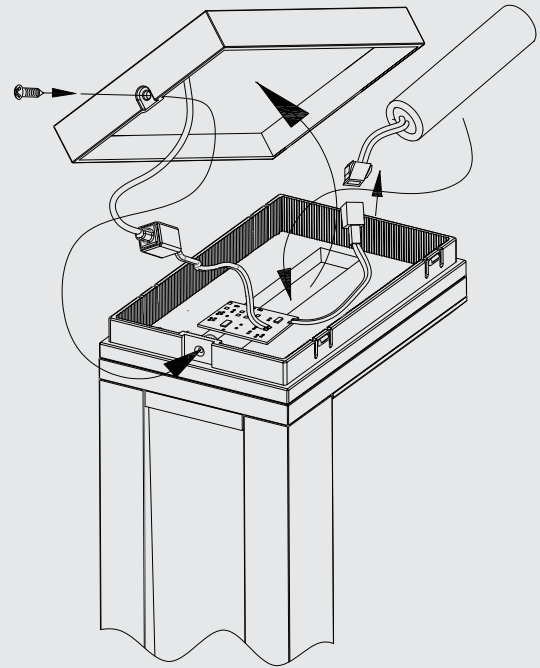
Replacement batteries are available at www.gamasonic.com or via our Toll-Free number: +1-800-835-4113.

Your lamp uses two of the following battery:

GS32V15



1. Move the switch to the OFF position.
2. Remove the screw from the back of the lamp head.
3. Tilt the Solar panel away from the lamp.
4. Remove and unclip the battery.
5. Make sure the new battery is a high quality 3.2V/1500mAh Li-Ion battery with matching connector (Part# GS32V15)
6. Clip in the new battery.
7. Re-install the solar panel and secure with the screw.
8. Switch the lamp back on.



Replacement Batteries and Bulbs are available at
www.gamasonic.com

Maintenance

Clean the solar panels regularly with a damp towel to guarantee optimum performance. Do not use any type of solvent for cleaning and be careful not to put too much pressure on the solar panels while cleaning.

Troubleshooting

If your solar light does not come on as expected despite observance of all the instructions, please try the following steps:

1. Make sure that the solar lamp is not being affected by any other light source.
2. Ensure the solar lamp is not positioned in the shade during the day.
3. Check that the batteries are installed correctly.

NOTE: The performance of the solar lamp will vary with the time of year. It will last longer when it has had a full day in the sun rather than a day in overcast weather.



WINTERTIME TIPS: For optimal performance, be sure to remove any snow or debris accumulation from solar panel(s). A solar panel free of debris will charge the batteries much more efficiently.

WARNING: Please keep out of reach of children. Do not dispose of the Li-Ion battery in the regular trash, municipal waste stream or by fire as batteries may leak or explode. Do not open, short circuit, or mutilate batteries as injury may occur. Preserve our environment by recycling Li-Ion batteries or disposing of them in accordance with local, State and federal regulations. Do not mix old and new batteries.

