



Item#: **90395**  
**LED COMPASS HIGH BAY**  
 HIGH-BAY LUMINAIRES FOR COMMERCIAL AND INDUSTRIAL BUILDINGS

**FEATURES**

- Die cast aluminum for better heat dissipation
- Dust proof and anti-corrosive
- Modern design
- High efficiency driver with built-in surge protection
- Includes a 12V DC AUX wire

**APPLICATION**

Ideal for commercial and industrial applications; malls, warehouses, factories, retail stores, athletic facilities, workshops, airports, and large areas.

**ELECTRICAL**

Wattage	399W
Voltage	100-277V
Power Factor	0.9
Total Harmonic Distortion (THD)	8.2

**LIGHTING PERFORMANCE**

Lumens	66708
Lumens Per Watt (LPW)	167
Color Temperature (CCT)	5000K
Color Rendering (CRI)	76
R9 (Red Value)	-8
Beam Angle	110°
Light Distribution	Type VS
BUG Rating (Backlight, Uplight, and Glare)	B5 - Ux - G3
Dimmable Lighting Control	<i>Dimmable</i> 0-10V, Range 10% - 100%

**ENVIRONMENT**

Operating Temperature	-22°~ 122°F
Suitable Location	<b>WET</b>
Ingress Protection Rating	IP65

**LIFESPAN**

Average Life (Hours)	50,000
Warranty (Years)	<b>5</b>

**COMPONENTS**

LED Light Source	Lumiled 2835
Driver	SS-480CA-228BH

**CONSTRUCTION**

Housing	Aluminum
Lens	Tempered Glass
Base / Power Supply	Hard Wired
Finish	Black

**QUALIFICATIONS**

Model Number	CHB3-400-D-MV-50K-170S
--------------	------------------------



Visit [www.designlights.org/search](http://www.designlights.org/search) to confirm qualification. • Published lumens on LED products are approximate and may vary slightly. • Specifications are subject to change without notice.

Item#: **90395**  
**LED COMPASS HIGH BAY**

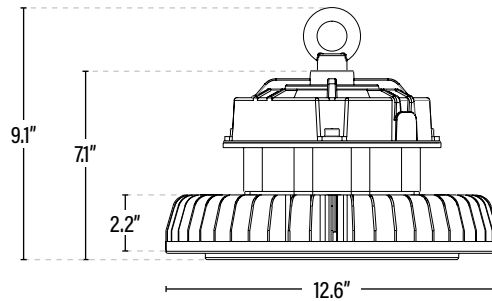
ITEM INFORMATION

**DIMENSIONS** (Inches)

Width/Diameter (MOD)	12.6"
Height	7.1"
Net Weight (Lbs)	13.6

**SUPPORTING DOCUMENTS** (Grey = not available at this time.)

Product Sheet	VIEW
Install Instructions	VIEW
IES Download from Web Item	VIEW
LM79	VIEW
LM80	VIEW



**PACKAGING**

Master Carton	1
Country of Origin	China
HS Tariff	9405.10.6020

**UPC**

811768029178

**DIMENSIONS** (LxWxH)

15.2" x 15.2" x 9.1"

**GROSS WEIGHT** (Lbs)

--

**ORDERING** Qualification Model # CHB3-400-D-MV-50K-170S

ITEM#	DESCRIPTION	CASE
90395	LED COMPASS HIGH BAY/400W/50K/DIMM/100-277V/BLK - DLC®	1

**ACCESSORIES**

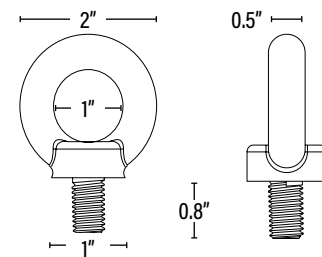
90372	ADJUSTABLE ANGLE MOUNTING BRACKET FOR 100-240W COMPASS HIGH BAY	20
90360	16IN ALUMINUM REFLECTOR FOR COMPASS HIGH BAY	1
90362	16IN ACRYLIC REFLECTOR FOR COMPASS HIGH BAY	1
90363	16IN ACRYLIC BOTTOM LENS FOR ACRYLIC REFLECTOR FOR COMPASS HIGH BAY	1
90396	78IN WATERPROOF CONNECTOR AND CORD/BLACK 18AWG/300V	50

**REPLACEMENT PARTS**

903814	M12 REPLACEMENT EYELET FOR LED COMPASS HIGH BAYS	1
SS-480CA-228BH	REPLACEMENT DRIVER	1

**ADDITIONAL INFORMATION:**

- Safety cable not included, must be provided by installer.
- Power and dimming cord length approximately 72"
- Multiple screw holes are conveniently placed throughout the top of the fixture to connect occupancy sensors and reflectors.



**M12**  
**Eyelet Dimensions**