


Version	V2.0	Date	4/11/2023
Prepared By	J.C		

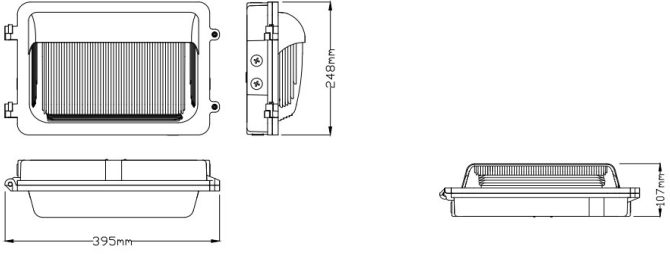
PRODUCT SPECIFICATION		<div style="background-color: #cccccc; padding: 2px;">PICTURE</div> 
Category	Wallpack	
Item Number	7529	
Stock Code	FXTWX60SW/8CCT3/BZ-PHO	
Mounting	Wall mount	
Housing Color	Bronze (RAL# 8019)	

ELECTRICAL CHARACTERISTICS			
Rated Wattage (W)	60/40/25	Replacement Wattage (W)	-
Tested Wattage (W)	-		
Input Voltage (V)	120~277	Surge Protect Level	4KV
Voltage Frequency (Hz)	50/60HZ		
Input Current (A)	0.67	Dimmable	0 - 10V
Power Factor	>0.9	AUX (12V) Line	YES
THD	≤ 20%	Photocell	Yes

PHOTOMETRIC CHARACTERISTICS			
Lumen (lm)	7500/5000/3125	CCT (K)	selectable 3000/4000/5000K
Efficacy (lm/w)	125lm/w	Beam Angle (°)	Forward throw
CRI	>80		

GENERAL CHARACTERISTICS	
Operating Temperature (°F)	-40 ~ 122
Storage Temperature (°F)	-40 ~ 140
IP Rating	IP65
Rated Life	50000 hrs.
Warranty	5 Years

ACCESSORIES		
Item #	Stock Code	Description
7336	BAEM4-60BC/MV-A	4W Emergency Battery Backup Driver
7334	BAEM15-48BC/MV-A	15W Emergency Battery Backup Driver
P10540	SEN-ANT-11-WH	Microwave 12V sensor 12-24Vdc, w/photocell

PRODUCT DIMENSIONS			
height- in (mm)	9.25"		
width- in (mm)	13.19"		
depth- in (mm)	4.14"		
EPA (ft²)	-		
Weight (lbs)	9.26lbs		
Mounting Height (ft)	-		
Cable Length (ft)	-		

CERTIFICATIONS			
UL/ETL	ETL, cETL	CEC	
NSF/ETL Sanitation	-	JA8	
Energy Star	-	FCC	YES
DLC	V5.1 Premium	RoHs	YES

DOCUMENTS			
LM79	YES	IES File	YES
LM80	YES	Dimmer List	

COMMENTS