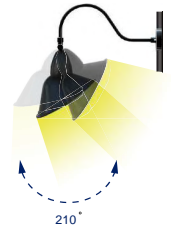
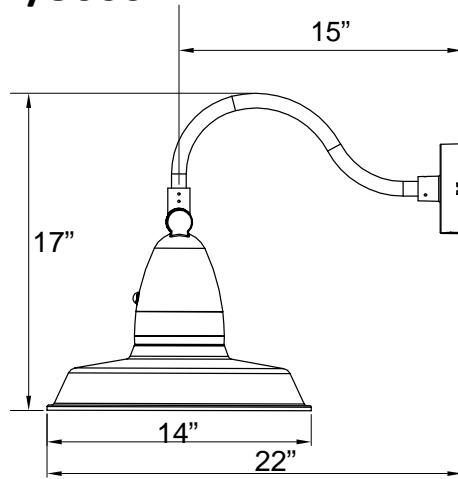




MORRIS CAT#: 75121B LED

Gooseneck Flood light - Black

35W, 120-277V,
3000K/4000K/5000K



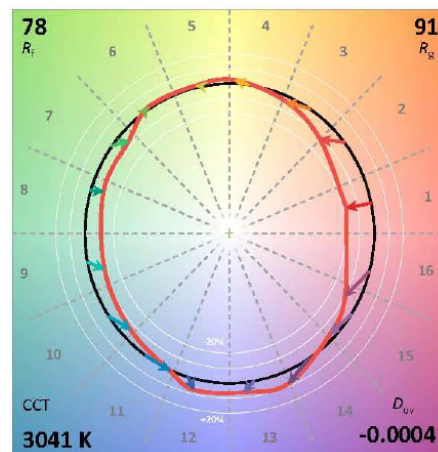
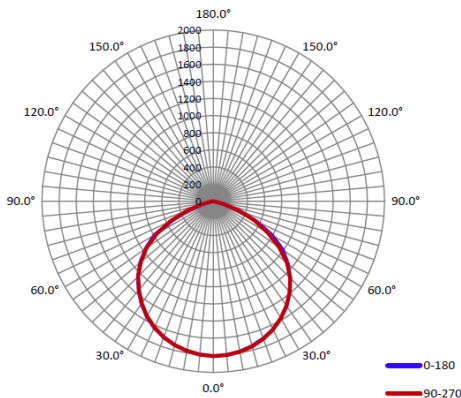
► Perfect for Sign/Barn Light Application

Features:

- Die-cast aluminum housing and mounting box
- Durable polyester powder coating finish
- Tempered glass lens, thermal shock and impact resistant
- Input voltage: 120-277Vac 50/60Hz
- CCT Tunable for 3000K/4000K/5000K
- LED: 3030 x 126pcs
- Surge Protect: 4KV
- With Steel 14" Straight Shroud
- With 4.9" back mounting plate
- With dimmable driver
- Photocell (120-277V) included & Photo control on/off switch
- UL & DLC Listed

Part#	Input/Wattage	Volts	Lumens	CCT	CRI	Color	Light Pattern	Lumens/Watt	DLC product ID #
75121B	35W	120-277V	4,824	3000K 4000K 5000K	>70	Black	114 Outdoor	131 Lm/w	S-K6SNWG

PHOTOMETRY





MORRIS CAT#: 75121B LED

Gooseneck Flood light - Black

37W, 120-277V, 3000K/4000K/5000K

Technical Specifications:

Electrical:

Input Voltage: 120-277V

Current: .3118@120V

Frequency: 50/60Hz

Power Factor: \geq .99

THD: 8.57% @120V

Product Parameters:

Input Watts: 35W

Lumens: 4,824

Efficacy: 131 lumens per watt

50,000+ Hour L70 Life Span

CCT: 3000K/4000K/5000K

Measurements:

Beam Angle: 114

CRI: >70

R9: -33

Component

Specifications:

LED: 3030 x 126pcs

Driver Voltage: 120-277VV

Frequency: 50-60Hz

Dimming:

SWITCHABLE

3000K/4000K/5000K

Operating Temperature:

Minimum Starting: -40°F to 122°F

Construction:

Housing: Aluminum Housing

Powder Coat Finish: Black

Wet and dry location

Lens Material: Clear Polycarbonate Lens

Mounting: Wall

Listings:

UL

DLC

Warranty:

Morris Products carries a 5 year warranty from date of purchase against defects in materials and workmanship (assuming normal and proper usage).