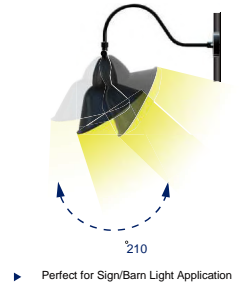
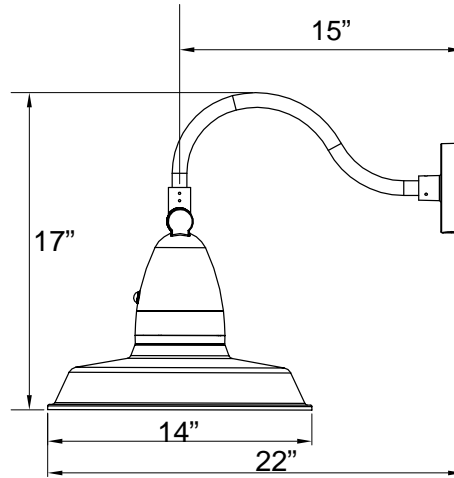




# MORRIS CAT#: 75119B LED

## Gooseneck Flood light Bronze

35W, 120-277V,  
3000K/4000K/5000K

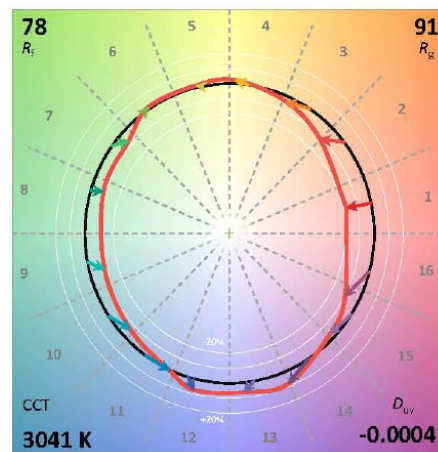
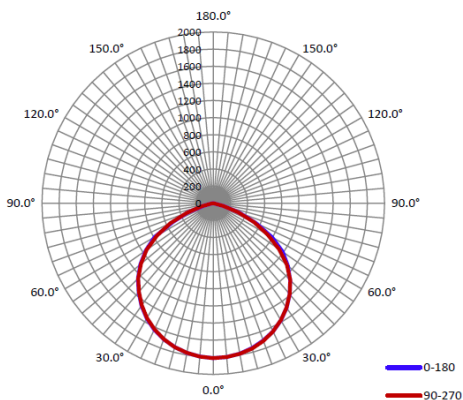


### Features:

- Die-cast aluminum housing and mounting box
- Durable polyester powder coating finish
- Tempered glass lens, thermal shock and impact resistant
- Input voltage: 120-277Vac 50/60Hz
- CCT Tunable for 3000K/4000K/5000K
- LED: 3030 x 126pcs
- Surge Protect: 4KV
- With Steel 14" Straight Shroud
- With 4.9" back mounting plate
- With dimmable driver
- Photocell (120-277V) included & Photo control on/off switch
- UL & DLC Listed
- High efficiency

Part#	Input/Wattage	Volts	Lumens	CCT	CRI	7 c`cf	Light Pattern	Lumens/Watt	DLC product ID #
75119B	35W	120-277V	4,824	3000K 4000K 5000K	>70	Bronze	114 Outdoor	131 Lm/w	S-K6SNWG

### PHOTOMETRY





# MORRIS CAT#: 75119B LED

## Gooseneck Flood light Bronze

### 37W, 120-277V, 3000K/4000K/5000K

#### Technical Specifications:

##### **Electrical:**

Input Voltage: 120-277V

Current: .3118@120V

Frequency: 50/60Hz

Power Factor:  $\geq$ .99

THD: 8.57% @120V

##### **Product Parameters:**

Input Watts: 35W

Lumens: 4,824

Efficacy: 131 lumens per watt

50,000+ Hour L70 Life Span

CCT: 3000K/4000K/5000K

##### **Measurements:**

Beam Angle: 114

CRI: >70

R9: -33

##### **Component**

##### **Specifications:**

LED: 3030 x 126pcs

Driver Voltage: 120-277VV

Frequency: 50-60Hz

##### **Dimming:**

SWITCHABLE

3000K/4000K/5000K

##### **Operating Temperature:**

Minimum Starting: -40°F to 122°F

##### **Construction:**

Housing: Aluminum Housing

Powder Coat Finish: Bronze

Wet and dry location

Lens Material: Clear Polycarbonate Lens

**Mounting:** Wall

##### **Listings:**

UL

DLC

##### **Warranty:**

Morris Products carries a 5 year warranty from date of purchase against defects in materials and workmanship (assuming normal and proper usage).