



Item#: **57739**  
**LED 48" VAPOR TIGHT - 2 LAMP**  
 LED READY FIXTURE

**FEATURES**

- Diffusing lens for uniform light.
- Gasket formed to housing provides a seamless seal and protects lamps from dust and humidity.
- Die formed galvanized steel mounting brackets.
- Stainless steel clips
- 18 AWG 3 Conductor (10A /-40°C ~ 90°C /Dia .305")

**MOUNTING**

- Surface or suspended mounting.

**APPLICATION**

Ideal for commercial and industrial environments; tunnels, stairwells, parking garages, cold storage, and airports. *Not designed for use in car washes, truck wash bays, or where exposed to harsh chemicals.*

**ELECTRICAL**

Lamps Type (Not included)	T8
Number of Lamps	2
Voltage	120-277V

**ENVIRONMENT**

Operating Temperature	-4° ~ 104°F
Suitable Location	<b>WET</b>
Ingress Protection Rating	IP65

**LIFESPAN**

Warranty (Years)	<b>2</b>
------------------	----------

**CONSTRUCTIONS**

Housing	Polycarbonate
Lens	Vandal Resistant / PC
Sockets	Non-Shunted
Base / Power Supply	Hard Wired
Clips	Stainless Steel
Finish	White

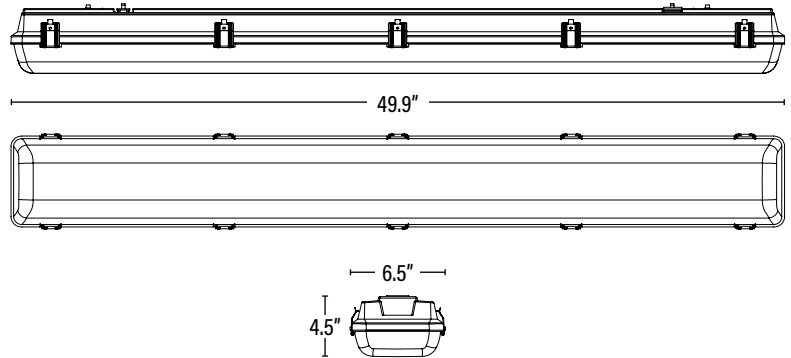
**CERTIFICATIONS**



*Operating temperature may vary depending on the lamps used. • Specifications are subject to change without notice.*

Item#: **57739**  
**LED 48" VAPOR TIGHT - 2 LAMP**

<b>DIMENSIONS</b> (Inches)	
Length	49.9"
Width	6.5"
Height	4.5"
Weight (Lbs)	--



<b>SUPPORTING DOCUMENTS</b> (Grey = not available at this time.)	
Product Sheet	VIEW
Install Instructions	VIEW

<b>PACKAGING</b>		<b>UPC</b>	<b>DIMENSIONS</b> (LxWxH)	<b>GROSS WEIGHT</b> (Lbs)
Master Carton	4	10811768027355	51" x 7.3" x 13.6"	30.9
Individual Box	1	811768027358		7.7
Country of Origin	China			
HS Tariff	9405.10.6020			

<b>ORDERING</b>			<b>CASE</b>
<b>ITEM#</b>	<b>DESCRIPTION</b>		
57739	LED 4FT VAPOR TIGHT FOR 2 T8		4

<b>REPLACEMENT PARTS</b>		
<b>ITEM#</b>	<b>DESCRIPTION</b>	<b>QUANTITY</b>
57730	STAINLESS STEEL CLIPS	1
57732	REPLACEMENT LENS ONLY FOR LED 2 LAMP VAPOR TIGHT	1

**ADDITIONAL INFORMATION:**

- Pairs with Direct Wire Single-End or Double-End UL Type B Lamps. Single-end pre-wired fixtures can also be wired double-end by the end-user if needed. Follow specific lamp installation wiring instructions for correct wiring.

ITEM INFORMATION