



Item#: **WL55753**  
**LED 2X4 SPEC-SELECT™**  
**BACK-LIT PANEL**

**2X4 LUMINARIES FOR AMBIENT LIGHTING OF INTERIOR COMMERCIAL SPACES**

**FEATURES**

Spec-Select™ Backlit energy-efficient LED panels are like 9 fixtures in 1, and can provide the perfect balance of light in any application.

- Adjustable Wattage (3 settings)
- Adjustable Color (3 settings)
- Integrated Sensor option (ISO). Plug-in Motion + Daylight Sensor sold separately.

**APPLICATION**

Ideal for retrofitting inefficient fixtures in malls, hospitals, airports, offices, lobbies and other residential and commercial applications.

**ELECTRICAL**

Wattage	30W / 40W / 50W
Voltage	120-277V
Current	0.41-0.18A
Power Factor	0.9
Total Harmonic Distortion (THD)	15.3

**LIGHTING PERFORMANCE**

Lumens	3780 / 5040 / 6300
Lumens Per Watt (LPW)	126
Color Temperature (CCT)	3500K / 4100K / 5000K
Color Rendering (CRI)	83
R9 (Red Value)	8
Beam Angle	120°
Light Distribution	Type VS
BUG Rating (Backlight, Uplight, and Glare)	B2 - U2 - G1
Dimmable Lighting Control	From optional sensor, or customer 0-10V controls

**ENVIRONMENT**

Operating Temperature	-4° ~ 113°F
Suitable Location	<b>DAMP</b>
Ingress Protection Rating	IP40

**LIFESPAN**

Average Life (Hours)	50,000
Warranty (Years)	<b>5</b>

**COMPONENTS**

LED Light Source	Bridgelux 2835
Driver	SIF50-I1100-SS

**CONSTRUCTION**

Housing	Aluminum
Lens	Frosted
Base / Power Supply	Hard Wired
Finish	White

**QUALIFICATIONS**



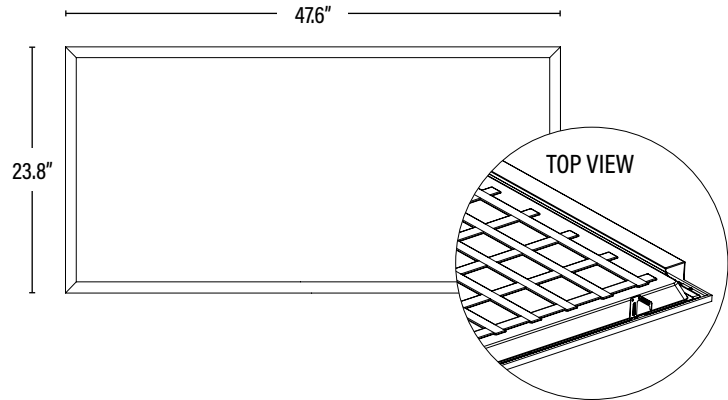
Visit [www.designlights.org/search](http://www.designlights.org/search) to confirm qualification. • Published lumens on LED products are approximate and may vary slightly. • Specifications are subject to change without notice.

Item#: **WL55753**  
**LED 2X4 SPEC-SELECT™ BACK-LIT PANEL**



**DIMENSIONS** (Inches)

Length	47.6"
Width	23.8"
Height	1.6"
Weight (Lbs)	--



**SUPPORTING DOCUMENTS** (Grey = not available at this time.)

Product Sheet	VIEW
Install Instructions	VIEW
IES Download from Web Item	VIEW
LM79	VIEW
LM80	VIEW

**PACKAGING**

		UPC	DIMENSIONS (LxWxH)	GROSS WEIGHT (Lbs)
Master Carton	2	10811768024743	49.2" x 25.6" x 3.2"	--
Individual Box	1	811768024746	N/A	--
Country of Origin	China			
HS Tariff	--			

**ORDERING**

ITEM#	DESCRIPTION	CASE
55753	LED 2X4 SPEC-SELECT™ PANEL/BLP/30-40-50W/35-50K/DIMM/ISO/120-277V - DLC®	2

**ACCESSORIES**

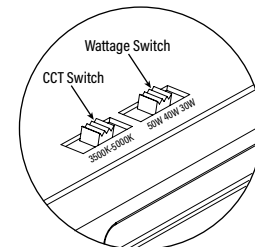
54880	BI-LEVEL AND DAYLIGHT PIR SENSOR FOR LED PANEL/UP TO 12FT HEIGHT • 12-24V DC	100
55129	2X4 FLANGE KIT FOR PANEL & TROFFER/WHT	1
55532	2X4 SURFACE MOUNTED KIT FOR LED BACK-LIT PANEL/WHT	1
55445	5FT SUSPENDED CABLE MOUNTING KIT FOR LED PANEL	100
55446	10FT SUSPENDED CABLE MOUNTING KIT FOR LED PANEL	100

**REPLACEMENT PARTS**

SIF50-I1100-SS	REPLACEMENT LED DRIVER	1
----------------	------------------------	---

**ADDITIONAL INFORMATION:**

- Default settings: 30W, 5000K.
- The color temperature and wattage may be adjusted by two slide switches integrated into the driver, selection should be made prior to installation.



ITEM INFORMATION