

Item **55751**
LED 2X2 SPEC-SELECT™
BACK-LIT PANEL

1X4 LUMINARIES FOR AMBIENT LIGHTING OF INTERIOR COMMERCIAL SPACES

FEATURES

Spec-Select™ Backlit energy-efficient LED panels are like 9 fixtures in 1, and can provide the perfect balance of light in any application.

- Adjustable Wattage (3 settings)
- Adjustable Color (3 settings)
- Integrated Sensor option (ISO). Plug-in Motion + Daylight Sensor sold separately.

APPLICATION

Ideal for retrofitting inefficient fixtures in malls, hospitals, airports, offices, lobbies and other residential and commercial applications.

ELECTRICAL

Wattage	20W / 25W / 30W
Voltage	120-277V
Current	0.25-0.10A
Power Factor	0.9
Total Harmonic Distortion (THD)	16.1

LIGHTING PERFORMANCE

Lumens	2500 / 3125 / 3750
Lumens Per Watt (LPW)	125
Color Temperature (CCT)	3500K / 4100K / 5000K
Color Rendering (CRI)	83
R9 (Red Value)	7
Beam Angle	120°
Light Distribution	Type VS
BUG Rating (Backlight, Uplight, and Glare)	B2 - U1 - G1
Dimmable Lighting Control	From optional sensor, or customer 0-10V controls

ENVIRONMENT

Operating Temperature	-4° ~ 113°F
Suitable Location	DAMP
Ingress Protection Rating	IP40

LIFESPAN

Average Life (Hours)	50,000
Warranty (Years)	5

COMPONENTS

LED Light Source	Bridgelux 2835
Driver	SIF30-I0800

CONSTRUCTION

Housing	Aluminum
Lens	Frosted
Base / Power Supply	Hard Wired
Finish	White

QUALIFICATIONS

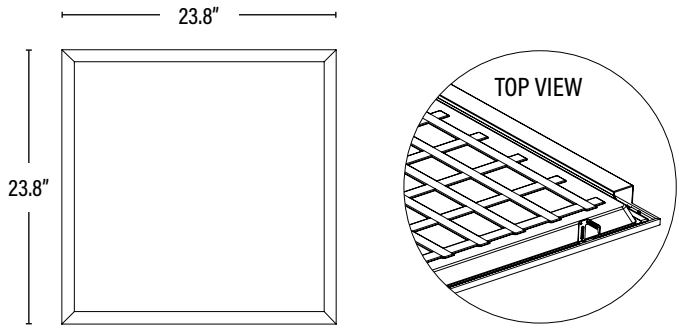


Visit www.designlights.org/search to confirm qualification. • Published lumens on LED products are approximate and may vary slightly. • Specifications are subject to change without notice.

Item#: **55751**
LED 2X2 SPEC-SELECT™ BACK-LIT PANEL

ITEM INFORMATION

DIMENSIONS (Inches)	
Length	23.8"
Width	23.8"
Height	1.6"
Weight (Lbs)	--



SUPPORTING DOCUMENTS (Grey = not available at this time.)	
Product Sheet	VIEW
Install Instructions	VIEW
IES Download from Web Item	VIEW
LM79	VIEW
LM80	VIEW

PACKAGING		UPC	DIMENSIONS (LxWxH)	GROSS WEIGHT (Lbs)
Master Carton	2	10899645001964	25.2" x 25.6" x 3.2"	--
Individual Box	1	899645001967	N/A	--
Country of Origin	China			
HS Tariff	--			

ORDERING		
ITEM#	DESCRIPTION	CASE
55751	LED 2X2 SPEC-SELECT™ PANEL/BLP/20-25-30W/35-50K/DIMM/ISO/120-277V - DLC®	2

ACCESSORIES		
54880	BI-LEVEL AND DAYLIGHT PIR SENSOR FOR LED PANEL/UP TO 12FT HEIGHT • 12-24V DC	100
55128	2X2 FLANGE KIT FOR PANEL & TROFFER/WHT	1
55531	2X2 SURFACE MOUNTED KIT FOR LED BACK-LIT PANEL/WHT	1
55445	5FT SUSPENDED CABLE MOUNTING KIT FOR LED PANEL	100
55446	10FT SUSPENDED CABLE MOUNTING KIT FOR LED PANEL	100

REPLACEMENT PARTS		
SIF30-I0800	REPLACEMENT LED DRIVER	1

ADDITIONAL INFORMATION:

- Default settings; 20W, 5000K.
- The color temperature and wattage may be adjusted by two slide switches integrated into the driver, selection should be made prior to installation.

