



Item#: **55652**  
**LED DIAMOND HIGH BAY™ - 4 LAMP**  
**LED READY FIXTURE**

**FEATURES**

- Use 30% less energy than a traditional fluorescent fixture
- Die formed, and rigidly fabricated
- Sufficient knockouts are provided on ends and back to accommodate multiple mounting configurations
- LED ready with non-shunted sockets
- Pre-wired at both ends
- Works with both Single-End and Double-End Direct Wire lamps
- Designed for chain mounting or adjustable cable

**APPLICATION**

Ideal for larger warehouses, retail applications, commercial buildings and work areas.

**ELECTRICAL**

Lamp Type (not included)	T8
Number of Lamps	4
Voltage	120-277V

**ENVIRONMENT**

Operating Temperature	-4° ~ 122°F
Suitable Location	<b>DAMP</b>
Ingress Protection Rating	IP40

**LIFESPAN**

Warranty (Years)	<b>2</b>
------------------	----------

**CONSTRUCTION**

Housing	22 Gauge C.R.S
Reflector	86% MIRO4 Aluminum
Base / Power Supply	Hard Wired
Finish	High Gloss Baked White Enamel

**QUALIFICATIONS**



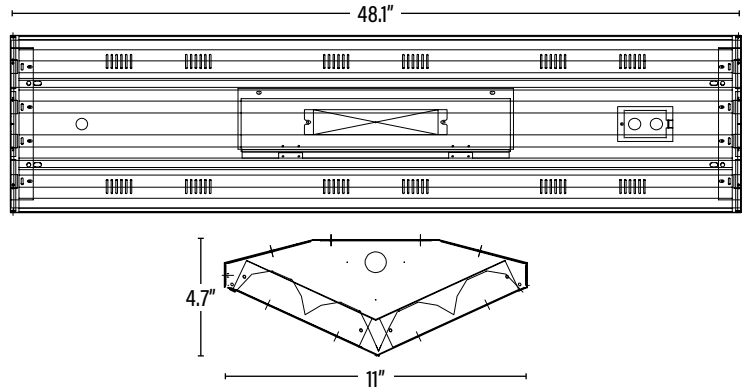
*Operating temperature may vary depending on lamps used. • Specifications are subject to change without notice.*

Item#: **55652**  
**LED DIAMOND HIGH BAY™ - 4 LAMP**



**DIMENSIONS** (Inches)

Length	48.1"
Width	11.9"
Height	4.7"
Weight (Lbs)	--



**SUPPORTING DOCUMENTS** (Grey = not available at this time.)

Product Sheet	VIEW
Install Instructions	VIEW

**PACKAGING**

		UPC	DIMENSIONS (LxWxH)	GROSS WEIGHT (Lbs)
Master Carton	1	811768024661	48.5" x 12.6" x 5.1"	14.3
Country of Origin	China			
HS Tariff	9405.10.6020			

**ORDERING**

ITEM#	DESCRIPTION	CASE
55652	LED DIAMOND HIGH BAY™ FOR 4 T8 W/V-HOOKS & 41.3" CHAINS - SUPERIOR LIFE®	1

**ACCESSORIES**

54896	360° LOW/HIGH BAY FIXTURE OCCUPANCY PIR SENSOR 30' DIA, 8-40' HEIGHT 800W/1200W - 120/277V - SUPERIOR LIFE®	50
54894	EXTENDER MOUNT FOR SENSOR 54896/54897/54898 - SUPERIOR LIFE®	100
45000	V HOOK FOR HANGING FLUORESCENT FIXTURE (2 PER KIT)	1
45002	100' ROLL NO. 12 JACK CHAIN	Per Foot

**ADDITIONAL INFORMATION:**

- Pairs with Superior Life® Direct Wire Single-End or Double-End UL Type B Lamps. Follow specific lamp installation wiring instructions for correct wiring.

ITEM INFORMATION