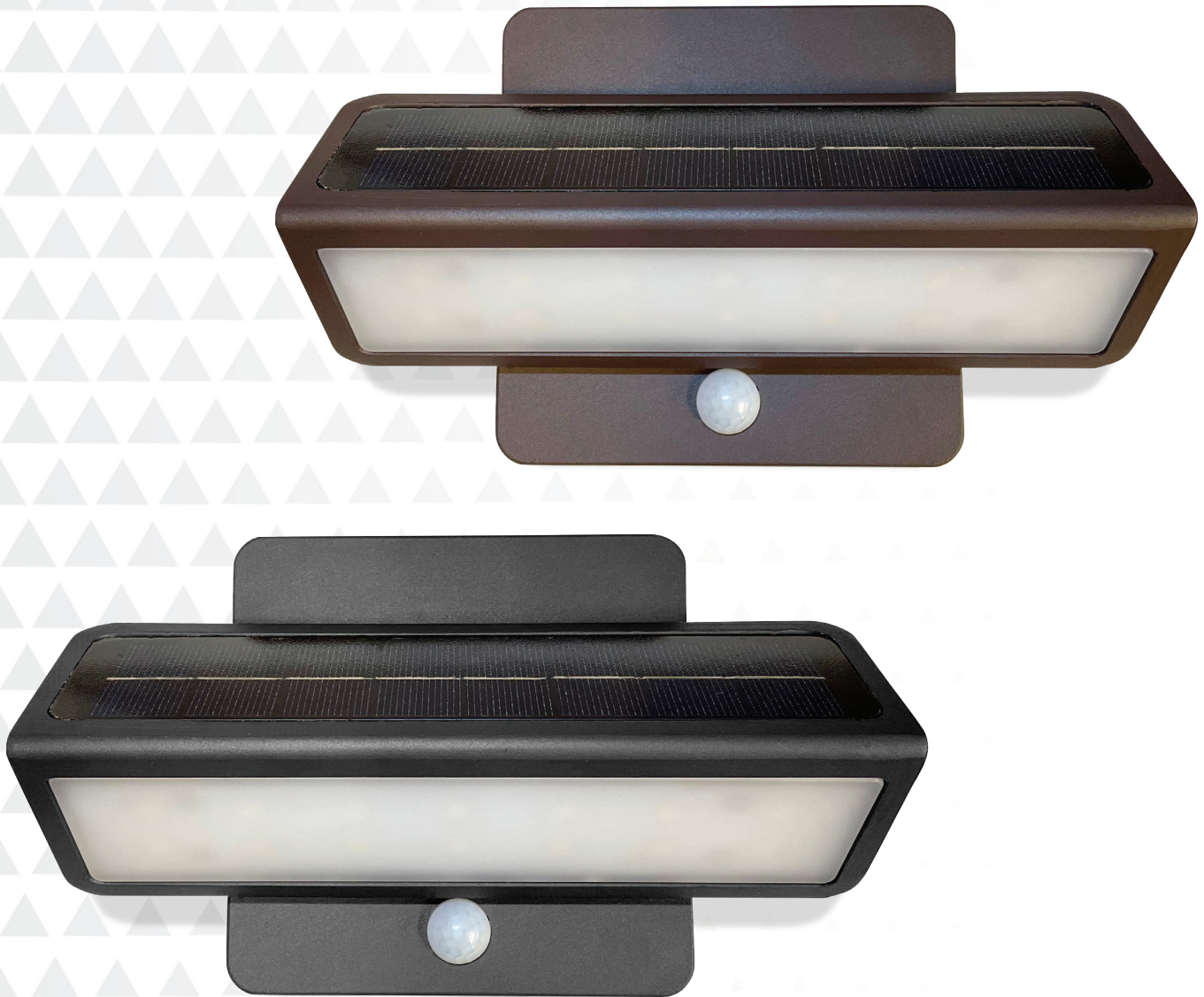



# **GAMA SONIC<sup>®</sup>**

## **SOLAR LIGHTING**



### **Architectural Solar Wall Accent Light with Motion Sensor**

Part #: 4iS50010, 4iS50410, 4iP2S50010, 4iP2S50410

 Please read the instruction manual carefully to obtain the best results from your purchase.

**Thank you for your purchase! GAMA SONIC®** solar charged lights are brighter and last all night with a typical solar charge. Unique design, superior light output and numerous installation options confirm the outstanding value of our product. GAMA SONIC® has been recognized as a worldwide leader in the lighting industry for over 20 years.

**Technical Assistance/Warranty Claims/Replacement Parts**  
**Toll Free Number: +1-800-835-4113 (only within the US) or [www.gamasonic.com](http://www.gamasonic.com)**

**Visit our website or download the latest version of your instruction manual:**  
**[www.gamasonic.com](http://www.gamasonic.com) or [www.gamasonic.com/user-guides](http://www.gamasonic.com/user-guides)**

### Gama Sonic's Motion Lights

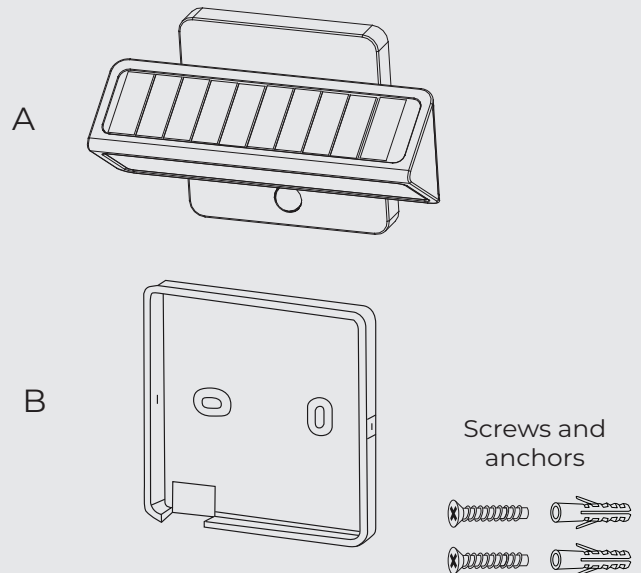
Gama Sonic's motion lights provide style and security in one lamp. Lamps equipped with our PIR motion sensors shine with a brighter light anytime motion is detected.

### Solar Lamp Location

For optimum light duration throughout the night, it is very important to mount your solar lamp in a spot where it will receive the maximum amount of direct sunlight throughout the day.

### What's in the Box

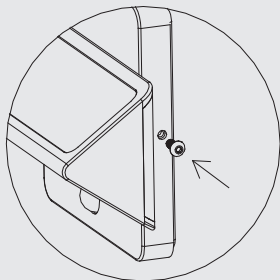
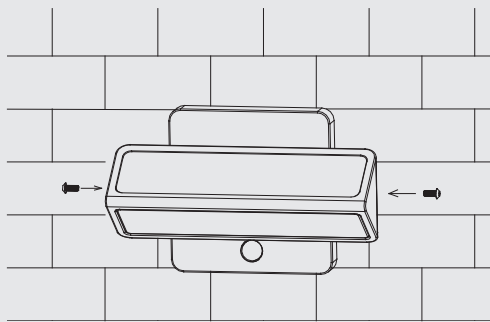
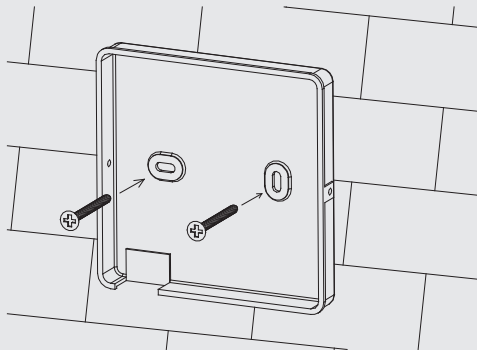
A = Fixture    B = Wall Bracket



For best results, the solar light must be charged in the "ON" position (High or Low) for at least 2 days of full direct sunlight.

## Assembly Instructions

- Separate the wall bracket (B) from the fixture (A) by removing the two screws on the side of the lamp.
- Using the bracket (B) as a template, mark where the two holes will need to be made.
- Using an electric drill, drill two holes no larger than the anchor.
- Insert the anchors into the holes.
- Align the bracket (B) with the holes (make sure the notch in the bracket is facing down) and secure to the wall using the screws.
- Attach the fixture (A) to the bracket and secure using the two screws removed in Step 1.
- Switch the lamp on to the desired setting (Low or High).

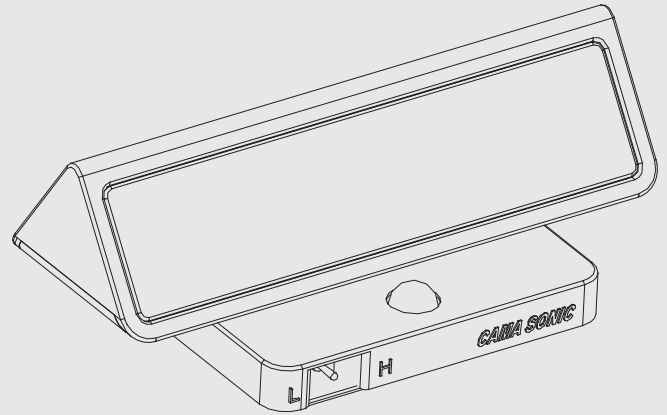


## Operation Instructions

1. Locate the operation switch on the bottom of the fixture (A).
2. Turn the operation switch to the Low or High position according to your preferences:
  - Low = Softer light and longer duration
  - High = Brighter light output

The solar Lamp will automatically operate at dusk.

The warm white LEDs will remain lit throughout the night. When motion is sensed the bright white LEDs will illuminate and remain lit for 15 seconds.



## Replacement Parts

Replacement Batteries are available at [www.gamasonic.com](http://www.gamasonic.com) or via our Toll Free number: +1-800-835-4113.

Your Lamp uses the following battery:  
GS32V15

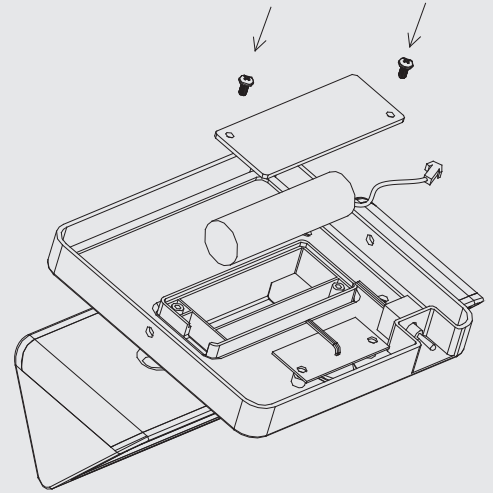


## Replacing the Batteries

**GAMA SONIC®**  
SOLAR LIGHTING

After several years of use, the battery may need replacing.

1. Switch the lamp to the Off position.
2. Detach the fixture (A) from the wall bracket by removing the two screws on the sides.
3. Remove the two screws holding the battery compartment cover and remove the cover.
4. Remove and unclip the old battery and replace with a high quality rechargeable Li-Ion 3.2V/1500mAh battery with matching connector (Item# GS32V15).
5. Install the new battery, the battery compartment cover and secure with the two screws.
6. Reattach the fixture (A) to the wall bracket and secure with the two screws.
7. Switch the lamp to the Low or High position.



Replacement Batteries and Bulbs are available at  
[www.gamasonic.com](http://www.gamasonic.com)

## Maintenance

Clean the solar panels regularly with a damp towel to guarantee optimum performance. Do not use any type of solvent for cleaning and be careful not to put too much pressure on the solar panels while cleaning.

## Troubleshooting

If your solar light does not come on as expected despite observance of all the instructions, please try the following steps:

1. Make sure that the solar lamp is not being affected by any other light source.
2. Ensure the solar lamp is not positioned in the shade during the day.
3. Check that the batteries are installed correctly.

**NOTE:** The performance of the solar lamp will vary with the time of year. It will last longer when it has had a full day in the sun rather than a day in overcast weather.



**WINTERTIME TIPS:** For optimal performance, be sure to remove any snow or debris accumulation from solar panel(s). A solar panel free of debris will charge the batteries much more efficiently.

**WARNING:** Please keep out of reach of children. Do not dispose of the Li-Ion battery in the regular trash, municipal waste stream or by fire as batteries may leak or explode. Do not open, short circuit, or mutilate batteries as injury may occur. Preserve our environment by recycling Li-Ion batteries or disposing of them in accordance with local, State and federal regulations. Do not mix old and new batteries.

