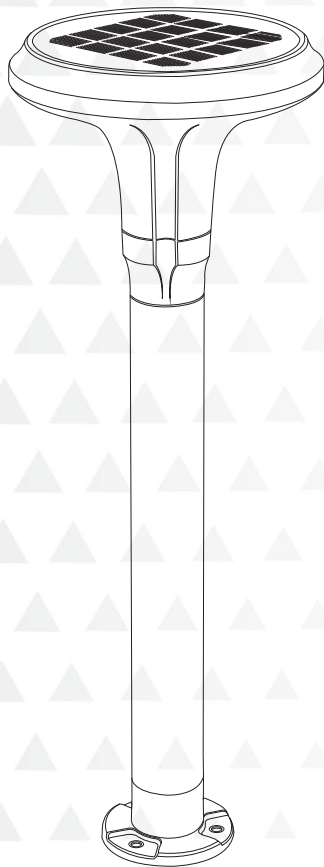


# **GAMA SONIC<sup>®</sup>**

## **SOLAR LIGHTING**



## **Vantage Bollard Solar Pathway Light**

Part #: 314B50000

US Patent #9458970

Version 1.1

 Please read the instruction manual carefully to obtain the best results from your purchase.

**Thank you for your purchase! GAMA SONIC®** solar charged lights are brighter and last all night with a typical solar charge. Unique design, superior light output and numerous installation options confirm the outstanding value of our product. GAMA SONIC® has been recognized as a worldwide leader in the lighting industry for over 20 years.

**Technical Assistance/Warranty Claims/Replacement Parts**  
**Toll Free Number: +1-800-835-4113 (only within the US) or [www.gamasonic.com](http://www.gamasonic.com)**

**Visit our website or download the latest version of your instruction manual:**  
**[www.gamasonic.com](http://www.gamasonic.com) or [www.gamasonic.com/user-guides](http://www.gamasonic.com/user-guides)**

### Gama Sonic's Bulb Technology

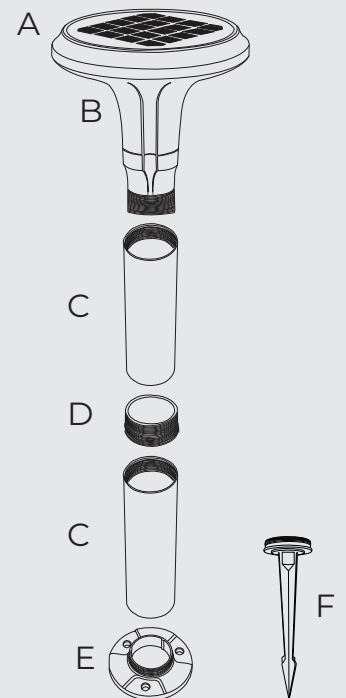
Gama Sonic's patented Bulb technology gives your solar lamp the look and feel of a traditional incandescent lamp. This helps to distribute light further than traditional solar lamps.

### Solar Lamp Location

For optimum light duration throughout the night, it is very important to mount your solar lamp in a spot where it will receive the maximum amount of direct sunlight throughout the day.

### What's in the Box

- A = Top
- B = Fixture
- C = Pole (x2)
- D = Threaded coupler
- E = Flat Mount
- F = Stake



For best results, the solar light must be charged in the "ON" position (High or Low) for at least 2 days of full direct sunlight.

## Assembly Instructions

- Follow the Operation Instructions to install the bulb and turn the unit on.
- Assemble the Fixture (B) to one of the pole sections (C) by twisting clockwise.
- Assemble the second pole section (C) to the first one using the threaded coupler (D) and twisting clockwise.

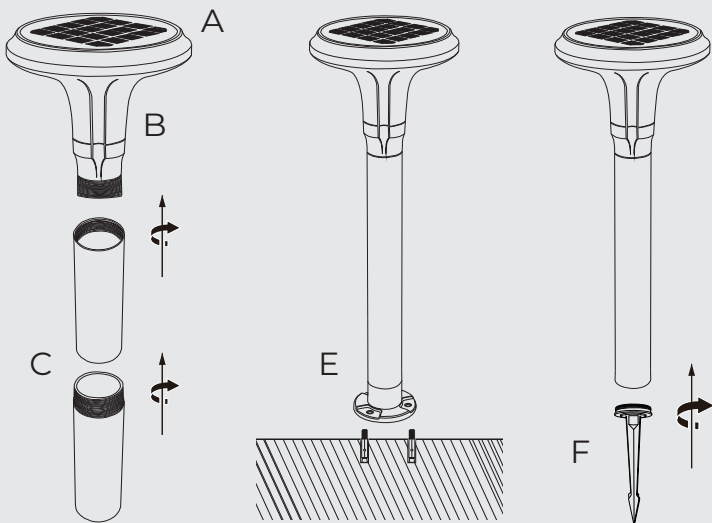
**NOTE:** the threaded coupler (D) should be preinstalled in one of the pole sections (C).

### Stake Mount Installation

- Attach the stake (F) to the bottom of pole section (C) by twisting clockwise.
- Push the lamp into the ground in the desired mounting location.

### Flat Mount Installation

- Attach the flat mount (E) to the bottom of pole section (C) by twisting clockwise.
- Please the lamp in the desired mounting location.
- Using the flat mount (E) as a template mark and drill three 10mm holes in the concrete.
- Insert the concrete anchors into the holes and place the lamp over the anchors.
- Secure the lamp to the anchors by tightening the three nuts on the anchors using a 14mm wrench.



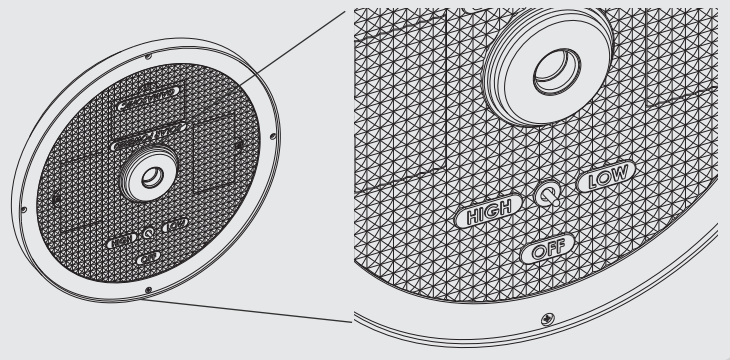
## Operation Instructions

- Place the lamp head upside down and remove the fixture (B) from the top (A) by removing the four screws.
- Insert the GS Solar LED Bulb into the fixture by twisting clockwise.
- Move the operation switch to the Low or High position according to your preferences:

**Low** = softer light, longer duration

**High** = brighter light output

- Re-attach the fixture (B) to the top (A) and secure using the four screws.
- Your lamp will operate automatically at dusk.



## Replacement Parts

Replacement Batteries and Bulbs are available at [www.gamasonic.com](http://www.gamasonic.com) or via our Toll Free number: +1-800-835-4113.

Your Lamp can use the following bulbs:

A60WW20W – included bulb with Warm White LEDs (2700K)

A60BW20W – bulb with Bright White LEDs (6000K)

Your lamp uses three of the following battery:

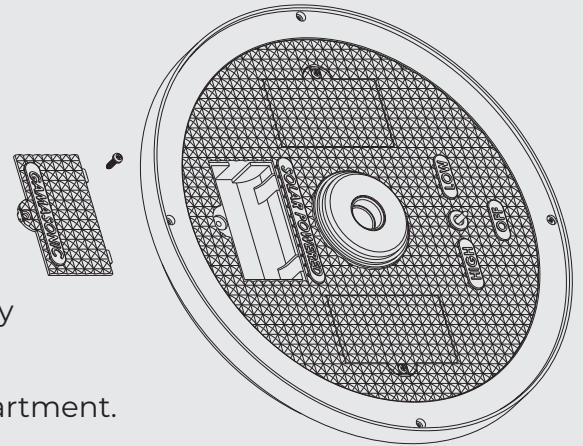
GS32V30



After several years of use, the batteries may need replacing.

## Steps

1. Place the lamp head upside down and remove the fixture (B) from the top (A) by removing the four screws.
2. Switch the unit to the OFF position and remove the bulb.
3. Remove the battery compartment screw and cover.
4. Remove the battery and unclip the connector.
5. Make sure the new battery is a 3.2V/3000mAh Li-Ion battery with matching connector (Item# GS32V30)
6. Clip in the new battery and install the battery in the compartment.
7. Replace the battery cover and screw.
8. Repeat steps 3-7 for the second and third batteries.
9. Re-install the bulb and switch the lamp back on.
10. Re-attach the fixture (B) to the top (A) and secure using the four screws.



Replacement Batteries and Bulbs are available at  
[www.gamasonic.com](http://www.gamasonic.com)

## Maintenance

Clean the solar panels regularly with a damp towel to guarantee optimum performance. Do not use any type of solvent for cleaning and be careful not to put too much pressure on the solar panels while cleaning.

## Troubleshooting

If your solar light does not come on as expected despite observance of all the instructions, please try the following steps:

1. Make sure that the solar lamp is not being affected by any other light source.
2. Ensure the solar lamp is not positioned in the shade during the day.
3. Check that the batteries are installed correctly.

**NOTE:** The performance of the solar lamp will vary with the time of year. It will last longer when it has had a full day in the sun rather than a day in overcast weather.



**WINTERTIME TIPS:** For optimal performance, be sure to remove any snow or debris accumulation from solar panel(s). A solar panel free of debris will charge the batteries much more efficiently.

**WARNING:** Please keep out of reach of children. Do not dispose of the Li-Ion battery in the regular trash, municipal waste stream or by fire as batteries may leak or explode. Do not open, short circuit, or mutilate batteries as injury may occur. Preserve our environment by recycling Li-Ion batteries or disposing of them in accordance with local, State and federal regulations. Do not mix old and new batteries.

