

Stock Code: **23776-MBL/MGL**

Collection: Liberty

PRODUCT INFORMATION

Base: 23776 Parent: 23776
Mounting Type: Ceiling UPC: 641594219135
Finish: Matte Black
Diffuser: Matte Gold

PRODUCT MEASUREMENTS

FIXTURE**	BACKPLATE / CANOPY**
Length:	Length
Width:	Width:
Diameter 12"	Diameter: 4.5"
Height: 12"	Height: 2.5"
Extension:	
Overall Height: 14-133"	

TECHNICAL SPECIFICATIONS

SPECIFICATIONS

Frame Material: Metal
Diffuser Material: N/A
Lamping Type: E-26 (Incandescent) Jbox: Standard
Lamping Base: E-26 Lamp Wattage: 60 W
Lamp Quantity: 1 Total Wattage: 60 W
Voltage: 120v Lamps Included: No

QUALIFICATIONS

Location Rating Dry
Certification: UL (US/Canada) Listed
ADA Compliant: No Energy Star: No
JA8 Compliant: No Emergency Lighting: No
Marine Grade Finish: No
Warranty**: 1 Year

PHOTOMETRICS

Dimmable: Yes Nominal Lumens: N/A
CRI: N/A Delivered Lumens: N/A
CCT: N/A
Recommended Dimmers:
(TRIAC)LEGRAND Titan CD703-PW; (ELV)LUTRON Skylark
SELV-300P; (MLV)COOPER Aspire 9530SW

ADDITIONAL NOTES

10 feet of black cord included; Custom Finish 60 Piece Minimum Order Quantity

Project Name: _____

Location: _____

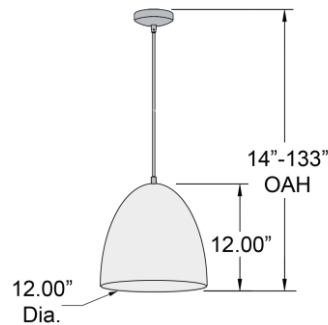
Type: _____

Quantity: _____

Notes: _____



LINE DRAWING



IES FILE

In addition to Access Lighting's purchase and warranty terms and conditions, by signing below or placing an order, you agree that you are authorized to bind the entity placing any order and acknowledge the following: All of sizes and measurements are approximate and all images are for illustrative purposes only. In the event of an inconsistency, the "Product Measurements" section controls. There also may be slight differences in the colors and designs compared to the displayed and printed images.

Signature: _____

Print Name _____ Date: _____

Toll Free 800-828-5483 www.AccessLighting.com

301 Piedmont Grove Park, Suite A, Greenville, SC 29611



** NOTE: All measurements are rounded up to the 1/4 inch. There is no warranty on any replaceable bulbs, even if included with the fixture.
Copyright Access Lighting Corp. All information is subject to change without notice. 2/18/2024 23776-MBL_MGL.pdf