

HBLED G3 Series



Condor High Bay LED Lighting fixtures combine high performance LEDs and drivers. The HBLED is the lighting solution for a wide variety of applications and mounting heights. Offering a choice of lumen outputs and color temperatures make the energy-efficient LED Condor the ideal solution for industrial, commercial, and other high bay applications

Specifications – HBLED210W-4FT

Wattage	210W	CRI	80+
CCT	5000K	Mount Options	Vclips, 3' Hanging Chains, 5' or 10' Aircraft Cable Kit
Lumens	28,560*	Warranty	5 Years
Voltage	120-277V	Certifications	DLC Premium 5.1 and cULus
Efficacy	135 lm/W*	Starting Temp	-4°F - 122°F

*Efficacy based on 5000K. Data is considered to be representative of the series. Actual production may vary between up to ±10% of initial delivered lumens.



Order Information

High Bay Series HBLED				Example: HBLED85W/5000KFR-G3		
Series	Wattage	CCT	Lens	Generation	Sensor	Mount Options
HBLED	85W 155W	4000K 5000K	FR Frosted Lens	G3	Blank No Sensor	Blank Vclips only
	210W*	5000K		G3 or 4FT		
	300W		G3	EFS104 Bluetooth Motion Sensor	ACCK5LP 5' Aircraft Cable ACCK10LP 10' Aircraft Cable	

*210W available in G3 body (2' length) or 4FT body (4' length).

Mount Options

Conduit Mount Box



Chain Kit



Surface Mounting



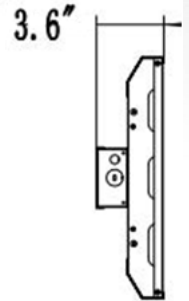
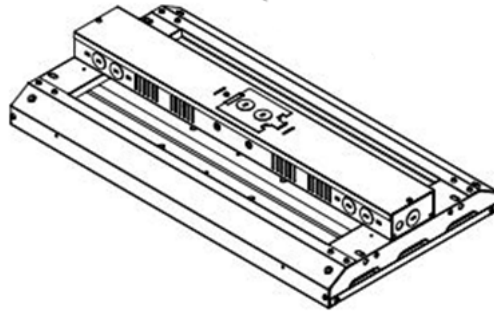
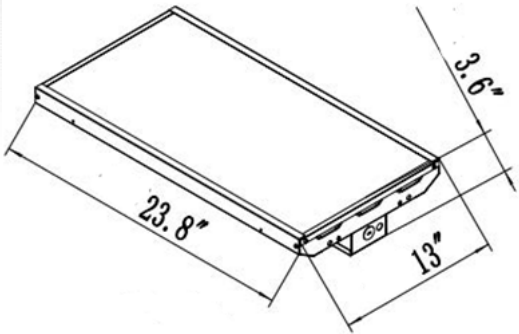
DLC Information

Item	DLC Version	DLC ID	Wattage	Lumens*
HBLED85W/4000KFR-G3	5.1 Premium	S-QXR0SE	85W	11,475
HBLED85W/5000KFR-G3	5.1 Premium	S-ZLVA18	85W	11,560
HBLED155W/4000KFR-G3	5.1 Premium	S-EQ9375	155W	20,925
HBLED155W/5000KFR-G3	5.1 Premium	S-IF5QS9	155W	21,080
HBLED210W/5000KFR-G3	5.1 Premium	S-B70TU9	210W	29,213
HBLED210W/5000KFR-4FT	5.1 Premium	S-E30PNW	210W	28,560
HBLED300W/5000KFR-G3	5.1 Premium	S-D5ZLRF	300W	40,800

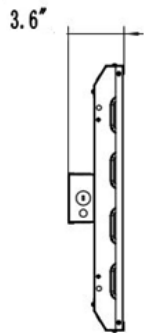
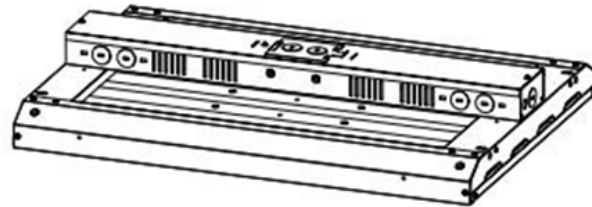
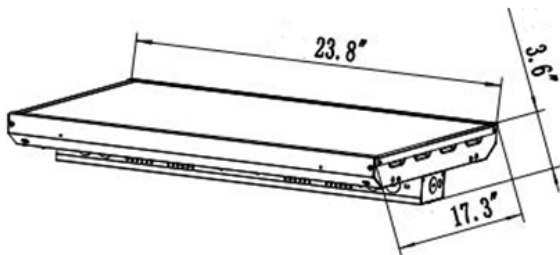
Dimensions

Item	Length	Width	Height	Weight
HBLED85W/4000KFR-G3	23.8"	13"	3.6"	10.12 lbs.
HBLED85W/5000KFR-G3	23.8"	13"	3.6"	10.12 lbs.
HBLED155W/4000KFR-G3	23.8"	13"	3.6"	10.45 lbs.
HBLED155W/5000KFR-G3	23.8"	13"	3.6"	10.45 lbs.
HBLED210W/5000KFR-G3	23.8"	17.3"	3.6"	12.54 lbs
HBLED210W/5000KFR-4FT	45.9"	13"	3.6"	16.28 lbs
HBLED300W/5000KFR-G3	45.9"	13"	3.6"	17.82 lbs

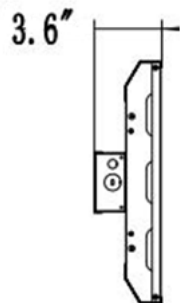
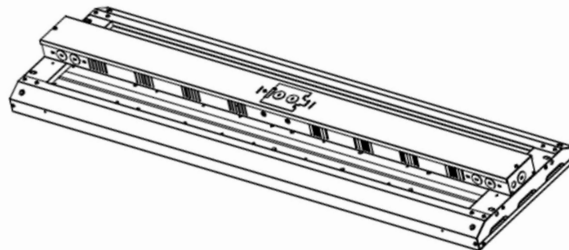
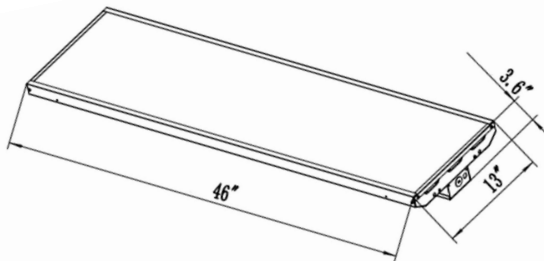
HBLED85W, HBLED155W



HBLED210W

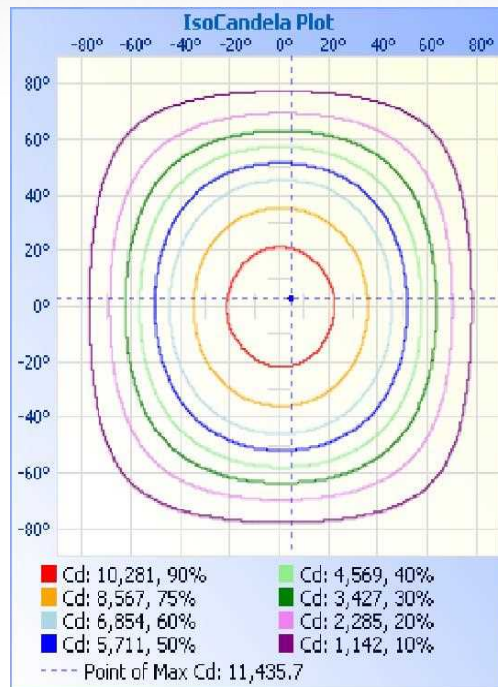
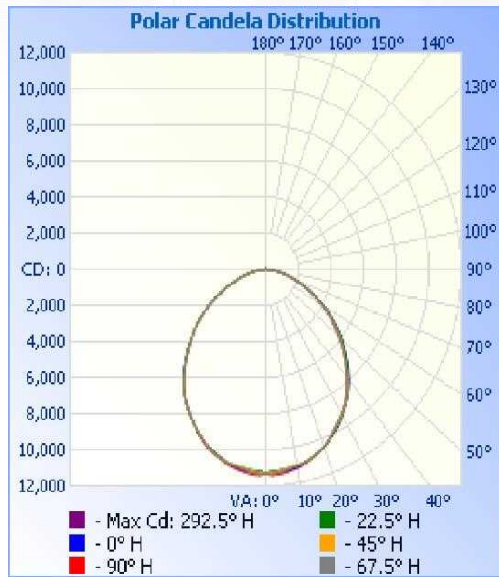


HBLED210W-4FT, HBLED300W



Photometrics

HBLED210W/5000KFR-4FT



Lumens Per Zone

Lumens Per Zone					
Zone	Lumens	%Total	Zone	Lumens	%Total
0-5	270.0	0.90%	90-95	8.2	0.00%
5-10	801.4	2.80%	95-100	5.1	0.00%
10-15	1302.9	4.50%	100-105	4.9	0.00%
15-20	1751.5	6.00%	105-110	4.5	0.00%
20-25	2132.9	7.30%	110-115	4.7	0.00%
25-30	2431.2	8.40%	115-120	4.8	0.00%
30-35	2646.3	9.10%	120-125	5.4	0.00%
35-40	2746.7	9.50%	125-130	6.1	0.00%
40-45	2725.1	9.40%	130-135	6.8	0.00%
45-50	2603.1	9.00%	135-140	7.4	0.00%
50-55	2393.8	8.20%	140-145	7.6	0.00%
55-60	2101.8	7.20%	145-150	7.5	0.00%
60-65	1732.0	6.00%	150-155	7.2	0.00%
65-70	1337.0	4.60%	155-160	6.7	0.00%
70-75	962.1	3.30%	160-165	6.0	0.00%
75-80	612.7	2.10%	165-170	4.9	0.00%
80-85	304.1	1.00%	170-175	3.1	0.00%
85-90	86.0	0.30%	175-180	1.0	0.00%

Zonal Lumen Summary		
Zone	Lumens	% Luminaire
0-30	8690.0	29.90%
0-40	14083.0	48.50%
0-60	23906.7	82.30%
60-90	5033.9	17.30%
70-100	1978.3	6.80%
90-120	32.3	0.10%
0-90	28940.6	99.60%
90-180	102.0	0.40%
0-180	29042.6	100.00%