

Stock Code: **20105LEDMG-BRZ/ACR**

Collection: Cove

PRODUCT INFORMATION

Base: 20105 Parent: 20105LEDMG
Mounting Type: Wall UPC: 641594223156
Finish: Bronze
Diffuser: Acrylic Lens

PRODUCT MEASUREMENTS

FIXTURE**	BACKPLATE / CANOPY**
Length:	Length
Width: 6"	Width: 3.25"
Diameter	Diameter:
Height: 12"	Height: 12"
Extension: 4"	
Overall Height:	

TECHNICAL SPECIFICATIONS

SPECIFICATIONS

Frame Material: Metal	
Diffuser Material: Acrylic	
Lamping Type: SSL (Dedicated LED)	Jbox: Standard
Lamping Base: SSL	Lamp Wattage: 15 W
Lamp Quantity: 1	Total Wattage: 15 W
Voltage: 120-277v	Lamps Included: Yes

QUALIFICATIONS

Location Rating Wet
 Certification: ETL (US/Canada) Listed
 ADA Compliant: Yes Energy Star: No
 JA8 Compliant: Outdoor Only Emergency Lighting: No
 Marine Grade Finish: Yes
 Warranty**: 5 Year

PHOTOMETRICS

Dimmable: No	Nominal Lumens: 800 Lm
CRI: 90	Delivered Lumens: 596 Lm
CCT: 3000K	
Recommended Dimmers:	

ADDITIONAL NOTES

Optional Color Temperature 100 Piece Minimum Order Quantity

Project Name: _____

Location: _____

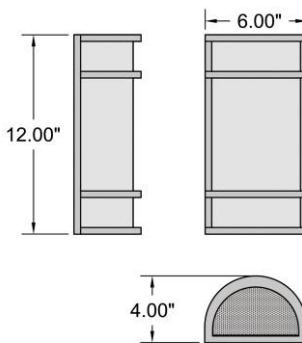
Type: _____

Quantity: _____

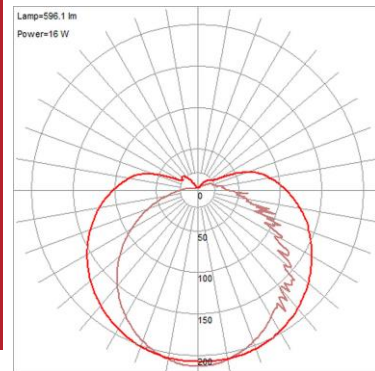
Notes: _____



LINE DRAWING



IES FILE



In addition to Access Lighting's purchase and warranty terms and conditions, by signing below or placing an order, you agree that you are authorized to bind the entity placing any order and acknowledge the following: All of sizes and measurements are approximate and all images are for illustrative purposes only. In the event of an inconsistency, the "Product Measurements" section controls. There also may be slight differences in the colors and designs compared to the displayed and printed images.

Signature: _____

Print Name _____ Date: _____

Toll Free 800-828-5483 www.AccessLighting.com

301 Piedmont Grove Park, Suite A, Greenville, SC 29611



** NOTE: All measurements are rounded up to the 1/4 inch. There is no warranty on any replaceable bulbs, even if included with the fixture. Copyright Access Lighting Corp. All information is subject to change without notice. 2/18/2024 20105LEDMG-BRZ_ACR.pdf