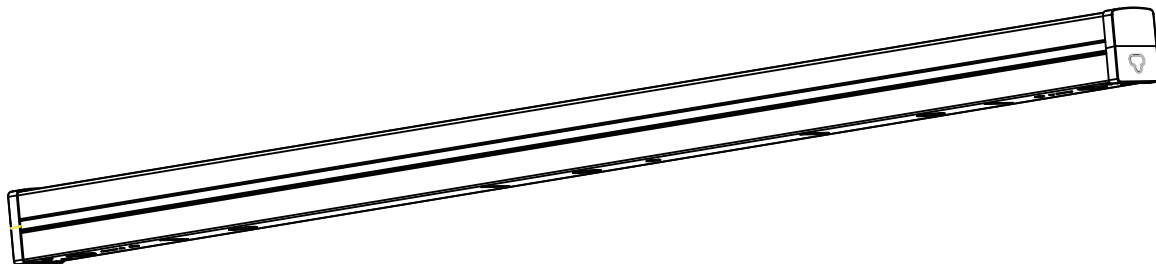


USE AND CARE GUIDE

LED 4 FT. STRIP LIGHT



Questions, problems, missing parts?
Call ETi SSL Customer Service
8:30 a.m. – 5 p.m., EST, Monday - Friday
1-855-ETI-SSL (1-855-384-7754)
www.ETiSSL.com

THANK YOU

Thank you for purchasing our LED product.

Visit us online at www.ETiSSL.com to see our full line of LED products. Thank you for choosing ETi SSL!

Table of Contents

Table of Contents.....	2	Suspend Installation.....	9
Safety Information.....	2	Suspend Installation (continued).....	10-14
Limited Warranty	2	Occupancy Sensor Installation	15
Pre-Installation.....	3	Maintenance Instruction.....	16
Planning Installation	3	Environment Requirement.....	16
Tools Required	3	Product Carried Standard.....	16
Hardware Included.....	3	Care and Cleaning.....	16
Surface Mounting Installation	4	Troubleshooting.....	16
Surface Mounting Installation (continued).....	5-8		

Safety Information



WARNING: Carefully read and understand the information given in this manual before beginning the assembly and installation. Failure to do so could lead to electric shock, fire, or other injuries which could be hazardous or even fatal.



WARNING: Ensure the electricity to the wires you are working on is shut off. Either remove the fuse or turn off the circuit breaker.



WARNING: Changes or modifications not expressly approved by the party responsible for compliance could void the user's authority to operate the equipment.



WARNING: The maximum number of 4 ft units that can be linked together is 6. If more than 6 units are linked together this could create operational failure of the product.
WARNING: For safety, linked installations can be installed as flushmount and suspend. Installation can only be conducted by the professional electrician, otherwise, there is a potential fire hazard.



WARNING: This equipment has been tested and found to comply with the limits for a Class B digital device, pursuant to Part 15B of the FCC Rules. These limits are designed to provide reasonable protection against harmful interference in a residential installation.

This equipment generates, uses and can radiate radio frequency energy and, if not installed and used in accordance with the instructions, may cause harmful interference to radio communications.

However, there is no guarantee that interference will not occur in a particular installation. If this equipment does cause harmful interference to radio or television reception, which can be determined by turning the equipment off and on, the user is encouraged to try to correct the interference by one or more of the following measures:

- Reorient or relocate the receiving antenna
- Increase the separation between the equipment and the receiver.
- Connect the equipment into an outlet on a circuit different from that to which the receiver is connected.
- Consult the dealer or an experienced radio/TV technician for help.

NOTICE: Minimum 75° supply conductors.

Limited Warranty

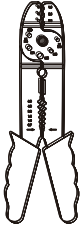
This product is warranted for a period of 5 years from the date of original purchase against defects in materials and workmanship. If this product should fail to operate due to defects in material or workmanship within 60 months of purchase, see www.ETiSSL.com for details. This product will be repaired or replaced, at ETi's option. This warranty is expressly limited to repair or replacement of product and liability for direct, incidental, or consequential damages is hereby expressly excluded. Some states do not allow exclusions of direct, incidental or consequential damages so the above limitation of exclusion may not apply to you. This warranty gives the consumer specific legal rights, which vary from state to state. **WARRANTY IS VOID IF PRODUCT IS NOT USED FOR THE PURPOSE WHICH THIS PRODUCT IS MANUFACTURED.**

Pre-Installation



NOTE: Keep your receipt and these instructions for proof of purchase.

TOOLS REQUIRED



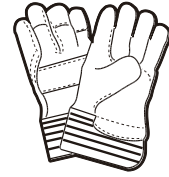
Wire Strippers



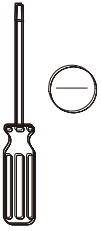
Safety Goggles



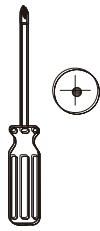
Ladder



Gloves



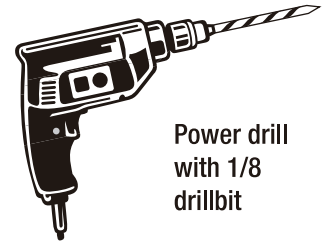
Flathead Screwdriver



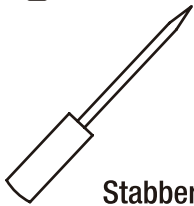
Phillips Screwdriver



Wire Cutters



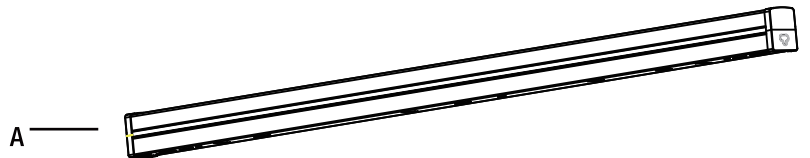
Power drill with 1/8 drillbit



Stabber

PACKAGE CONTENTS

Part	Description	Quantity
A	LED 4 FT. STRIP LIGHT	1



HARDWARE REQUIRED



NOTE: Hardware not shown to actual size. Hardware for Occupancy Sensor (90600121) is not included, please contact ETI for separate purchase.

Part	Description	Quantity
AA	Wire Nuts	5
BB	Aircraft Cable (not included)	2
CC	Plastic Drywall Anchor	2
DD	Mounting Screw (0.6in)	2
EE	End to End Connector	1
FF	Linking Cord (12in)	1
R	Mounting Bracket (4in not included)	1
B	Occupancy Sensor (not included)	1



AA



BB



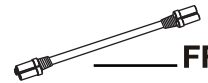
CC



DD



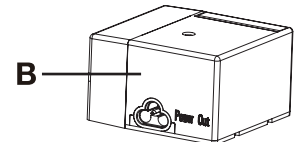
EE



FF



R

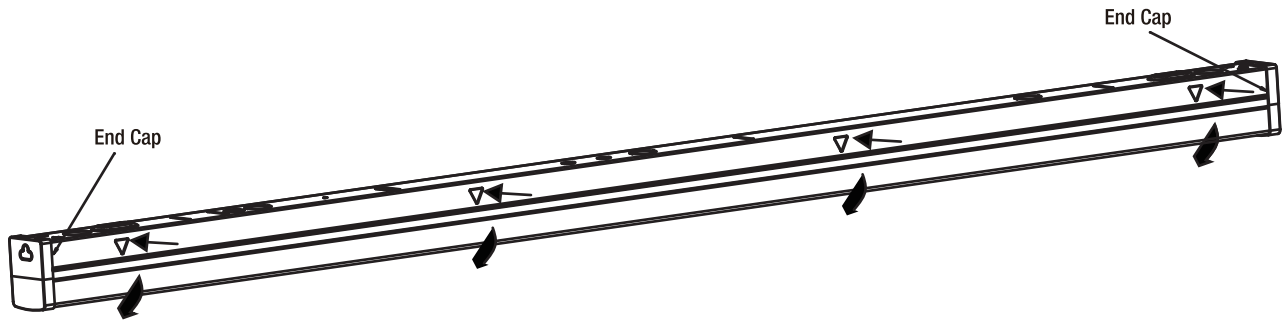


B

Surface Mounting Installation

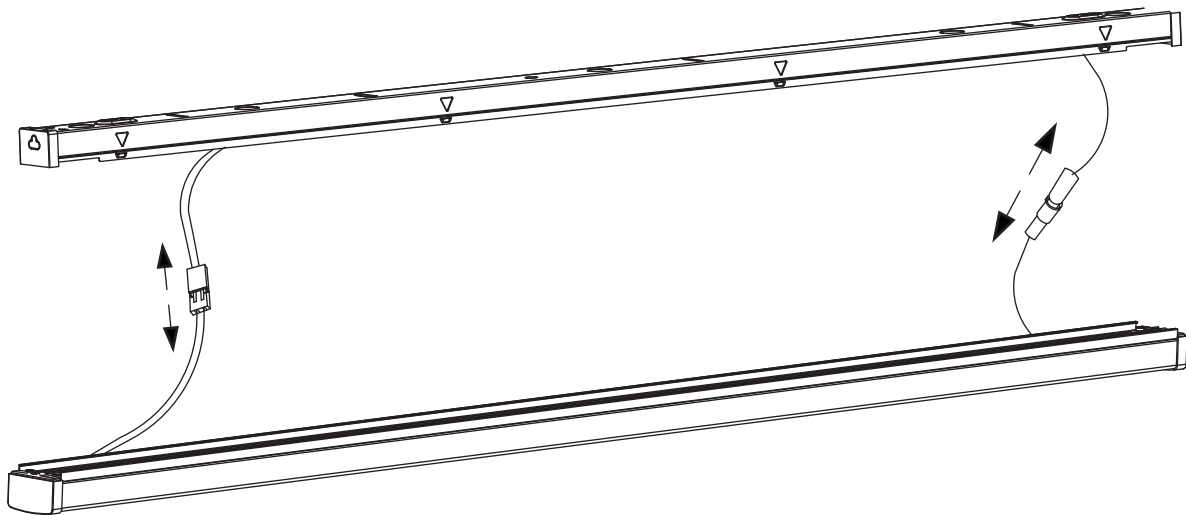
1 Preparing the strip light for installation

- Press the bottom frame of the strip light plate inward in the direction of the arrows, and lift the strip light lens cover with the other hand as indicated.



2 Preparing the strip light for installation

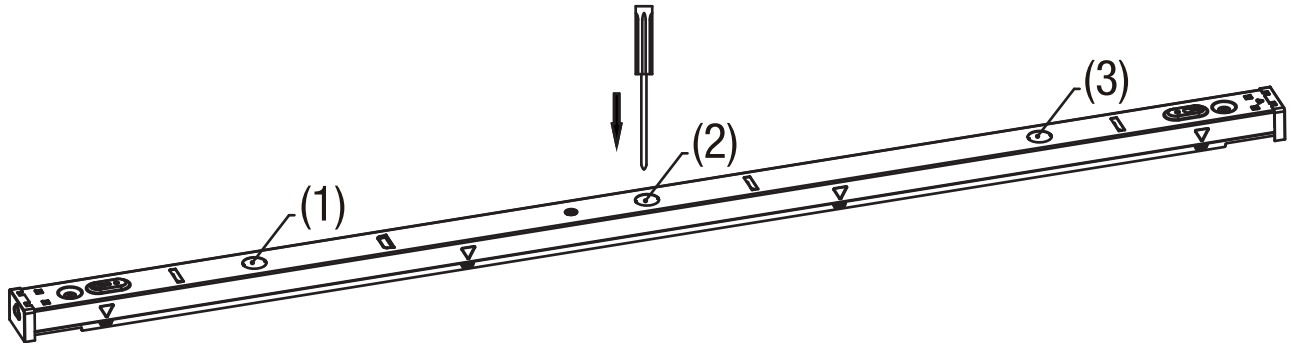
- After separate the lens cover from the strip light, unplug the wire connectors to separate the terminal wires and ground wire inside the strip light.



Surface Mounting Installation (continued)

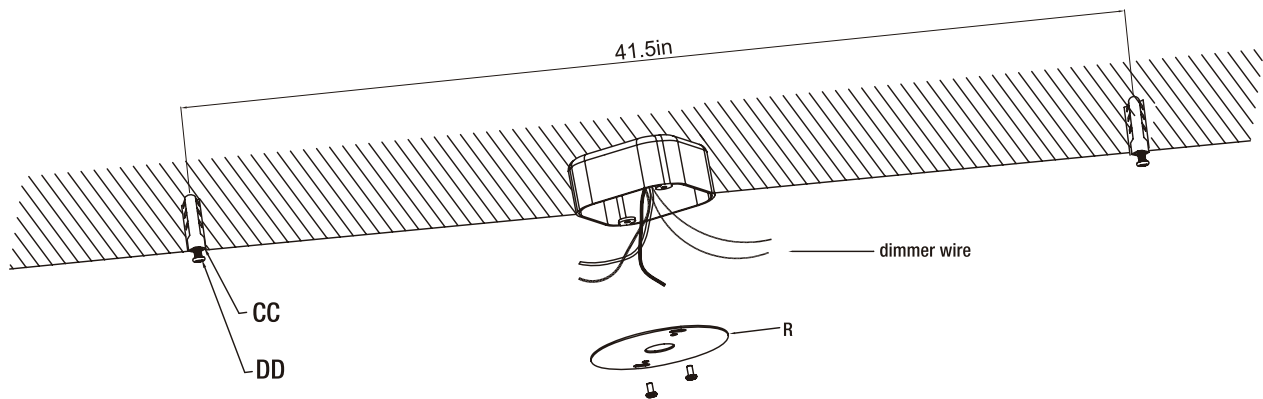
3 Removing one of the knockouts in the strip light

- Turn over the strip light plate. Using a screwdriver, punch out one of the three large holes (1, 2 or 3) for wiring based on the installation position.



4 Installing the mounting screws

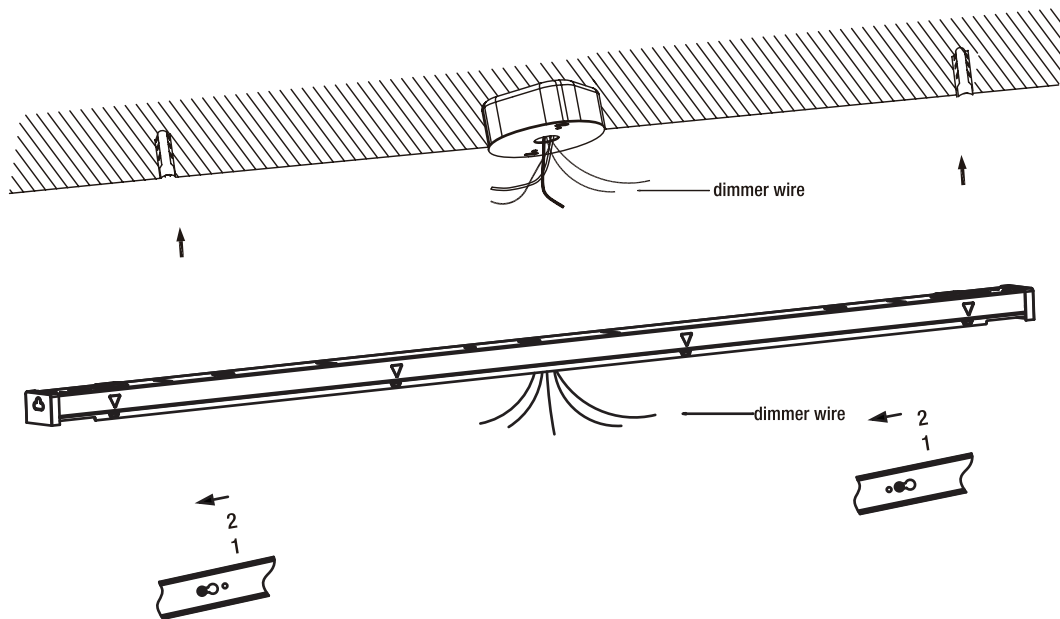
- Mark two keyholes mounting position of the strip light plate on the ceiling. Drill a hole in the ceiling for each of the two mounting holes.
- Install a plastic drywall anchor (CC) and a mounting screw (DD) in each drilled mounting hole. Then use two screws (not included) to fix the 4 in. mounting bracket (R - not included) on the outlet box.



Surface Mounting Installation (continued)

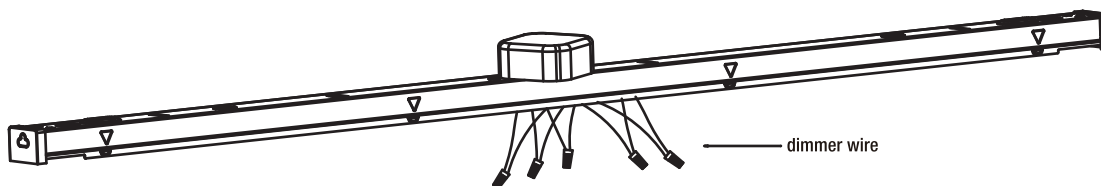
5 Installing the strip light to the ceiling

- Align the two mounting holes on the strip light plate with the two mounting screws in the ceiling. Once both screw heads are through the large ends of the keyholes (position 1), slide the strip light plate to the left until the heads of the screws slide into the narrow ends of the keyholes (position 2). Use a screwdriver to tighten the mounting screws.



6 Connecting the wires

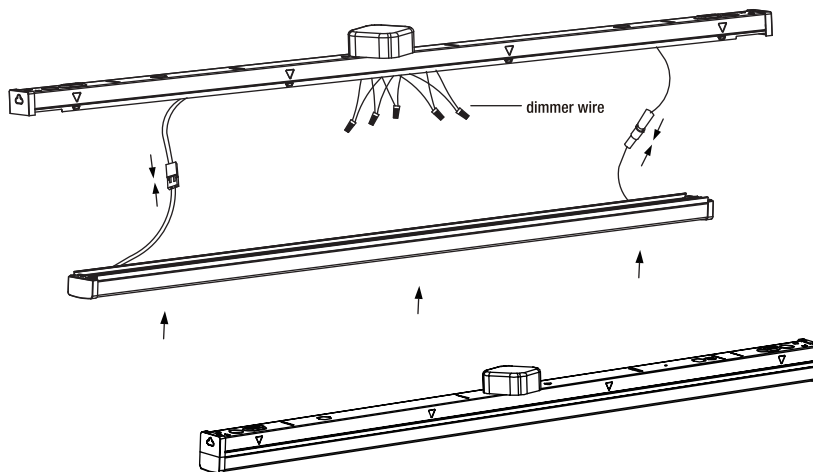
- Connect the black wire and wire L together.
- Connect the white wire and wire N together.
- Connect the green wire and earth wire together.
- Connect the purple wire and the anode of the dimmer, and connect the green wire and the cathode of the dimmer.
- Finally, fix all of them with wire nuts (AA).



Surface Mounting Installation (continued)

7 Connecting the base

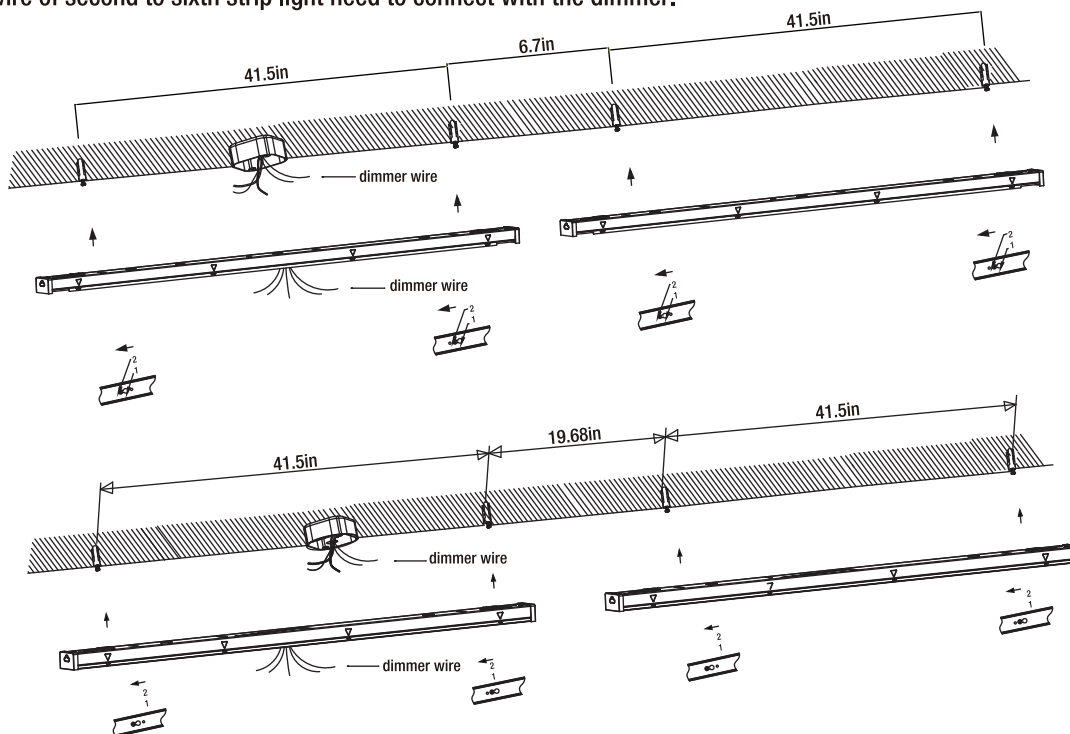
- Follow up the arrow direction to tighten upper cover and bottom cover as picture below.



Note: Step 8~9 is for the surface mounting linkable installation.

8 Installing multiple strip light

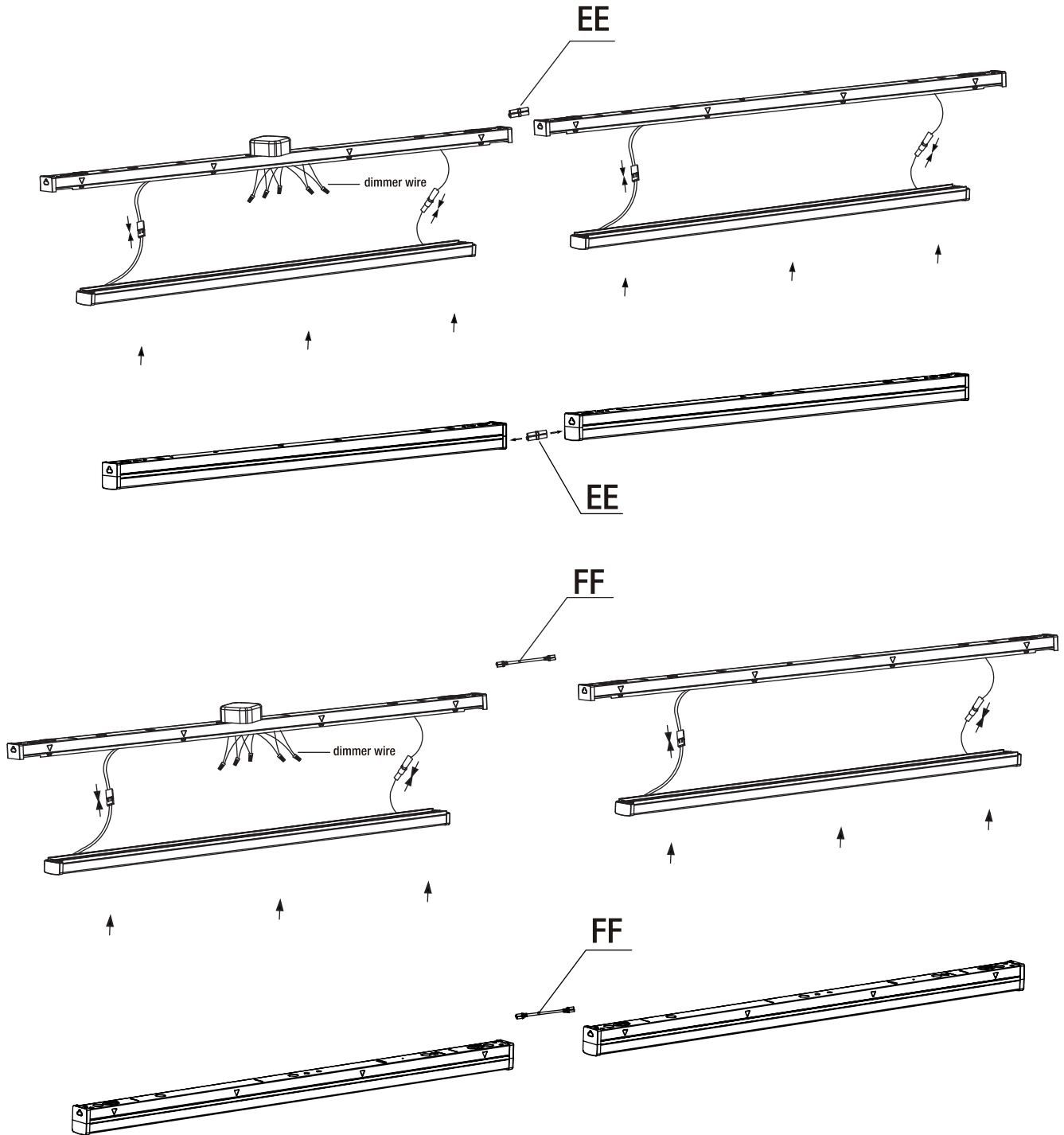
- Installing multiple strip lights according to 1~5 steps that are mentioned above (maximum 6 units). The distance between two strip lights is 6.7in when use the End to End Connector (EE). And the distance between two strip lights is 19.68in when use the Linking Cord (FF). The first strip light installation is same as the 6~7 steps that are mentioned above, and the dimmer wire of second to sixth strip light need to connect with the dimmer.



Surface Mounting Installation (continued)

9 Connecting the base and lens wiring

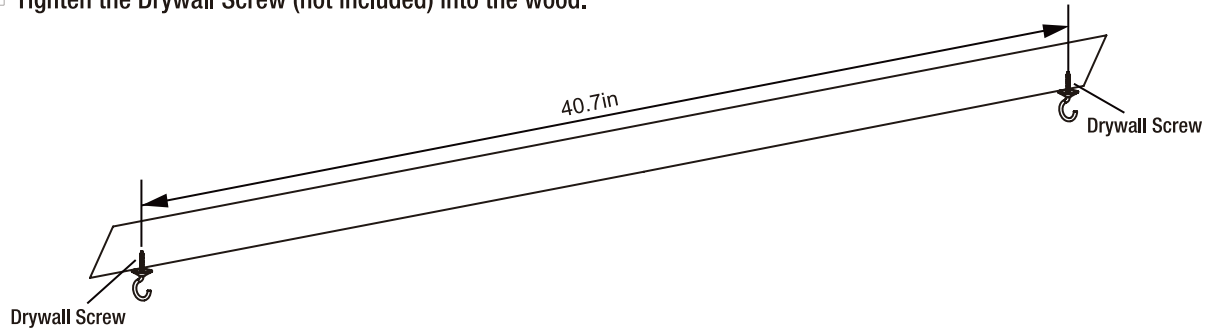
- Follow up the arrow direction to connect each line together, and tighten upper cover and bottom cover as picture below.



Suspend Installation

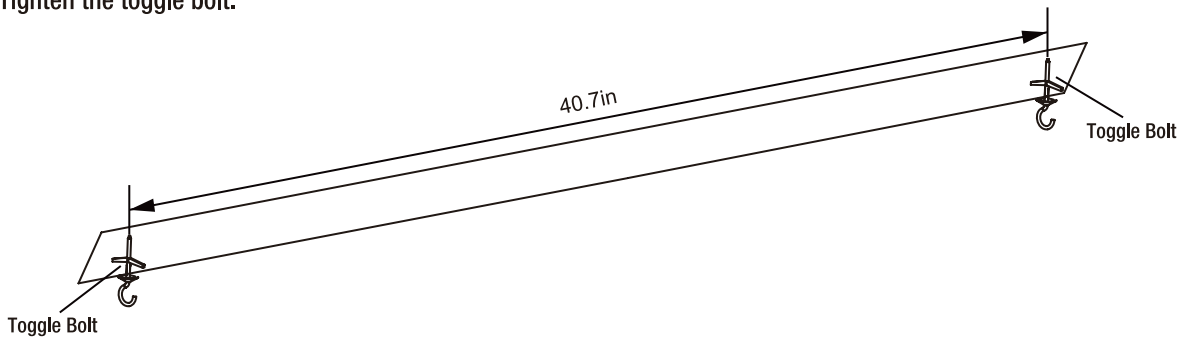
1 Mounting to drywall

- Drill two hole (distance between two hole is 40.7in) in the ceiling.
- Make sure to fasten the combo wood-machine end into the metal hook.
- Tighten the Drywall Screw (not included) into the wood.



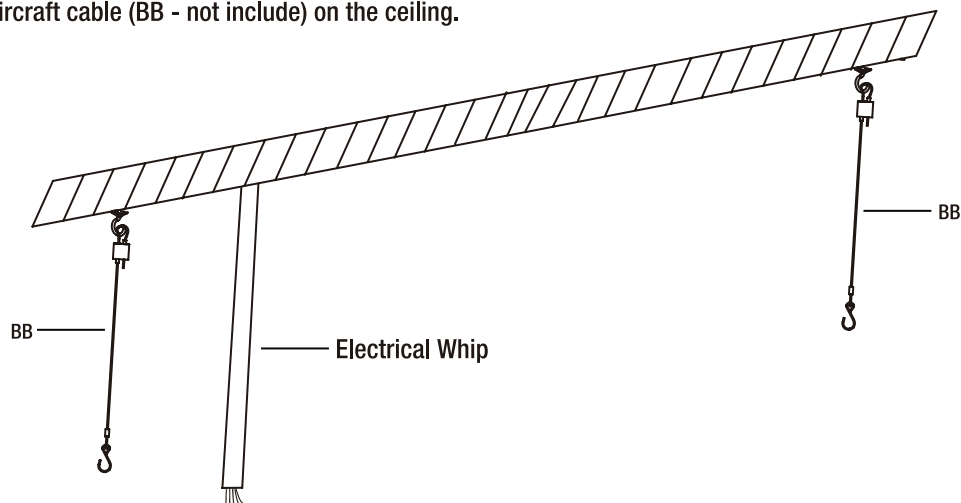
2 Mounting to wood

- Drill two hole (distance between two hole is 40.7in) in the ceiling to clear the closed flaps of the Toggle Bolt (not included).
- Make sure to fasten the toggle bolt into the butterfly nut before inserting the flaps into the ceiling.
- Tighten the toggle bolt.



3 Attaching the aircraft cable to the ceiling

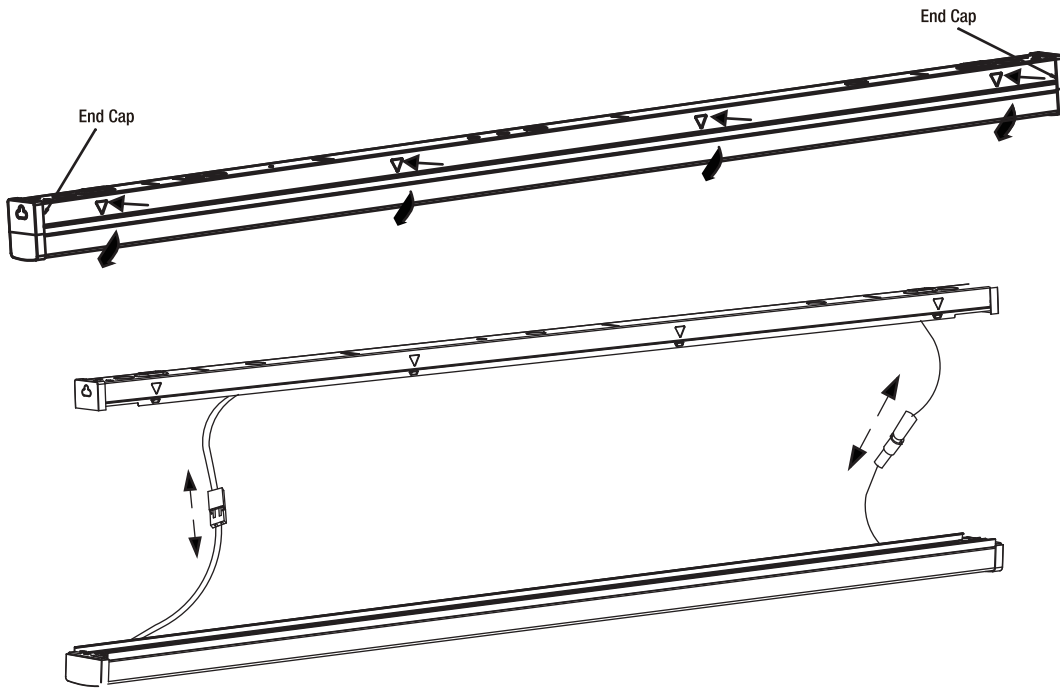
- Hang the aircraft cable (BB - not include) on the ceiling.



Suspend Installation (continued)

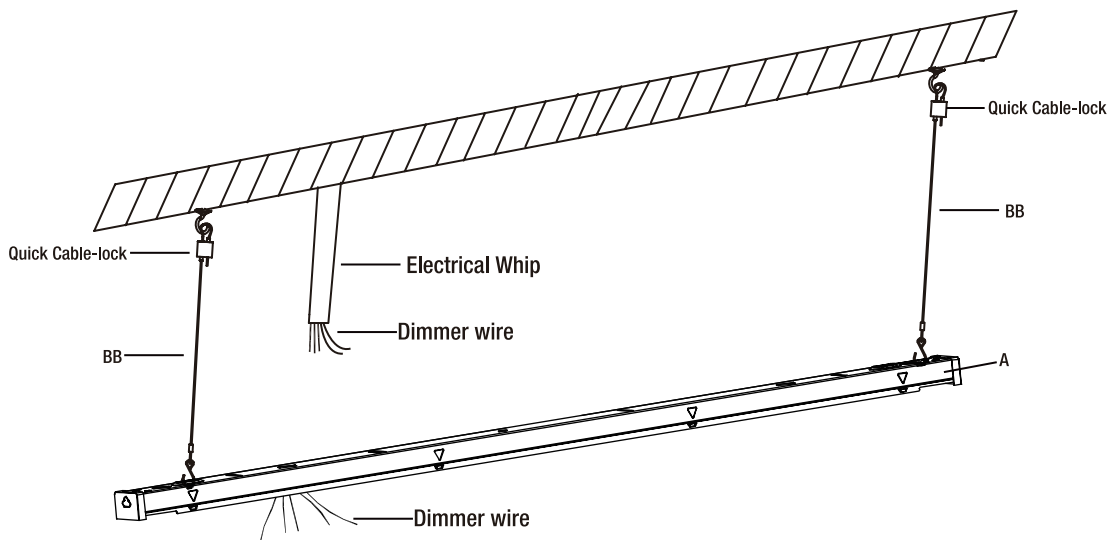
4 Preparing the strip light for installation

- Press the bottom frame of the strip light plate inward in the direction of the arrows, and lift the strip light lens cover with the other hand as indicated.
- After separate the lens cover from the strip light, unplug the wire connectors to separate the terminal wires and ground wire inside the strip light.



5 Attaching the Strip Light to aircraft cable

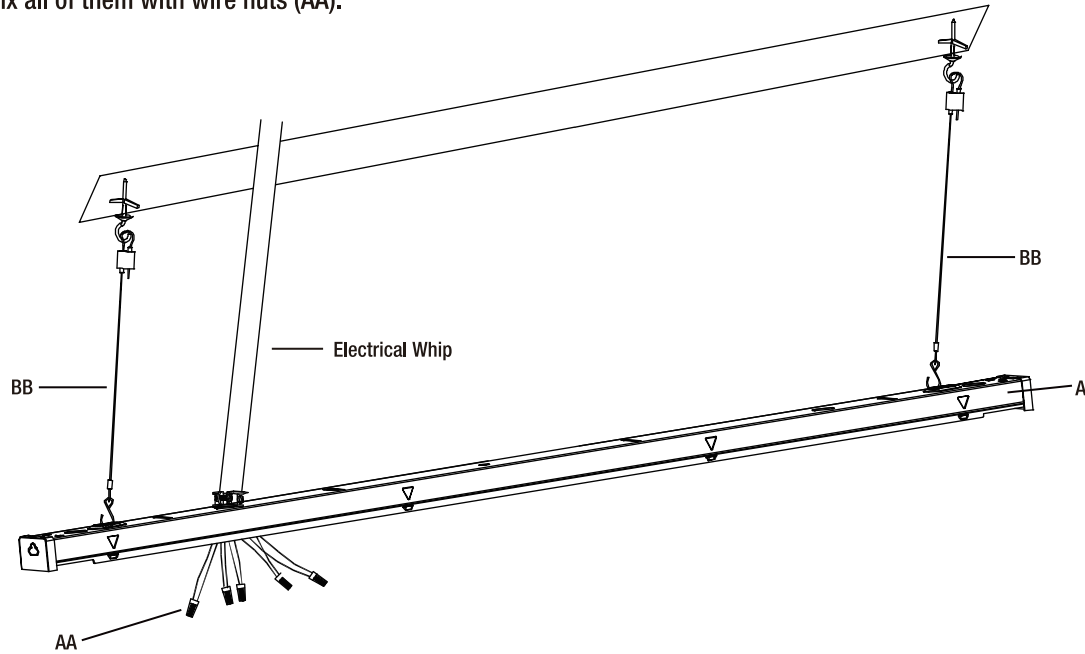
- Install “S” shaped hook of aircraft cable (BB) on the LED Strip Light (A).
- Repeat this step on the other side of the LED Strip Light (A).
- Adjust aircraft cable to level light at the proper height by quick cable-lock.



Suspend Installation (continued)

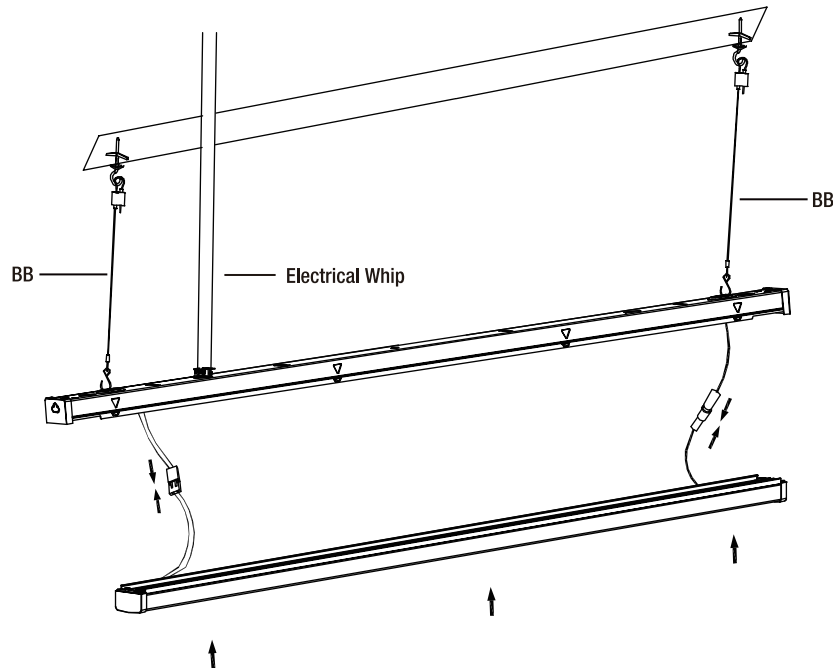
6 Connecting the wires

- Connect the black wire and wire L together.
- Connect the white wire and wire N together.
- Connect the green wire and earth wire together.
- Connect the purple wire and the anode of the dimmer, and connect the green wire and the cathode of the dimmer.
- Finally, fix all of them with wire nuts (AA).



7 Connecting the base

- Follow up the arrow direction to tighten the upper cover and bottom cover as picture below.

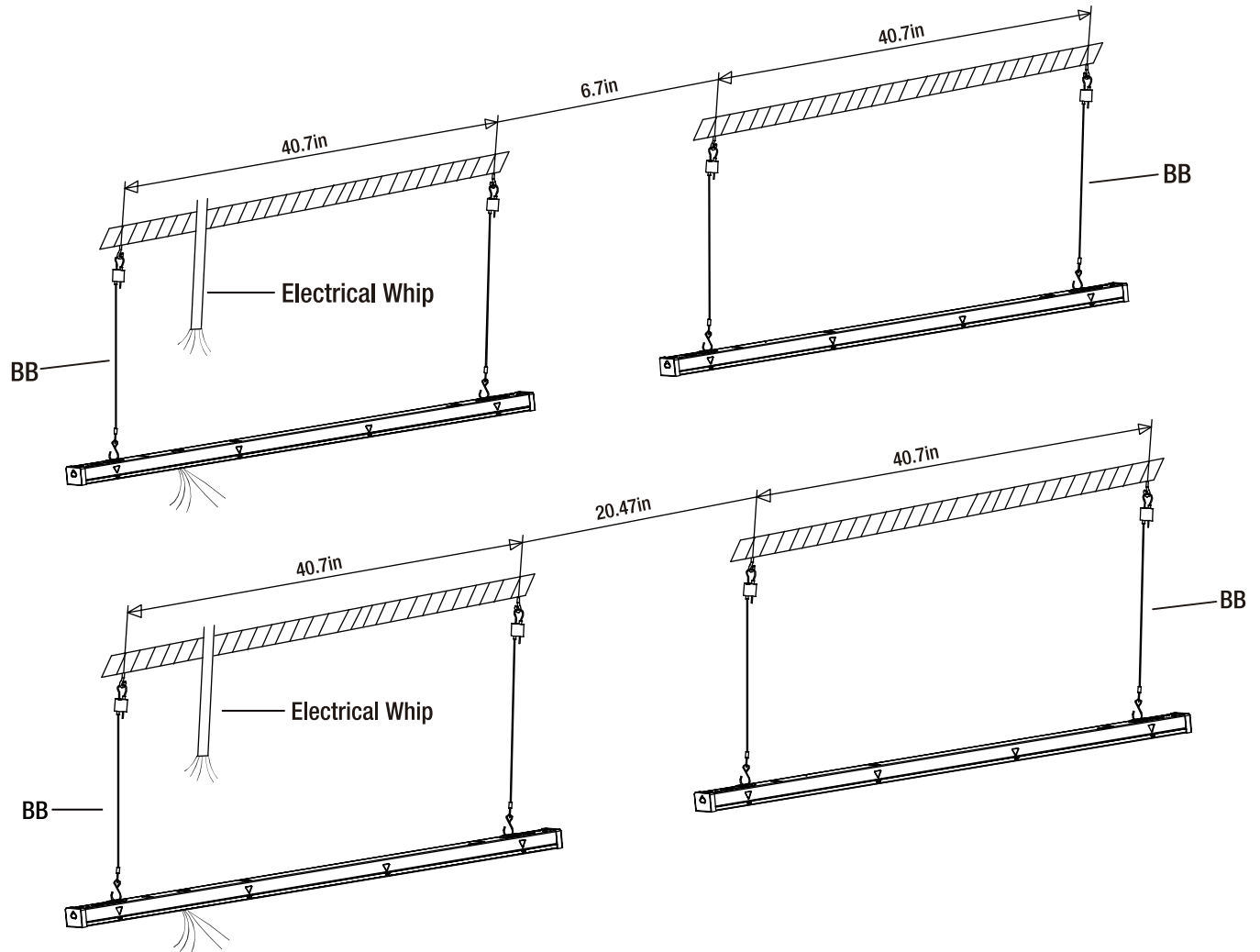


Suspend Installation (continued)

Note: Step 8~10 is for the suspend linkable installation.

8 Installing multiple strip lights

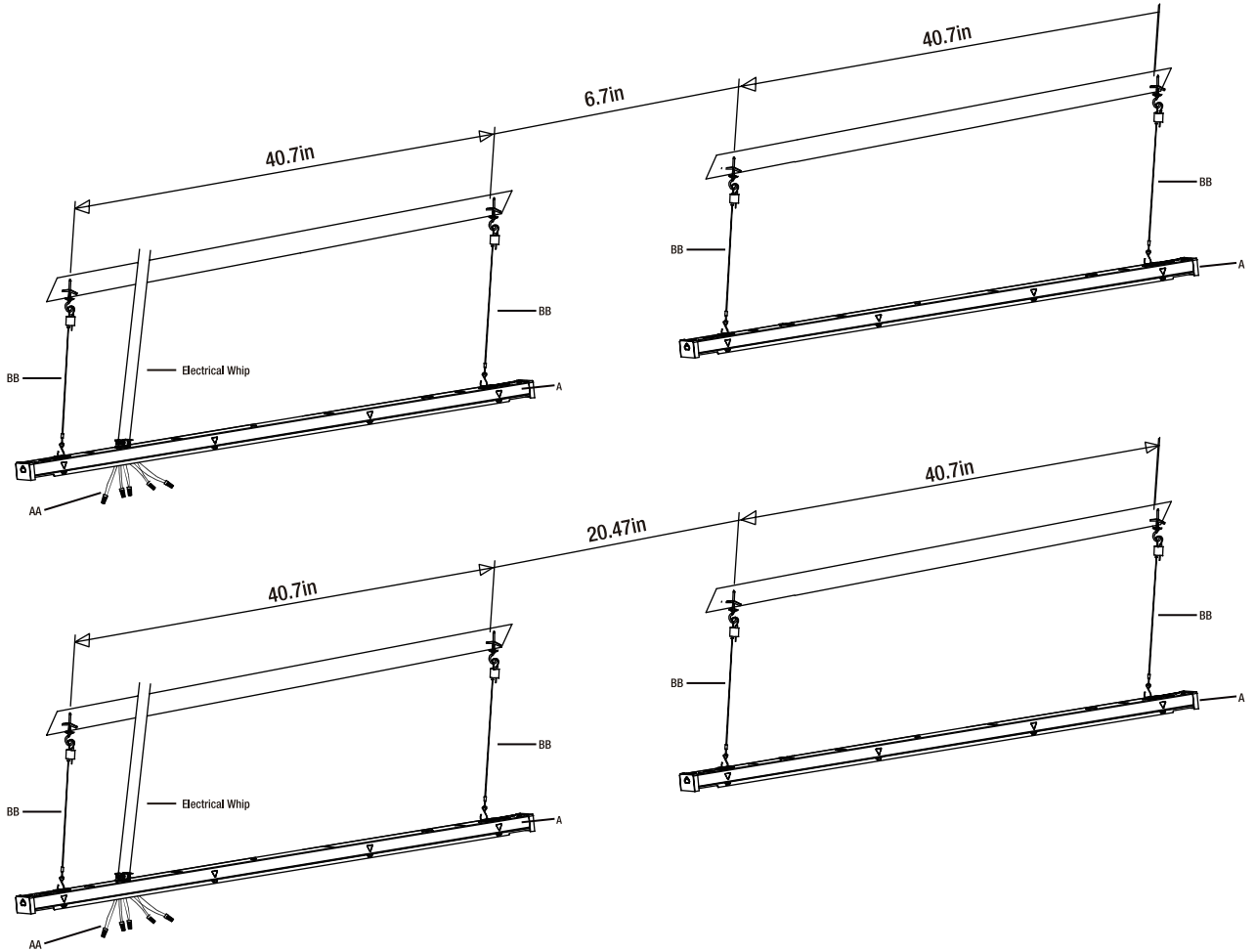
- Installing multiple strip lights according to 1~5 steps that are mentioned above (maximum 6 units). The distance between two strip lights is 6.7in when use the End to End Connector (EE). And the distance between two strip lights is 20.47in when use the Linking Cord (FF). The first strip light installation is same as the 6~ 7 steps that are mentioned above, and the dimmer wire of second to sixth strip light need to connect with the dimmer.



Suspend Installation (continued)

9 Connecting the wires

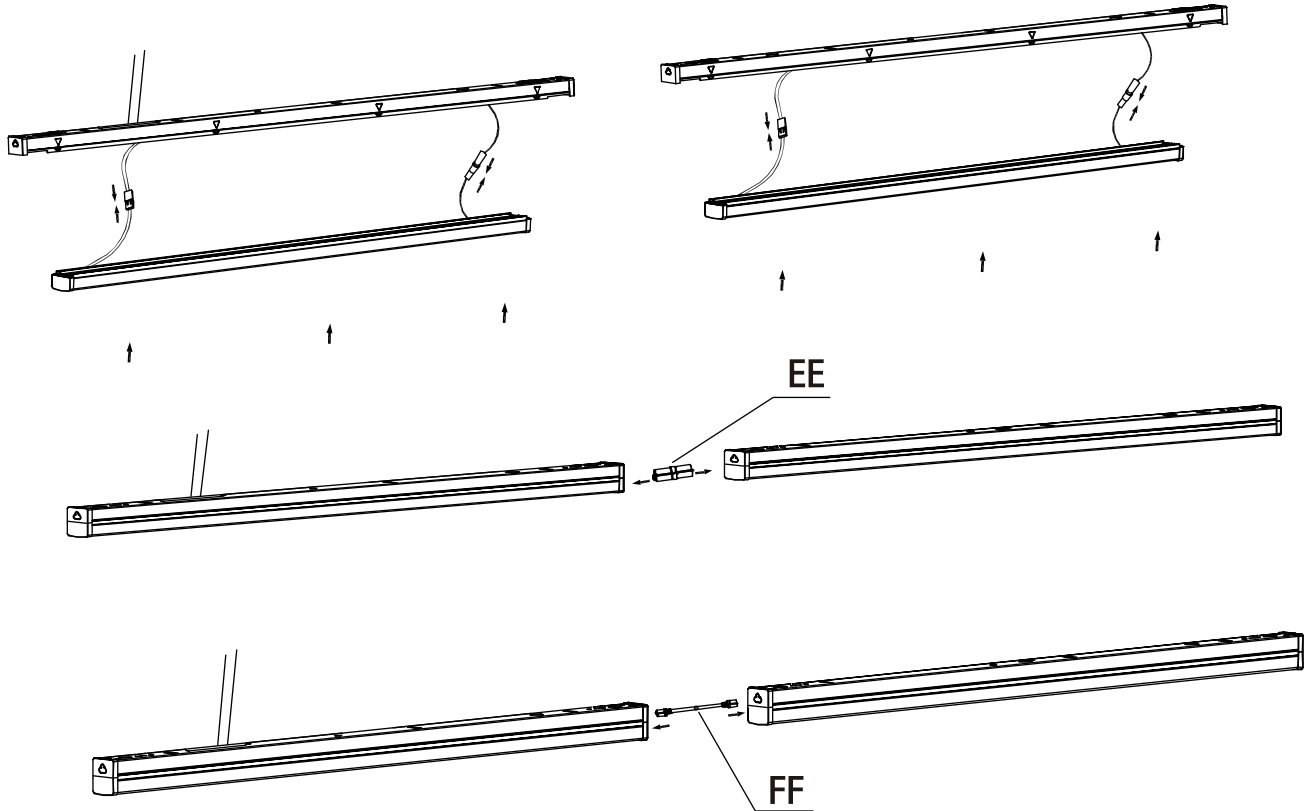
- Connect the black wire and wire L together.
- Connect the white wire and wire N together.
- Connect the green wire and earth wire together.
- Connect the purple wire and the anode of the dimmer, and connect the green wire and the cathode of the dimmer.
- Finally, fix all of them with wire nuts (AA).



Suspend Installation (continued)

10 Connecting the base

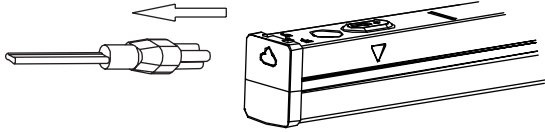
- Follow up the arrow direction to tighten upper cover and bottom cover as picture below.



Installing for use with selected linkable plug-in LED strip light

1 Preparing the fixture

- Unplug the power cord from the electrical outlet and from the light fixture.

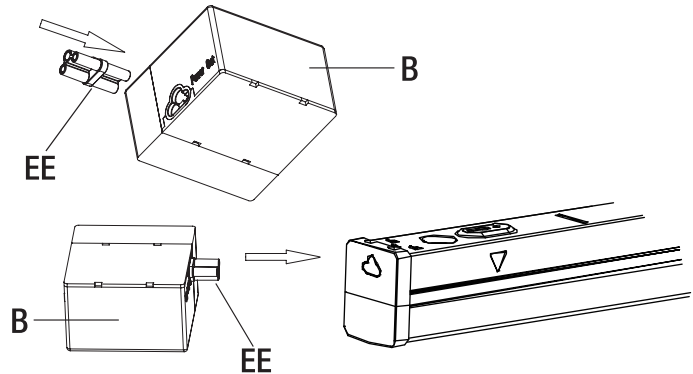


2 Connecting the sensor module to the fixture

- Insert the small End to End connector (EE) to the Power Out side of the sensor module (B).
- Push the other end of the End to End connector (EE) into the Power end of the fixture.
- Make sure both connections fit securely.



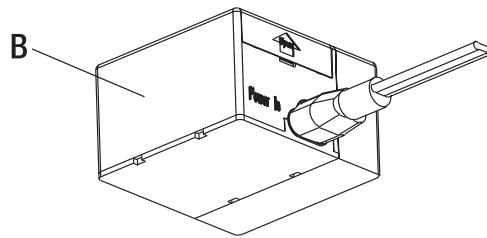
NOTE: The sensor module (B) notes which end is Power In and which is Power Out.



Installing for use with selected linkable plug-in LED strip light

3 Turning on the power

- Insert the power cord firmly into the Power In end of the sensor module (B).
- Plug the power cord into the electrical outlet.
- Turn on the light fixture.



Maintenance Instruction

- 4.1 Do Not use volatile solvent such as alcohol to clean the troffer.
- 4.2 Use soft cotton cloth with suds to clean the troffer .
- 4.3 Non-professional Do not attempt to take apart and repair the troffer .
- 4.4 Please use the constant-current driver exclusively adaptive to the troffer, do not change the driver without permission .

Environment Requirement

Operating temperature: -4 °F~113 °F.

Product Carried Standard

UL-153/UL1598

Care and Cleaning



CAUTION: Before attempting to clean the fixture, disconnect the power to the fixture by turning the breaker off or removing the fuse from the fuse box.

Clean the fixture with a soft, dry cloth.
Do not use any cleaners with chemicals, solvents, or harsh abrasives.

Troubleshooting

Problem	Possible Cause	Solution
The fixture will not light.	The power is off.	Ensure the power supply is on.
	The circuit breaker is off.	Ensure the circuit breaker is in the on position.
The fuse blows or the circuit breaker trips when the light is turned on.	The wires are crossed or the power wire is grounding out.	Check the wire connections. Contact a qualified electrician or call the Customer Service Team at 1-855-384-7754.



Questions, problems, missing parts?
Call ETi SSL Customer Service
8:30 a.m. – 5 p.m., EST, Monday - Friday
1-855-ETI-SSL (1-855-384-7754)
www.ETiSSL.com

Retain this manual for future use.

rev. 2017.12.11

Imported by
ETi Solid State Lighting, Inc.
The Americas Headquarters
720 Corporate Woods Parkway
Vernon Hills, IL 60061

Made in China