

UFO highbay

C-LINE: RHB3 UFO High Bays

3-CCT + 3-Power Selectable



WATT	LUMENS
60	9,000
100	15,000
150	22,500
180	27,000
210	31,500
240	36,000

Detail Specifications:

- Finish: Black or White
- IP Rating: IP67 Wet Location
- Beam Angle: 110°
- Chip: SMD 2835, R9 >50, CRI >80
- Operating Temperature: -40° - 113° F
- Lens: Clear Acrylic
- Average life (L70) of 70,000 hours

Applications:

- Warehouse/Distribution Facility
- Utility & Storage
- Garage Structures
- Commercial and Industrial

Product Information:

- Sturdy die-cast aluminum housing finished with corrosion free powder coat
- Compact design for easy installation
- Replace existing fixtures or use in new construction
- Instant-On to full brightness
- Select-n-Switch Technology: 3-CCT + 3-Power Selectable
- Twist-C Control: Control ready receptacle built into each fixture

Driver Options:

- UNV: 120-277V 0-10V Dimmable
- HV: 277-480V 0-10V Dimmable
- THD: <20% (+/-5% tolerance), PF >0.9, 50/60Hz
- Flicker Free

Mounting & Installations:

- 10' whip included
- Clip on eye hook included with each fixture
- Optional pendant mount for 1/2" pipe available
- Optional surface mount kits available

Certifications:

- UL Listed for USA and CA
- DLC Listed
- NSF Listed
- ROHS Compliant
- Approved for CA T24
- 5 Year Limited Warranty
- FCC CFR 47, GCC Part 15, Subpart B:2017

Optional Accessories (Order Separately)

Sensors	Remote for Sensors	Reflector	Reflector Bottom Cover	Wire Guards	Mounting Kits	Emergency 2 Backup
HB01DMS-A Bi-Level Motion + Daylight Sensor	HB03R Remote	RHB3-100/150-ALM-RF-90 Aluminum Reflector for 100 & 150W	RHB3-UNV-ACR-BC Acrylic Lens	RHB3-100/150-WG Wire Guard for 100 & 150W	RHB-100/150-SM Surface Mount Kit for 100 & 150W	LED-EMB-30W-HV-UFO-BL Emergency Backup (Black)
		RHB3-240-ALM-RF-90 Aluminum Reflector for 240W		RHB3-240-WG Wire Guard for 240W	RHB-240-SM Surface Mount Kit for 240W	30W-HV-UFO-WH Emergency Backup (White)
		RHB3-100/150-ACR-RF 90° Acrylic Reflector for 100 & 150W			RHB-PDM-HK 1/2" Pip Pendant Mount	UFO-TEST-CTR Test Button Controller
		RHB3-240-ACR-RF 90° Acrylic Reflector for 240W				

1. Reflectors and wire guards can't be mixed together. i.e. if fixture uses a reflector, it wont work with a wire guard.
2. Custom emergency backup option available in surface mount applications. Contact us for more information.

1. Production item for high voltage

Specs and model numbers are subject to change with or without notice.

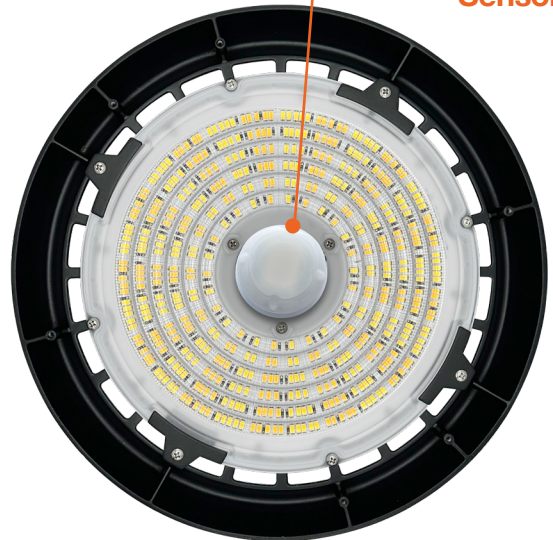
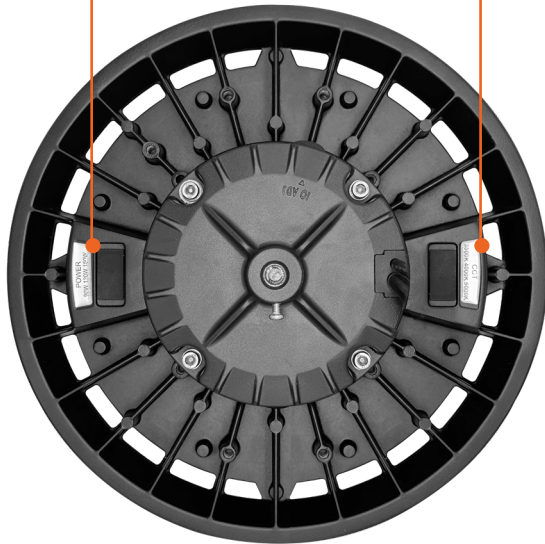
FEATURES



3-Power Selectable

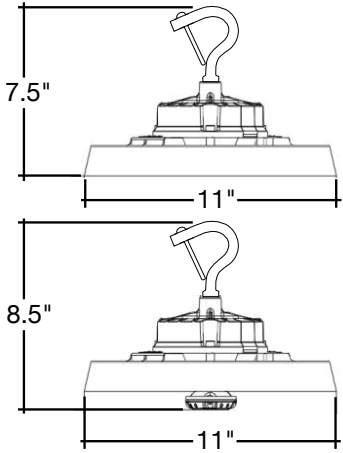


3-CCT Selectable



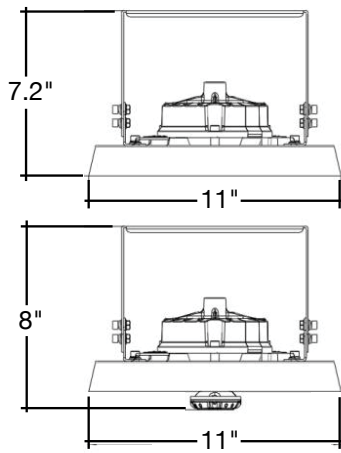
DIMENSIONS

Pendant Mount

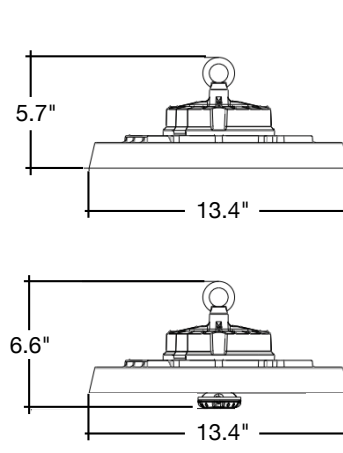


3P150W

Surface Mount

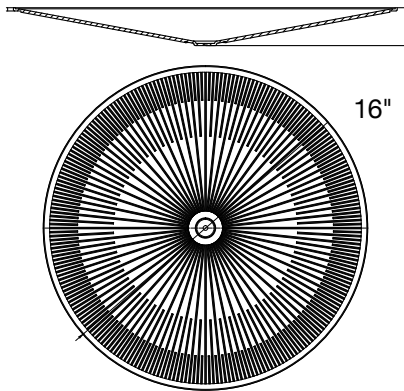
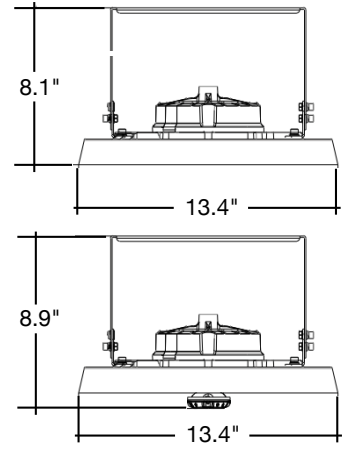


Pendant Mount



3P240W

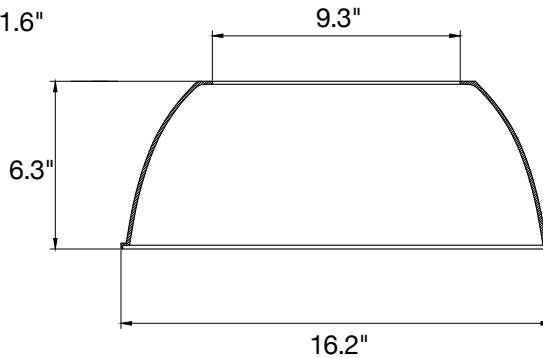
Surface Mount



Acrylic Bottom Cover (90°)

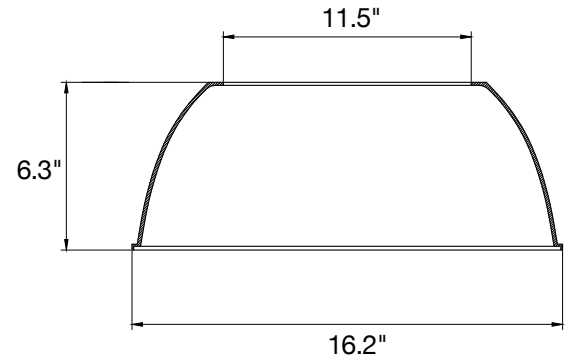
RHB3-UNV-ACR-BC

Only Compatible with ACR Reflectors



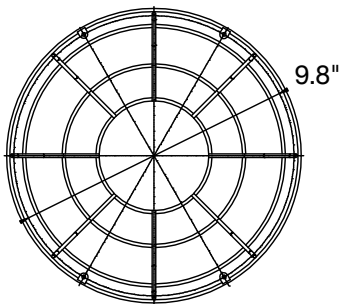
Acrylic Reflector (90°)

RHB3-100/150-ACR-RF



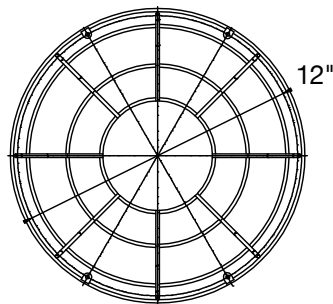
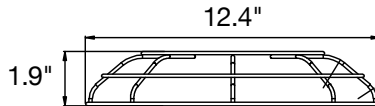
Acrylic Reflector (90°)

RHB3-240-ACR-RF



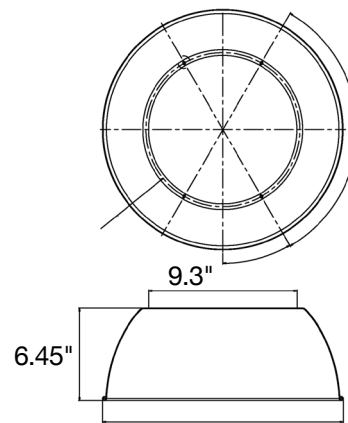
Wire Guard

RHB3-100/150-WG



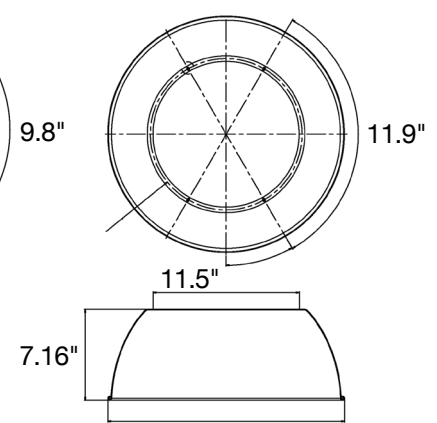
Wire Guard

RHB3-240-WG



Aluminum Reflector

RHB3-100/150-ALM-RF-90



Aluminum Reflector

RHB3-240-ALM-RF-90



RHB3-100/150-ALM-RF-90
RHB3-240-ALM-RF-90



RHB3-100/150-ACR-RF
RHB3-240-ACR-RF



RHB3-UNV-ACR-BC



**Acrylic Reflector
Bottom Cover & Sensor**



RHB3-100/150-WG
RHB3-240-WG



RHB-PDM-HK



RHB-100/150-SM
RHB-240-SM



LED-EMB-30W-HV-UFO-BL
LED-EMB-30W-HV-UFO-WH



UFO-TEST-CTR



HB03R



HB01DMS-A

Model	Voltage	Watts	Lumens	Color	CRI
LED-RHB3C-3P150W-CTRI-BL-6'	120-277V	60/100/150w	130lm/w	35/40/35k	>80
LED-RHB3C-3P150W-CTRI-WH-6'	120-277V	60/100/150w	130lm/w	35/40/35k	>80
LED-RHB3C-3P240W-CTRI-BL-6'	120-277V	180/210/240w	130lm/w	35/40/35k	>80
LED-RHB3C-3P240W-CTRI-WH-6'	120-277V	180/210/240w	130lm/w	35/40/35k	>80

REFLECTORS

Accessory Model	Description
RHB3-100/150-ALM-RF-90	90° Aluminum reflector for 100 & 150W
RHB3-240-ALM-RF-90	90° Aluminum reflector for 240W
RHB3-100/150-ACR-RF	90° Acrylic reflector for 100 & 150W
RHB3-240-ACR-RF	90° Acrylic reflector for 240W

REFLECTOR BOTTOM COVERS

Accessory Model	Description
RHB3-UNV-ACR-BC	Acrylic Bottom Cover 90°

WIRE GUARDS

Accessory Model	Description
RHB3-100/150-WG	Wire guard for 100 & 150W
RHB3-240-WG	Wire guard for 240W

MOUNTING KITS

Accessory Model	Description
RHB-PDM-HK	Pendant Mount Hook 1/2" Pipe
RHB-100/150-SM	100/150w Surface Mount
RHB-240-SM	240w Surface Mount

EMERGENCY BACKUP

Accessory Model	Description
LED-EMB-30W-HV-UFO-BL	Emergency Back Up For Internal Drivers- High Voltage 170V Output - Includes Round UFO HighBay EM Kit (Black)
LED-EMB-30W-HV-UFO-WH	Emergency Back Up For Internal Drivers- High Voltage 170V Output - Includes Round UFO HighBay EM Kit (White)
UFO-TEST-CTR	Test Button Controller

REMOTE CONTROL

Accessory Model	Description
HB03R	Remote for HB-Line Series

SENSOR

Accessory Model	Description
HB01DMS-A	A Default Setting • Brightness: 100% Hold Time: 1Min. • Stand-By Dimming Level: 20% • Stand-By Time: 1 Min. Sensitivity: 100% • Daylight: Disable