



XS-Line: Mini Floods

3-CCT w/ Selectable Photocell



15W



30W



Detail Specifications

- Finish: Bronze or White
- IP Rating: Wet Location (IP65)
- Beam Angle: 120°
- CCT: 30/40/50K Selectable
- Chip: SMD 2835, R9 >50, CRI >80
- Operating Temperature: -40° - 122° F
- Lens: PC Lens: Clear acrylic
- Average life (L70) of 50,000 hours

Applications:

- Dock and Loading
- Walkways & Pathways
- Parking Lots
- Hospitality, Multi-Family
- Outdoor Corridors
- General Outdoor Lighting
- Residential, Commercial and Industrial

Product Information:

- Sturdy die-cast aluminum housing finished with corrosion free powder coat
- Selectable Photocell included on each fixture
- 1.5' STJW 18.3 AWG cable whip included
- Select-n-Switch Technology
- Instant-On to full brightness

Driver Options:

- UNV: 120-277V or 277-480V 0-10V Dimmable
- Built in 6Kv Surge Protector
- THD: <20% (+/-5% tolerance), PF >0.9, 50/60Hz

Mounting & Installation:

- ½" Knuckle mount installed on each fixture
- Yoke mount included in the box

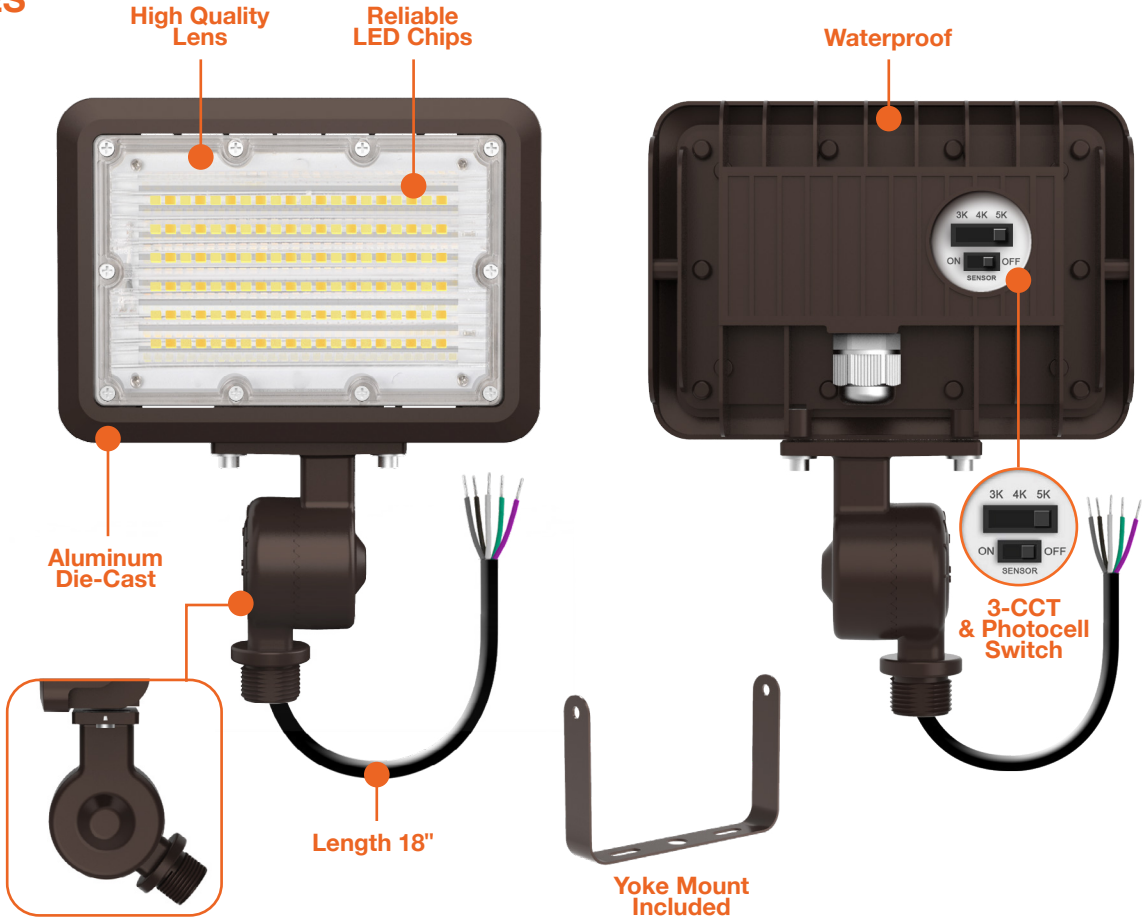
Certifications:

- UL Listed for USA and CA
- DLC Listed
- ROHS Compliant
- Approved for CA T24
- 5 Year Limited Warranty
- FCC CFR 47, GCC Part 15, Subpart B:2017

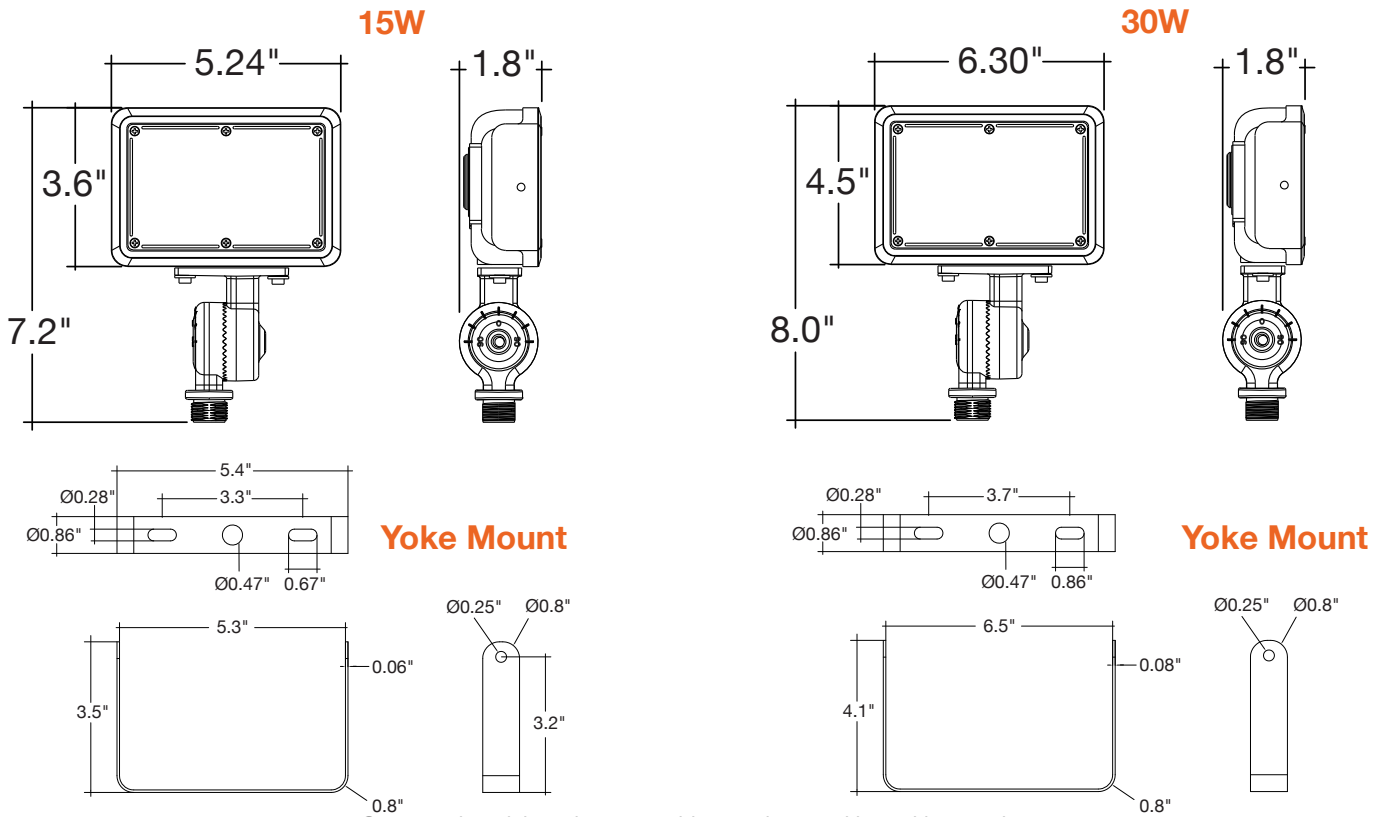
Series	Color	Bracket	Photocell
LED-FL-15W-TRI 15W • 1,950lm	BZ Bronze	- KNYK - ½" Knuckle Installed.	PC Selectable photocell is included.
LED-FL-30W-TRI 30W 3,900lm	WH White (Standard)	Trunnion included.	

Specs and model numbers are subject to change with or without notice.

FEATURES



DIMENSIONS



Specs and model numbers are subject to change with or without notice.