

ARCY-Line: Full Cut Off Wall Packs

3-CCT + 3-Power Selectable

Wall Packs



Downlight Application



Uplight Application

Detail Specifications:

- Finish: Bronze, Custom finishes available
- IP Rating: Wet Location IP66
- Impact Rating: IK08
- 3-CCT Selectable: 30/40/50K
- Beam Angle: Type III standard, IV or V available
- Chip: SMD 2835, R9 >50, CRI >80
- BUG:
 - 3P65: pending
 - 3P100: pending
- Operating Temperature: -40° - 122° F
- Lens: Clear acrylic with optics
- Average life (L70) of 70,000 hours

Applications:

- Walkways & Pathways
- Parking Lots
- Hospitality, Multi-Family
- Outdoor Corridors
- Up or Down lighting
- Residential, Commercial and Industrial

Product Information:

- Sturdy die-cast aluminum housing finished with corrosion free powder coat
- Full Cut-Off Dark Sky Compliant when faced down
- -10° down to 20° up tilt adjustable design
- Fixture can be mounted faced up or down
- Photocell is included with an easy disconnect switch
- Instant-On to full brightness
- Select-n-Switch Technology: 3-CCT + 3-Power Selectable

Driver Options:

- UNV: 120-347V 0-10V Dimmable (Dim to off)
- Built in 6Kv Surge Protector
- THD: <20% (+/-5% tolerance), PF >0.9, 50/60Hz

Mounting & Installation:

- Mounts to junction box

Certifications:

- ETL Listed for USA and CA
- DLC Premium Listed
- ROHS Compliant
- Approved for CA T24
- 5 Year Limited Warranty
- FCC CFR 47, GCC Part 15, Subpart B:2017

WATT	LUMENS
30	3,900
50	6,500
60	8,450
80	10,400
100	13,000

Series	Finish ¹	Photocell	Voltage	Optic	Sensor ²	Emergency	Surge Protector	Optional Accessories (Order Separately)	
LED-WPFC-ARC-3P65-TRI 30/50/60W	BZ Bronze	PC Photocell is included. On/Off switch on fixture.	(Blank) 120-347V	(Blank) Type III	(Blank) No Sensor	(Blank) No	(Blank) 10KV	Remote for Sensors	Optic Lens
LED-WPFC-ARC-3P100-TRI 60/80/100W	BL ¹ Black		HV 277-480V	T4 Type IV	BMS Bi-Level Motion + Daylight Sensor	Emergency	Built-In		
	WH ¹ White			T5 Type V	(S-BMS-EXT-1)	Emergency	20KV		WPFC-ARC-S-T-V Type V Optic 3P65 Model
	GRY ¹ Gray				BMSBT Bi-Level Motion + Daylight Sensor	Backup	Surge Protector		WPFC-ARC-M-T-IV Type IV Optic 3P100 Model
	CS ¹ Custom Color				(S-BMS-EXT-1-BT)				WPFC-ARC-M-T-V Type V Optic 3P90 Model

1. Standard quickship is bronze. Other colors are custom finishes

2. Sensors require remote for programming

Specs and model numbers are subject to change with or without notice

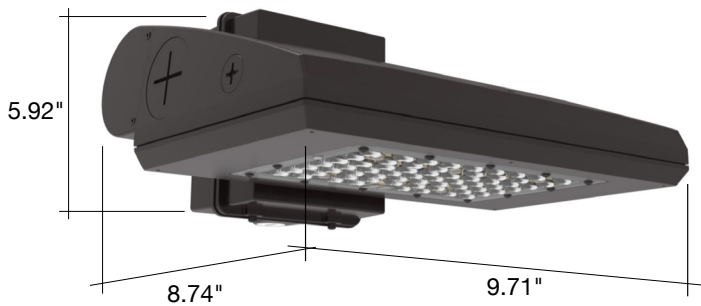
ARCY-Line: Full Cut Off Wall Packs

3-CCT + 3-Power Selectable

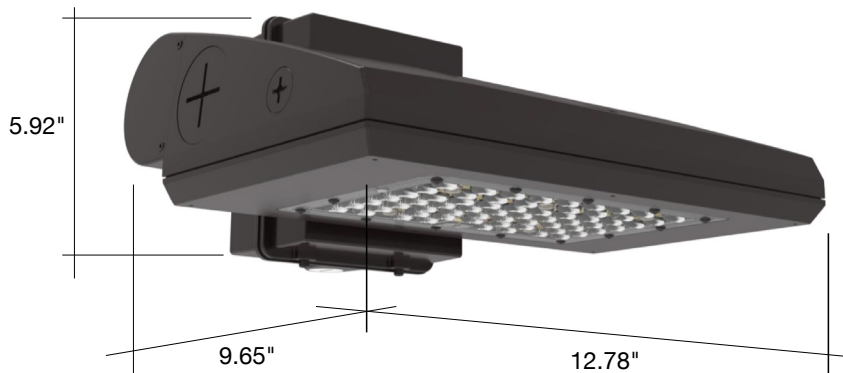


DIMENSIONS

3P65



3P100



Specs and model numbers are subject to change with or without notice

Flat-FC-Line: Full Cut Off Wall Packs

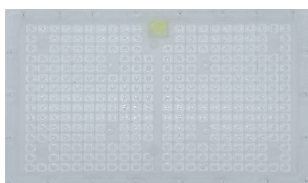
3-CCT + 3-Power Selectable



S-BMS-EXT-1
S-BMS-EXT-1-BT



S-LINE-R



TV
TIV

Model	Voltage	Watts	Lumens	Color	CRI
LED-WPFC-ARC-3P65-TRI-BZ	120-347V	30/50/60w	145 lm/w	30/40/50k	>80
LED-WPFC-ARC-3P100-TRI-BZ	120-347V	60/80/100w	145 lm/w	30/40/50k	>80

HB-LINE-SENSORS

Model	Item Description	Voltage	Watts
S-BMS-EXT-1	S-Line: Bi Level Motion Sensor w/ Daylight Harvesting, Ideal for use with LED WALLPACKS. 12V Aux REQD. (Remote Required)	12V	<1w
S-BMS-EXT-1-BT	S-Line: Bi Level Motion Sensor w/ Daylight Harvesting, Ideal for use with Wallpacks. 12V Aux REQD. (Remote Required)	12V	<1w

REMOTE CONTROL

Accessory Model	Description
S-LINE-R	Remote for S-LINE Series Sensors

OPTIC LENS

Accessory Model	Description
WPFC-ARC-S-T-IV	Type IV Optic 3P65 Model
WPFC-ARC-S-T-V	Type V Optic 3P65 Model
WPFC-ARC-M-T-IV	Type IV Optic 3P100 Model
WPFC-ARC-M-T-V	Type V Optic 3P90 Model

TESTED COMPATIBLE DIMMERS

Other dimmers may be compatible but have not been tested. Please contact us for more information.

0-10V Dimmers

Lithonia	Cooper	Lutron	Leviton
ISC BC 120/277 WH	SF10P-W	DVSTV-WH	IP710-DLZ

Specs and model numbers are subject to change with or without notice