

3" & 4" LED Frosted J-Box Canless Downlight
5-CCT Selectable



Detail Specifications:

- Finish: White, Black
- Shape: Round or Square
- IP54 Wet Location Rated
- Beam Angle: 110° standard
- Chip: COB Chip, R9 >50, CRI >90
- 3 Step MacAdam Ellipses
- Operating Temperature: -40° - 114° F
- Lens: Frosted, non-yellowing
- Average life (L70) of 50,000 hours

Applications:

- General Recessed Lighting
- Residential & Multifamily
- Office and Meeting Rooms
- Education, Healthcare, Retail, Hospitality

Product Information:

- 5-CCT Selectable: 27/30/35/40/50K
- Standard white round trim included: optional trims available
- Metal housing and trim for better heat dissipation
- Optional emergency backup available: delivers full lumens in EM mode up to 25W
- SnapTrim Canless: Spring clips with remote j-box eliminates can

Driver Options:

- 120V Triac Dimmable
- Built in 2.5Kv Surge Protector
- Flicker Free

Mounting & Installation:

- Cut Out Dimension:
 - 3": 3-1/4"
 - 4": 4-1/4"
- Optional new construction plate available
- This fixture does not fit into a recessed can
- No housing needed in remodel applications, tension clips mount into 1/2" to 1.5" thick ceiling
- Can be removed from below the ceiling for service or replacement
- Pre-wired junction box with circuit wiring built in (3 in / 3 out)

Certifications:

- ETL Listed for USA and CA
- Energy Star Certified
- CA Title 24 JA8-2022 CEC Listed
- 5 Year Limited Warranty
- FCC CFR 47, GCC Part 15, Subpart B:2017
- IC Rated and ASTM-E283 Air-Tight
- Complies with UL 263, ASTM E119, CAN ULC S101

Series	Emergency
LED-MDJBX-3-10W-5CCT-WH-R	(Blank)
800LM White Round	No
LED-MDJBX-4-15W-5CCT-WH-R	Emergency Backup
1300LM White Round	EMB
	Emergency Backup

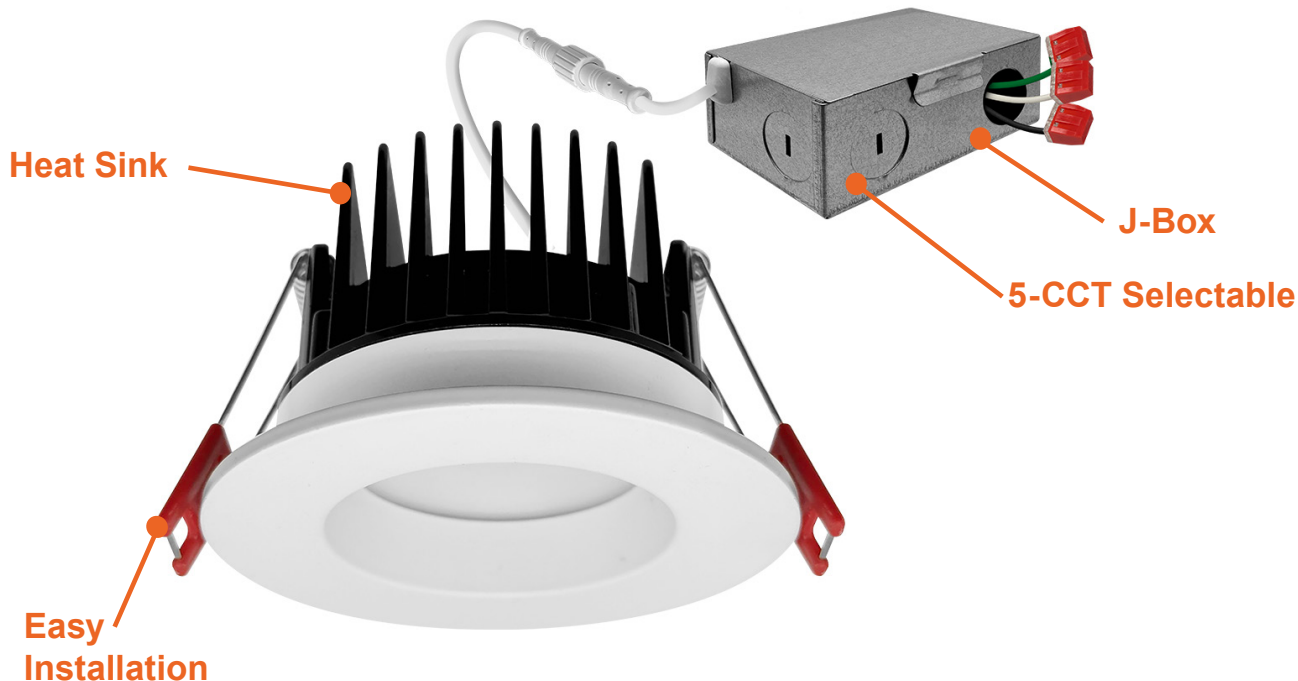
Optional Accessories (Order Separately)

3" Trim Options	4" Trim Options	New Construction Plates	Extension Cables	Emergency Backup 1 (field install)
MDJBX-3-TRIM -WH-SQ White Square	MDJBX-4-TRIM -WH-SQ White Square	CUNV-NC-ICAT-7H 1,2,3,3.5,4,5,6" w/ hanging bars	JBX-EXT-6'-2PIN 6' Extension	LED-EMB-25W-HV -0/10V-2P Up to 24W fixtures
MDJBX-3-TRIM -BLK-R Black Round	MDJBX-4-TRIM -BLK-R Black Round	CUNV-JBX-RI-XL 2,3,3.5,4,5,6" Rough in plate. Extra long	JBX-EXT-10'-2PIN 10' Extension	
MDJBX-3-TRIM -BLK-SQ Black Square	MDJBX-4-TRIM -BLK-SQ Black Square		JBX-EXT-12'-2PIN 12' Extension	

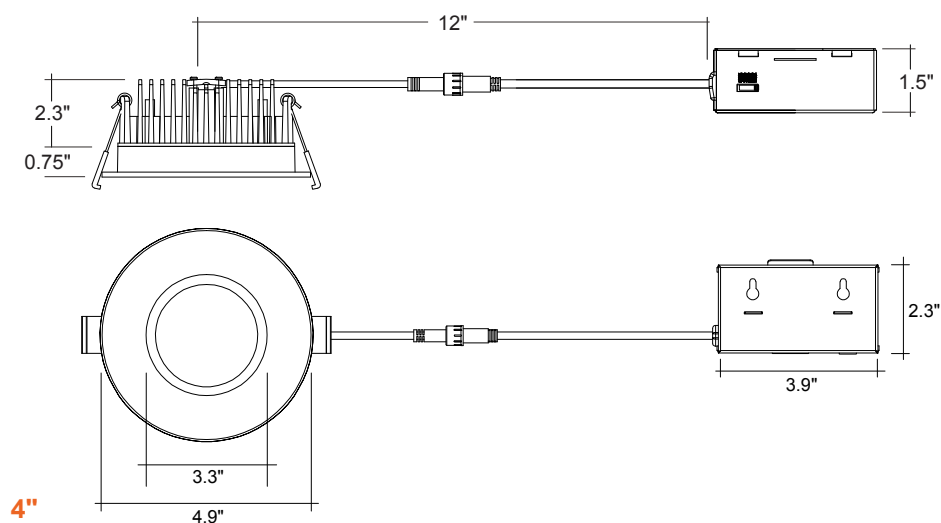
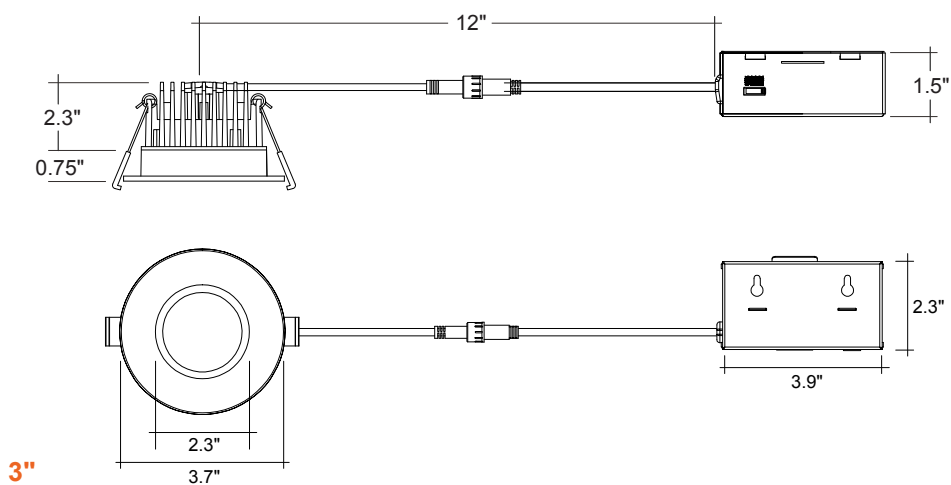
1. Field installable. Lasts 90 minutes

Specs and model numbers are subject to change with or without notice.

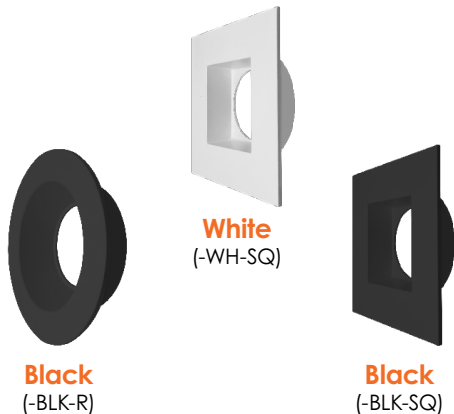
FEATURES



DIMENSIONS



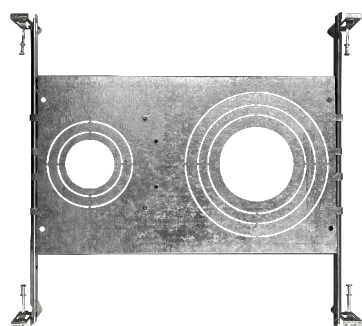
ACCESSORIES



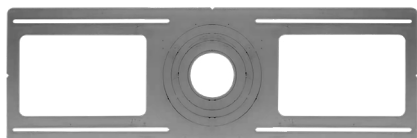
Black
(-BLK-R)

White
(-WH-SQ)

Black
(-BLK-SQ)



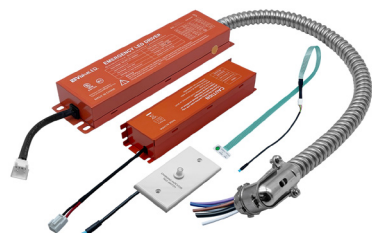
CUNV-NC-ICAT-7H
Universal Pre-Mounting Plate
13 7/8" x 15 1/8"



CUNV-JBX-RI-XL
7" x 26"



JBX-EXT
6' / 10' / 12' Extension Cable



LED-EMB-25W-HV-0/10V-2P

Model	Voltage	Watts	Lumens	Color	CRI
LED-MDJBX-3-10W-5CCT-WH-R	120V	10w	800	27/30/35/40/50K	>90
LED-MDJBX-4-15W-5CCT-WH-R	120V	15w	1300	27/30/35/40/50K	>90

TRIMS

Accessory	Description
MDJBX-3-TRIM-BLK-R	3" Regressed Gimbal Black Round Trim
MDJBX-3-TRIM-BLK-SQ	3" Regressed Gimbal Black Square Trim
MDJBX-3-TRIM-WH-SQ	3" Regressed Gimbal White Square Trim
MDJBX-4-TRIM-BLK-R	4" Regressed Gimbal Black Round Trim
MDJBX-4-TRIM-BLK-SQ	4" Regressed Gimbal Black Square Trim
MDJBX-4-TRIM-WH-SQ	4" Regressed Gimbal White Square Trim

CONSTRUCTION PLATES

Accessory	Description
CUNV-NC-ICAT-7H	1" 2"3" 3.5" 4" 5" 6" Universal Pre-Mounting New Construction Plate
CUNV-JBX-RI-XL	Universal tough in plate (Extra Long)

EXTENSION CABLE

Accessory	Description
JBX-EXT-6'-2PIN	6" Extension Cable
JBX-EXT-10'-2PIN	10" Extension Cable
JBX-EXT-12'-2PIN	12" Extension Cable

EMERGENCY BACKUP

Accessory	Description
LED-EMB-25W-HV-0/10V-2P	Up to 24W fixtures

TESTED COMPATIBLE DIMMERS

Other dimmers may be compatible but have not been tested. Please contact us for more information.

TRIAC/ELV Dimmers

Lutron	Leviton	Legrand	Cooper
AYCL-153P	6633	ADTP703TU	9540
DV-600PR	6674	H703PTW	DAL06P
DVCL-153P	6602		
MACL-153MH	IPL06		
MRF2-6CL			
D-600P			
NTELV-300P			
S-600P			
CT-600P			
CTCL-153P			
TG-600P			
TCCL-153P			
L-153P			