



MAGNA-Line: Sports Light Fixtures

3-Power Selectable & Remote Capable



600W



1200W

WATT	LUMENS
300	39,000
450	58,500
600	78,000
800	124,000
1000	130,000
1200	156,000



Remote Mountable
Driver up to 70ft.

Detail Specifications

- Finish: Black (made to order colors available)
- IP Rating: Wet Location
- Beam Angle: 20° NEMA 3 standard (Wider custom optics available)
- CCT: 5000K
- Chip: SMD 3030, R9 >50, CRI >80
- Operating Temperature: -40° - 114° F
- Lens: PC Lens: Clear acrylic with optics
- EPA:
 - 3P600: 3.0FT²
 - 3P1200: 3.4FT²
- Average life (L70) of 70,000 hours

Applications:

- Sports Arenas and Recreational Fields
- Yard, Barn, Agriculture lighting
- High mast
- Outdoor Lighting

Product Information:

- Sturdy die-cast aluminum housing finished with corrosion free powder coat
- 5 beam angle options available
- Shield is included with every fixture
- Select-n-Switch Technology : 3-Power Selectable
- Instant-On to full brightness
- 3' power cord standard on all fixtures

Driver Options:

- UNV: 120-277V 0-10V Dimmable
- HV: 220-480V 0-10V Dimmable
- Built in 10Kv Surge Protector
- DMX512 dimming standard for theatrical effects
- Compatible with Synapse Wireless & AVI-ON controls
- THD: <20% (+/-5% tolerance), PF >0.9, 50/60Hz

Mounting & Installation:

- Standard yoke mount included
- Optional slip fitter available
- Head tilts up and down 90°
- Remote capable driver up to 70 feet away from the fixture
- See installation guide for more details

Certifications:

- UL Listed for USA and CA
- DLC Premium Listed
- ROHS Compliant
- IESNA LM-79 & LM-80 tests available
- Approved for CA T24
- ANSI 3G Vibration Rated
- FCC CFR 47, GCC Part 15, Subpart B:2017
- 5 Year Limited Warranty

Series	Voltage ¹	Finish ²	Optic	Photocell
LED-SPL-3P600W-50K-YK 300/450/600W • 120-277V Yoke Mount	UNV 120-277V	BLK (Standard)	(Blank) 20°	(Blank) No Photocell
LED-SPL-3P1200W-50K-YK 800/1,000/1,200W • 120-277V Yoke Mount	HV 220-480V	CS² Custom Color	30D NEMA 3 30° 60D 60°	PC Dusk to Dawn Photocell

1. Standard quick ship is UNV. HV is made to order locally.

2. Standard quick ship is black. Other colors are custom finishes available at the factory level.

Optional Accessories (Order Separately)

Mounts	Laser Aiming Device	Extension Cable
SPL-SF Field Installable Slip Fitter	SPL-LSR Laser Aiming Device	SPL-EC-35FT Extension for remote mount driver. Put up to two together.

Specs and model numbers are subject to change with or without notice. Customization of product is available.

FEATURES



Shield Included (Separately)



SPL-LSR
Laser beam pointer available

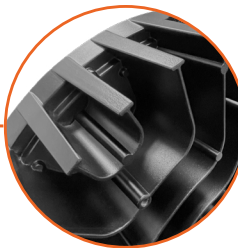
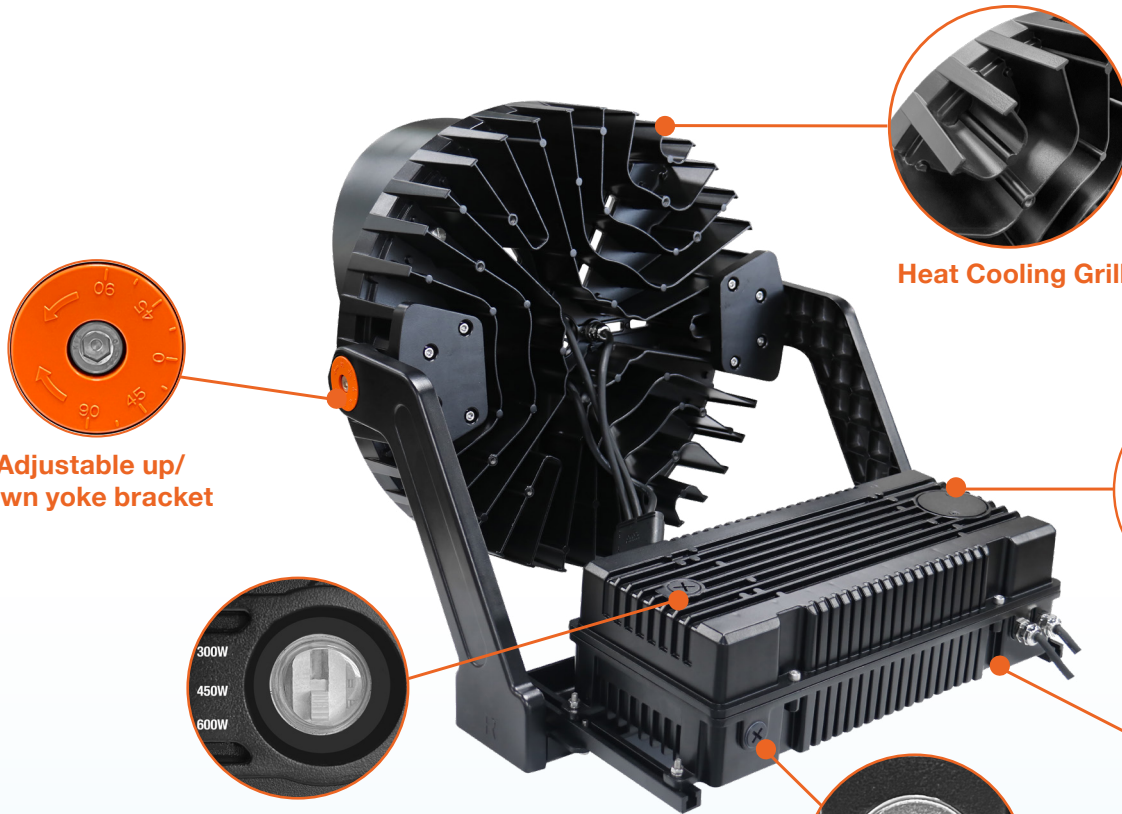
Optics on each chip for the perfect beam angle



Remote Mountable Driver up to 70ft.



Front



Heat Cooling Grill

Adjustable up/down yoke bracket



Photocell Slot



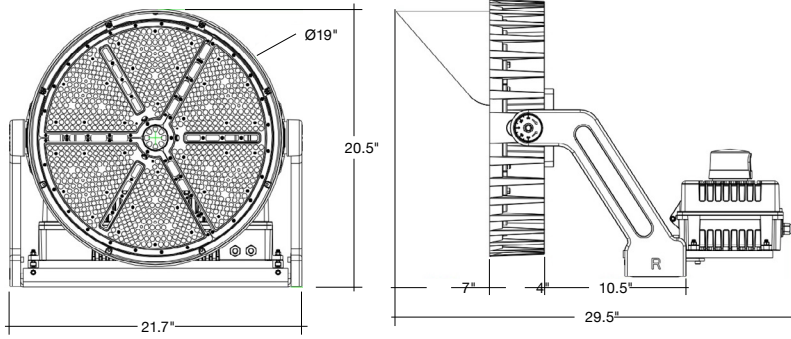
Selectable Wattage

Remote capable driver, driver can mount up to 40 feet away from the fixture

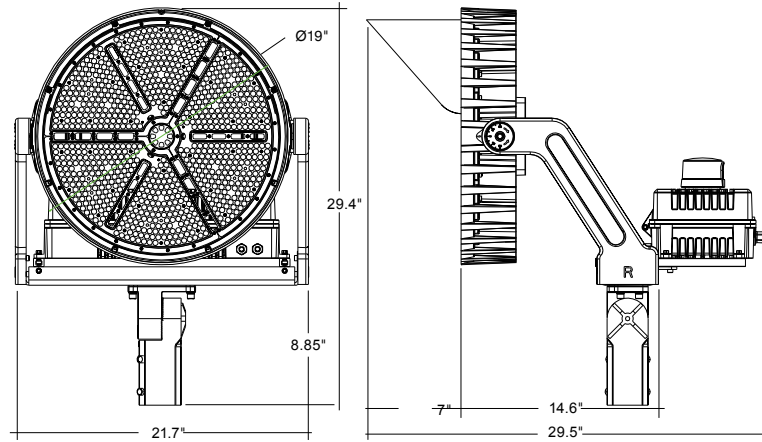


Waterproof Knockouts

DIMENSIONS
600W

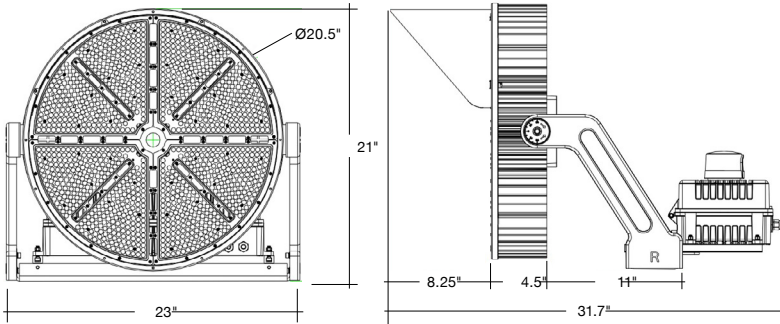


Yoke Mount

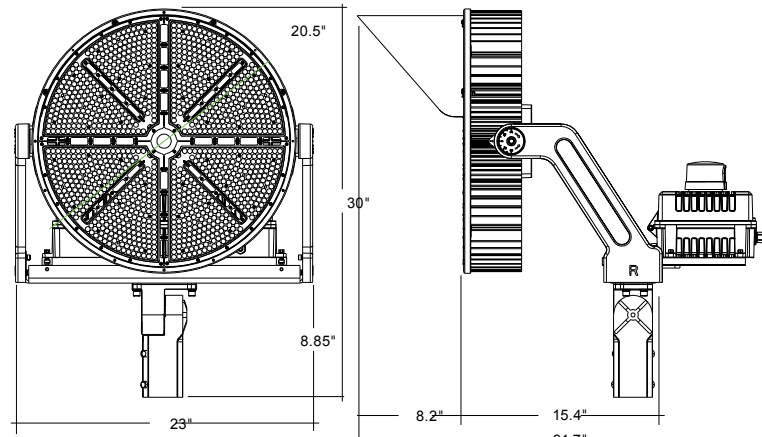


Slip Fitter

1200W

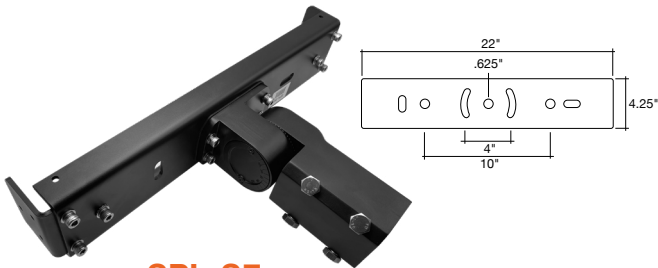


Yoke Mount



Slip Fitter

Slip Fitter



SPL-SF



SPL-LSR



SPL-EC-35FT

HIGHBAY FIXTURE

Model	Voltage	Watts	Lumens	Color	CRI
LED-SPL-3P600W-50K-YK-UNV-BLK	120-277V	300/450/600w	130lm/w	5000k	>80
LED-SPL-3P1200W-50K-YK-UNV-BLK	120-277V	800/1000/1200w	130lm/w	5000k	>80

ACCESSORIES

Model	Description
SPL-SF	Field Installable Slip Fitter
SPL-LSR	Laser Aiming Device
SPL-EC-35FT	Extension Cable

EPA RATING & GROSS WEIGHT

Model	Weight	EPA Rating	Bug
LED-SPL-3P600W	47 LBS.	3.0FT ²	B5-UO-G5
LED-SPL-3P1200W	78 LBS.	3.4FT ²	B5-UO-G5