

# ARCY-Line: Square Sports Light

## 3-Power Selectable



### Detail Specifications

- Finish: Black (made to order colors available)
- IP Rating: Wet Location
- Beam Angle: 35° standard, (25°, 55° available)
- CCT: 5000K
- Chip: SMD 3030, R9 >50, CRI >80
- Operating Temperature: -40° - 114° F
- Lens: PC Lens: Clear acrylic with optics
- EPA:
  - 3P800: 2.7FT^2
- BUG: B4-U0-G5
- Average life (L70) of 70,000 hours

### Applications:

- Sports Arenas and Recreational Fields
- Yard, Barn, Agriculture lighting
- High mast
- Outdoor Lighting

### Product Information:

- Sturdy die-cast aluminum housing finished with corrosion free powder coat
- 3 beam angle options available
- Shield is included with every fixture
- Select-n-Switch Technology : 3-Power Selectable
- Instant-On to full brightness
- 3' power cord standard on all fixtures

### Driver Options:

- UNV: 120-277V 0-10V Dimmable Standard
- HV: 277-480V 0-10V Dimmable Available
- Built in 10Kv Surge Protector
- DMX512 dimming standard for theatrical effects
- Compatible with Synapse Wireless & AVI-ON controls
- THD: <20% (+/-5% tolerance), PF >0.9, 50/60Hz

### Mounting & Installation:

- Standard yoke mount included
- Optional slip fitter available
- Head tilts up and down 90°
- See installation guide for more details

### Certifications:

- UL Listed for USA and CA
- DLC Premium Listed
- ROHS Compliant
- IESNA LM-79 & LM-80 tests available
- Approved for CA T24
- ANSI 3G Vibration Rated
- FCC CFR 47, GCC Part 15, Subpart B:2017
- 5 Year Limited Warranty

WATT	LUMENS
400	60,000
600	90,000
800	120,000

Series	Voltage <sup>1</sup>	Finish <sup>2</sup>	Optic	Photocell
<b>LED-SQSPL-3P800W-50K-YK</b> 400/600/800W Yoke Mount	<b>UNV</b> 120-277V	<b>BLK</b> (Standard)	<b>(Blank)</b> 35°	<b>(Blank)</b> No Photocell
	<b>HV</b> 220-480V	<b>CS</b> <sup>2</sup> Custom Color	<b>20D</b> 20° <b>55D</b> 55°	<b>PC</b> Dusk to Dawn Photocell

1. Standard quick ship is UNV. HV is made to order locally.

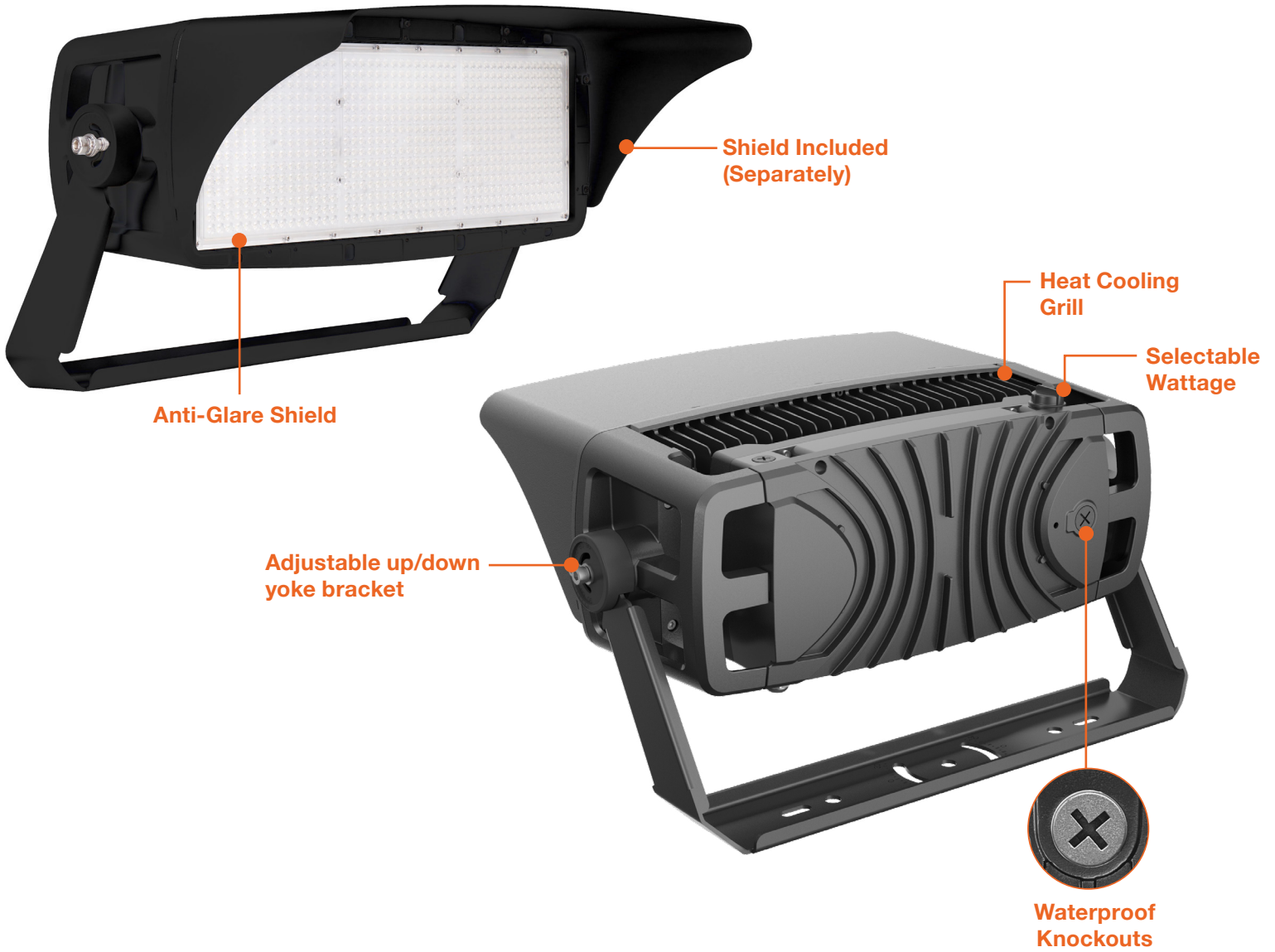
2. Standard quick ship is black. Other colors are custom finishes available at the factory level.

### Optional Accessories (Order Separately)

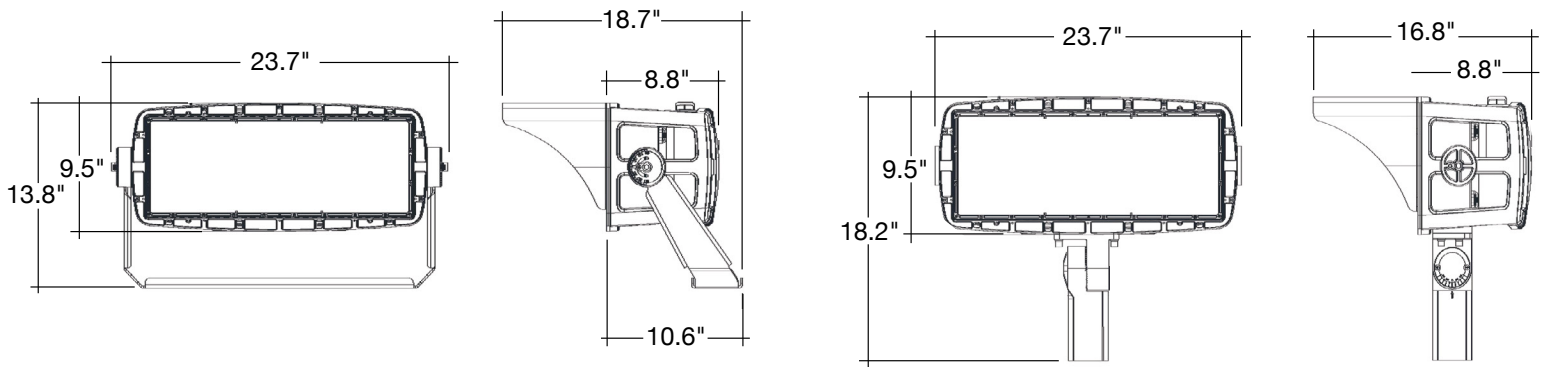
Mounts	Laser Aiming Device	Anti-Glare Shield
<b>SPL-SF</b> Field Installable Slip Fitter	<b>SPL-LSR</b> Laser Aiming Device	<b>SQSPL-AG</b> Anti-glare shield on LED optics

Specs and model numbers are subject to change with or without notice. Customization of product is available.

**FEATURES**



**DIMENSIONS**



Slip Fitter



**SPL-SF**

## SPORTS LIGHT FIXTURE

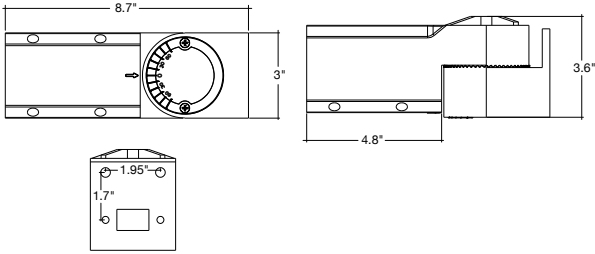
Model	Voltage	Watts	Lumens	Color	CRI
LED-SQSPL-3P800W-50K-YK	120-277V	400/600/800w	130lm/w	5000k	>80

## ACCESSORIES

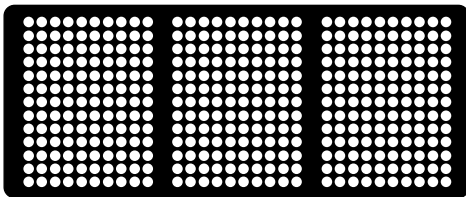
Model	Description
SPL-SF	Field Installable Slip Fitter
SPL-LSR	Laser Aiming Device

## ANTI-GLARE SHIELD

Model	Description
SQSPL-AG	Anti-glare shield on LED optics



**SPL-LSR**



**SQSPL-AG**