

# Slim-Line: Square Canopy Fixtures

## 3-CCT & 3-Power Selectable



WATT	LUMENS
25	3,625
40	5,800
60	8,700

### Detail Specifications:

- Finish: White or Bronze
- IP Rating: Wet Location (IP65)
- Beam Angle: 150°
- Chip: SMD 2835, R9 >50, CRI >80
- 3 Step MacAdam Ellipses
- Operating Temperature: -4° - 124° F
- Lens: Clear Ribbed
- Average life (L70) of 50,000 hours

### Applications:

- Utility & Storage
- Garage & Parking Structures
- Dock and loading
- Soffits
- Outdoor corridor
- Commercial and Industrial

### Product Information:

- Sturdy di-cast aluminum housing finished with corrosion free powder coat
- Four 1/2" knockouts: 1 one each side for convenient installation
- Select-N-Switch Technology

### Driver Options:

- UNV: 120-277V 0-10V Dimmable
- THD: <15% (=/-5% tolerance), PF >0.9, 50/60Hz
- Isolated Driver
- Flicker Free

### Mounting & Installations:

- 30 or 40 J-Box Surface Mount
- 3/4 "Pendant Mount

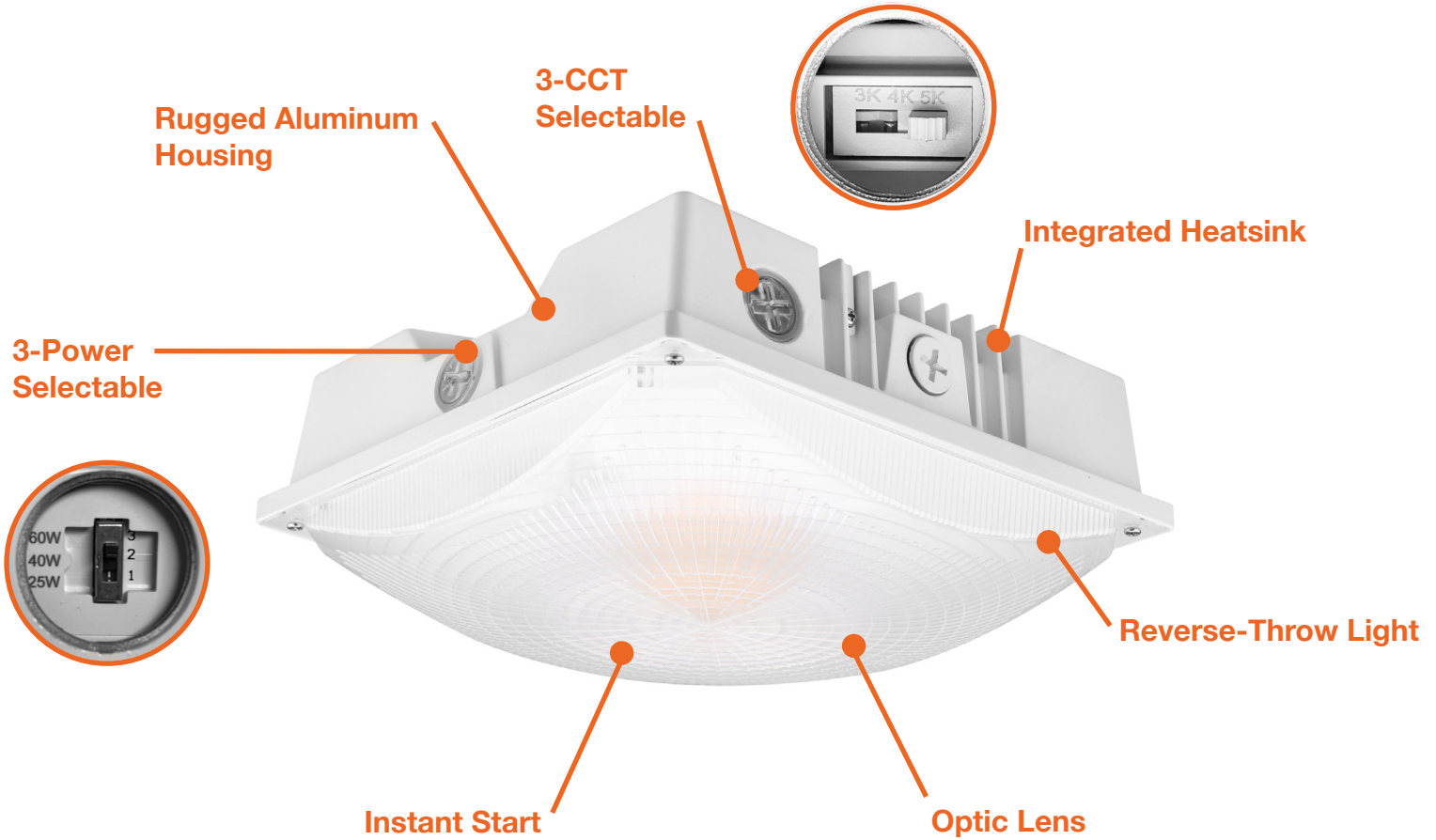
### Certifications:

- UL Listed for USA and CA
- DLC Listed
- Approved for CA T24
- 5 Year Limited Warranty
- FCC CFR 47, GCC Part 15, Subpart B:2017

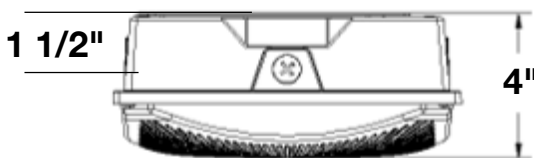
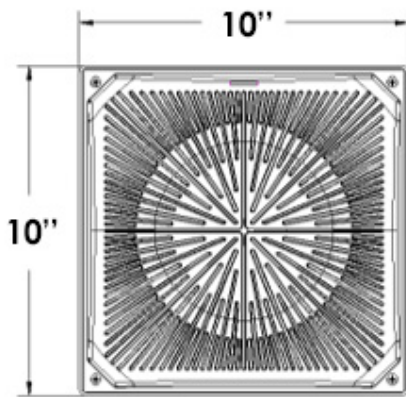
Series	Wattage	CCT	Finish	Sensor	Emergency	Optional Accessories (Order Separately)
<b>LED-SCP</b>	<b>3P60</b>	<b>TRI</b>	<b>BZ</b>	<b>(Blank)</b>	<b>(Blank)</b>	<b>Sensor Remote</b>
Square Canopy Fixtures	25/40/60W	30/40/50K	Bronze <b>WH</b> White	None <b>BMS</b> Bi-Level Motion + Daylight Sensor (HD407VC-R)	None <b>EMB</b> Emergency Backup	<b>HD03R</b> Remote for HD407V-CR <b>HD05R</b> Remote for HD407V-CR w/ Screen

Specs and model numbers are subject to change with or without notice

**FEATURES**



**DIMENSIONS**



Model	Voltage	Watts	Lumens	Color	CRI
LED-SCP-3P60-TRI-WH	120-277V	25/40/60w	145lm/w	30/40/50k	>80
LED-SCP-3P60-TRI-BZ	120-277V	25/40/60w	145lm/w	30/40/50k	>80

**H-LINE SENSORS**

Model	Item Description	Voltage	Watts
HD407V-CR	Bi Level Motion Sensor w/ Daylight Harvesting Detachable Version w/ external sensor-Remote Control Compatible	120-277V	<1w
HD03R	Remote for HD Sensors	120-277V	<1w
HD05R	Remote for HD Sensors w/ Screen	120-277V	<1w



HD407V-CR

HD03R

HD05R