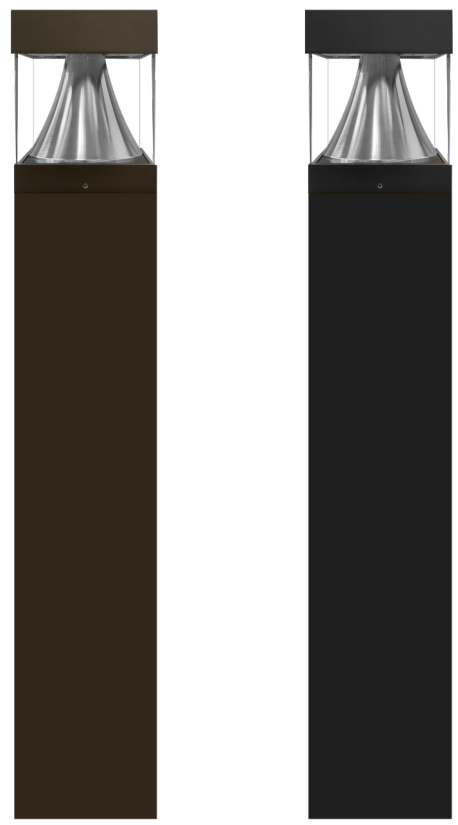


# LED Bollard Fixtures (Square)



**Detail Specifications:**

- Finish: Bronze, Black, Custom finishes available
- IP Rating: Wet Location
- Beam Angle:
  - Cone: Type V 360°
- Chip: SMD 2835, R9 >50, CRI >80
- Operating Temperature: -4° - 122° F
- Lens: Clear Acrylic
- Average life (L70) of 50,000 hours

**Applications:**

- Walkways & Pathways
- Driveways
- Landscape Lighting
- Hospitality, Multi-Family
- Outdoor Corridors
- Residential, Commercial and Industrial

**Product Information:**

- Aluminum housing finished with corrosion free power coat
- Flat Top & Cone Shape Reflector
- Instant-On to full brightness
- Select-n-Switch Technology: 5-CCT + 3-Power Selectable

**Driver Options:**

- UNV: 120-277V 0-10V Dimmable
- HV: 347-480V 0-10V Dimmable
- THD: <15% (+/-5% tolerance), PF >0.9, 50/60Hz

**Mounting & Installations:**

- Mounting hardware included:
  - Anchor Bolt
  - Washer & Nuts

**Certifications:**

- UL Listed for USA and CA
- DLC Listed
- Approved for CA T24
- 5 Year Limited Warranty
- FCC CFR 47, GCC Part 15, Subpart B:2017

WATT	LUMENS	BUG RATING	
12	1,560	<b>LOUVER</b>	B2-U3-G2
16	2,080	<b>CONE</b>	B1-U3-G2
22	2,860		

**LED-BLD-3P22-SQ-5CCT -** Square Bollard 12/16/22w

<b>Voltage</b> <sup>1</sup>	<b>Inside Design</b>	<b>Top Shape</b>	<b>Finish</b>	<b>Height</b>	<b>Shield</b> <sup>2</sup>	<b>Sensor</b>	<b>EMB</b>
UNV 120-277V HV 347-480V	- CN - Cone	- FL - Flat	BZ Bronze BL Black CS Custom Color	- 44 - 44"	(Blank) No Shield SHLD Covers half the lens	(Blank) None BMS Bi-Level Motion Sensor + Daylight Sensor PC Photocell	(Blank) No Emergency Backup EMB 90 Minute Emergency Backup

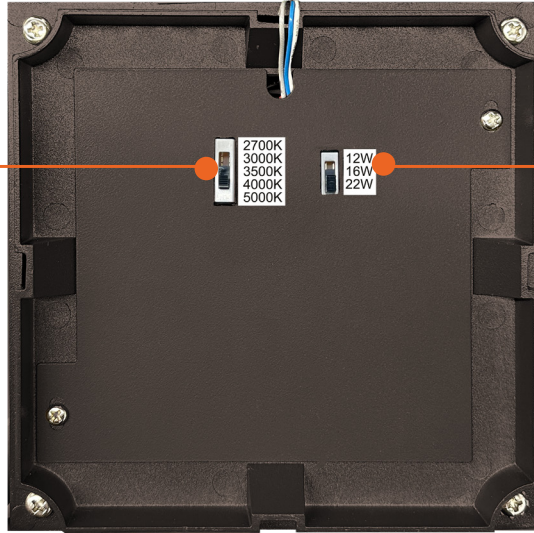
1. Standard voltage is UNV. HV is made to order.

2. Shield options is made to order.

*Specs and model numbers are subject to change with or without notice. Customization of product is available.*

## FEATURES

CCT Selectable-5

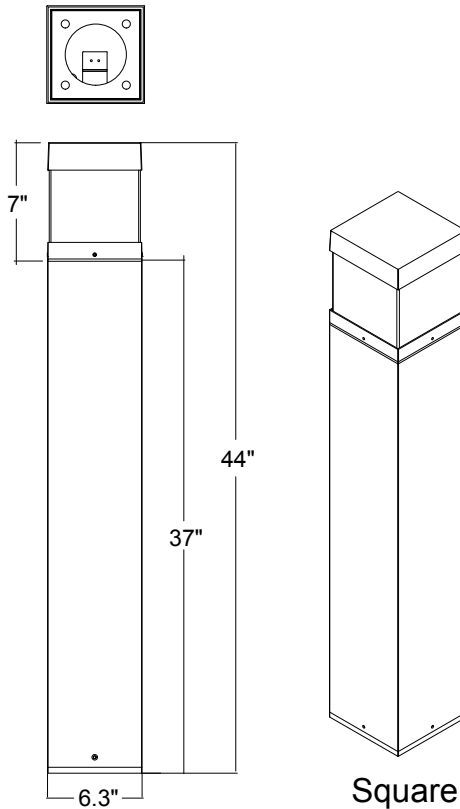


3 Watt Selectable



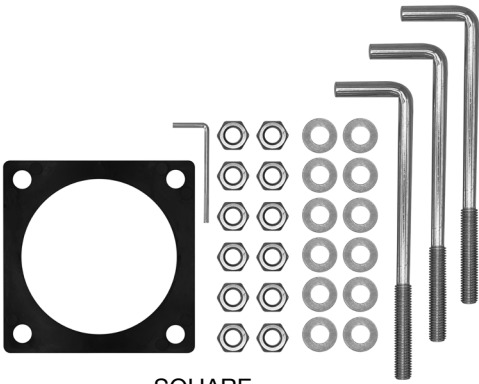
**CONE LENS LED**

## DIMENSIONS

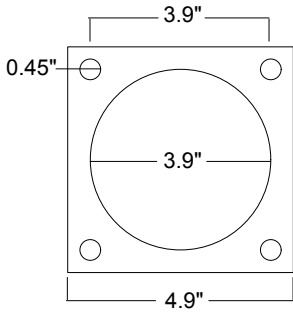


# LED Bollard Fixtures (Square)

## ACCESSORIES



SQUARE  
**Anchor Bolt Included**



## Square Bollard Fixture

Model	Voltage	Watts	Lumens	CRI
LED-BLD-3P22-SQ-5CCT-UNV-CN-FL-BZ-44	120-277V	12/16/22w	1560/2080/2860	>80
LED-BLD-3P22-SQ-5CCT-UNV-CN-FL-BL-44	120-277V	12/16/22w	1560/2080/2860	>80

## H-Line Sensors

Model	Item Description	Voltage	Watts
HD407V-CR	Bi Level Motion Sensor w/ Daylight Harvesting Detachable Version w/ external sensor -Remote Control	120-277V	<1w

## Backup Battery

Model	Input	Watt	Output
LED-EMB-8W-LV-INT	120/277V	8W	25-48V DC



**HD-407V-CR**  
Sensor



**LED-EMB-8W-LV-INT**  
Emergency Back Up