

Full-Line: Traditional Wall Pack

3-CCT + 5-Power Selectable

Wall Packs



WATT	LUMENS
20	2,300
40	5,600
60	8,400
80	11,200
100	14,000

Detail Specifications:

- Finish: Bronze, Custom finishes available
- IP Rating: Wet Location
- Impact Rating: IK08
- Beam Angle: Type IV
- BUG: B3-U5-G5
- Chip: SMD 2835, R9 >50, CRI >80
- Operating Temperature: -40° - 122° F
- Lens: Glass Lens
- Average life (L70) of 70,000 hours

Applications:

- Walkways & Pathways
- Parking Lots
- Hospitality, Multi-Family
- Outdoor Corridors
- Residential, Commercial and Industrial

Product Information:

- Sturdy die-cast aluminum housing finished with corrosion free powder coat
- Traditional metal-halide wall pack size
- Photocell is included with an easy quick disconnect
- Instant-On to full brightness

Driver Options:

- UNV: 120-277V 0-10V Dimmable
- HV: 277-480V 0-10V Dimmable
- Built in 6Kv Surge Protector
- THD: <20% (+/-5% tolerance), PF >0.9, 50/60Hz

Mounting & Installation:

- Five 1/2" knockouts: 1 one each side for convenient installation

Certifications:

- UL Listed for USA and CA
- DLC Listed
- ROHS Compliant
- Approved for CA T24
- 5 Year Limited Warranty
- FCC CFR 47, GCC Part 15, Subpart B:2017

Series	Wattage	Color Temp	Finish	Photocell	Voltage	Sensor ²	Emergency	Surge Protector
LED-WPF - 5P100 - TRI -				- PC -				
Wall Pack:	20/40/60	30/40	BZ	Photocell is included.	(Blank)	(Blank)	(Blank)	(Blank)
Full Line	80/100W	50K	Bronze (Standard)	Easy quick disconnect.	120-277V	No Sensor	No Emergency	6KV Built In
			BL¹	(PC-3/4-3PIN-LV)	HV	BMS	EMB	20KV
			Black		277-480V	Bi-Level Motion + Daylight Sensor	Emergency Backup	20KV Surge Protector
			WH¹			(HB01DMS-C)		
			White			BMS1		
			GRY¹			Bi-Level Motion + Daylight Sensor (S-BMS-EXT-1)		
			Gray			BMS1BT		
			CS¹			Bi-Level Motion + Daylight Sensor -Bluetooth Control (S-BMS-EXT-1-BT)		
			Custom Color					

1. Standard quickship is bronze. Other colors are custom finishes

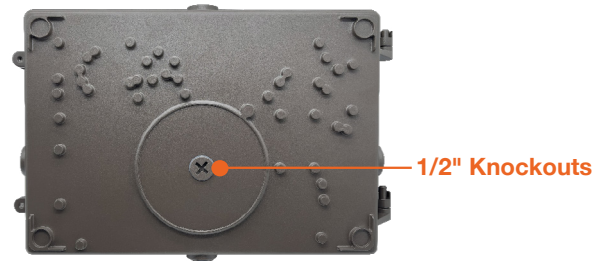
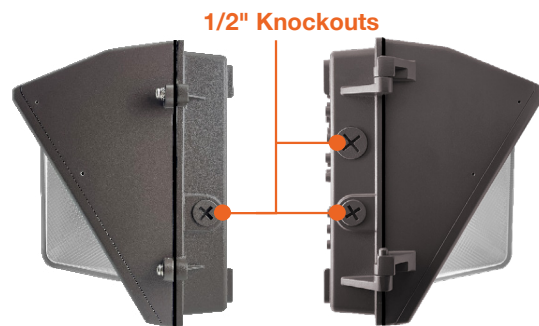
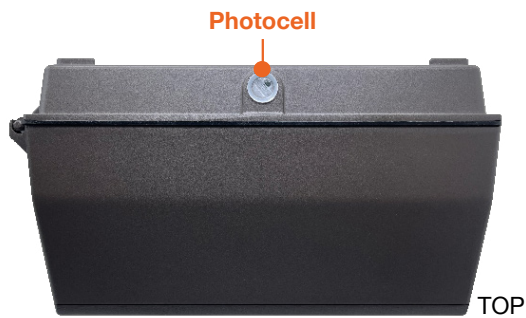
2. Sensors require remote for programming

Optional Accessories (Order Separately)

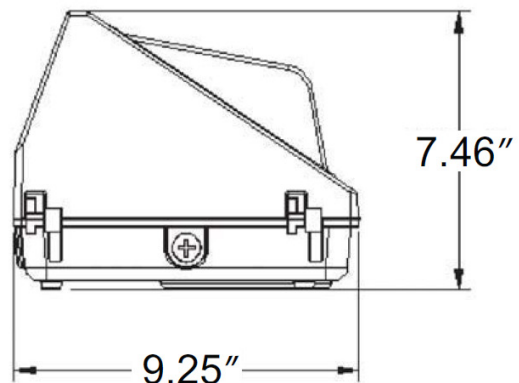
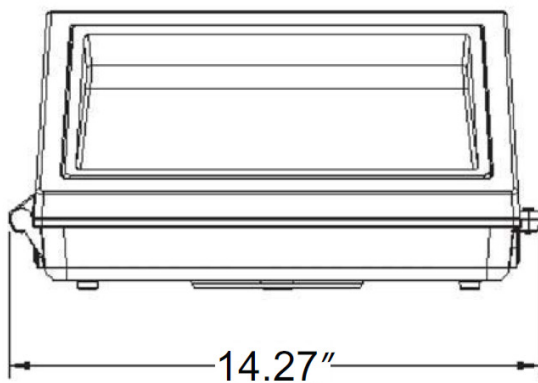
Remote for Sensors	Wire Guard	Shield
HB03R	WPF-WG	WPF-SHIELD
HB01DMS Remote	Wire Guard	Shield
S-LINE-R		
S-Line Remote		

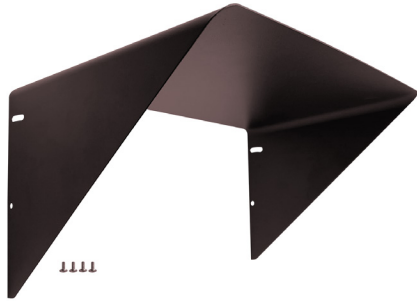
Specs and model numbers are subject to change with or without notice.

FEATURES

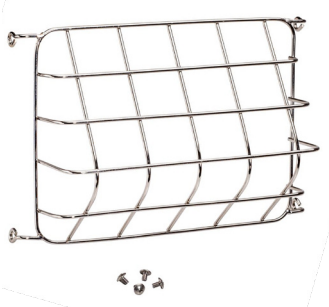


DIMENSIONS





WPF-SHIELD



WPF-WG



HB03R



S-LINE-R

WALL PACK

Model	Voltage	Watts	Lumens	Color	CRI
LED-WPF-5P100-TRI-BZ-PC	120/277V	100/80/60/40/20w	145 lm/w	30/40/50k	>80

ACCESSORIES

Accessory Model	Description
WPF-SHIELD	Cut Off Shield for WPF Wall Packs
WPF-WG	Wire Guard for WPF Wall Packs

REMOTE CONTROL

Accessory Model	Description
HB03R	Remote for HB-Line Series
S-LINE-R	Remote for S-LINE Series Sensors