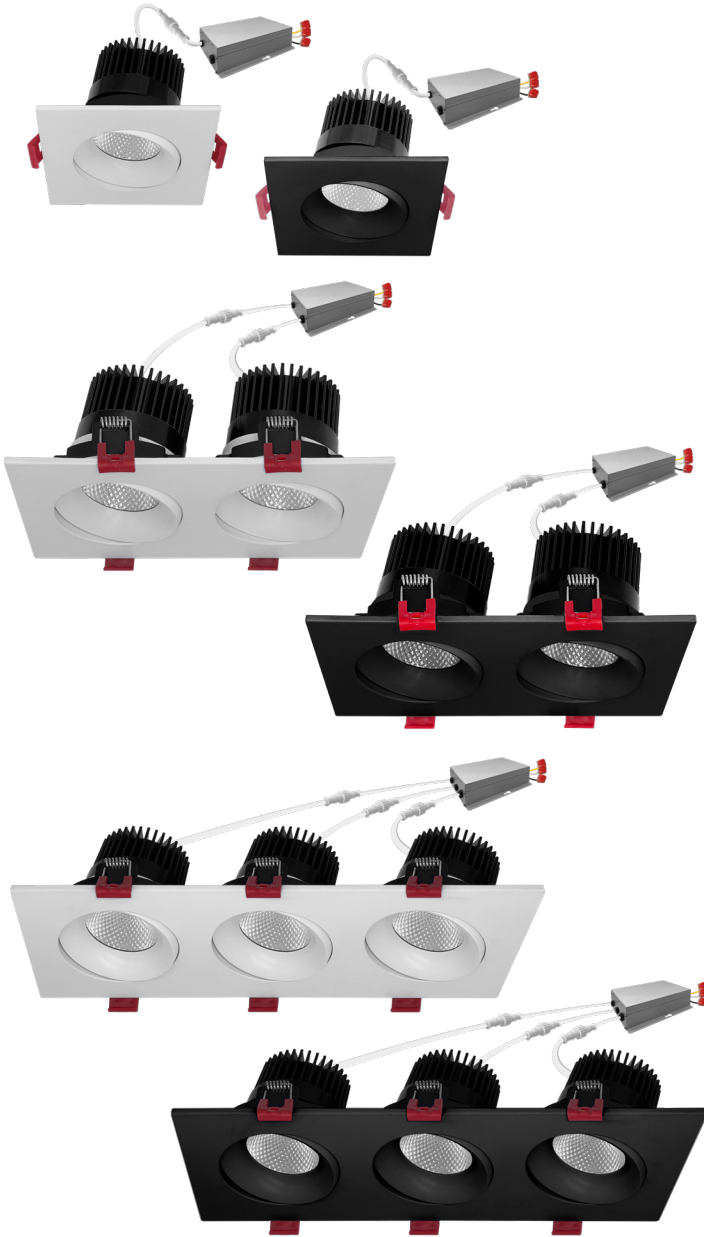


# 4" Multiple Head Downlights

## 5-CCT Selectable

Canless Downlights



### Detail Specification:

- Finish: White & Black
- Wet Location Rated
- Beam Angle: 38°
- Chip: COB, R9 >50, CRI >90
- 2 Step MacAdam Ellipses
- Operating Temperature: -40° - 114° F
- Lens: Clear, non-yellowing
- Average life (L70) of 50,000 hours

### Applications

- General Recessed Lighting
- Residential & Multifamily
- Office and Meeting Rooms
- Education, Healthcare, Retail, Hospitality

### Product Information:

- 5-CCT: 27/30/35/40/50K COB LED Chip
- Metal housing and trim for better heat dissipation
- 360° Rotation and 35° Tilt gimbal light source
- Standard white round trim included: optional trims available
- Optional emergency backup available: delivers full lumens in EM mode up to 25W
- SnapTrim Canless: Spring clips with remote j-box eliminates can

### Driver Options:

- 120V Triac Dimmable (Standard)
- 0/10V: 120-277V 0-10V Dimmable Custom Order
- Built in 2.5Kv Surge Protector
- Flicker Free

### Mounting & Installation:

- Cut Out Dimensions
  - Single Head: 3-3/4"
  - Double Head: 7-1/4" x 3-3/4"
  - Triple Head: 10-4/5" x 3-3/4"
- Optional new construction plate available
- This fixture does not fit into a recessed can
- No can needed in remodel applications, tension clips mount into 1/2" to 1.5" thick ceiling
- Can be removed from below the ceiling for service or replacement
- Pre-wired junction box with circuit wiring built in (3 in/ 3 out)

### Certifications:

- ETL Listed for USA and CA
- Energy Star Certified
- CA Title 24 JA8-2022 CEC Listed
- 5 Year Limited Warranty
- FCC CFR 47, GCC Part 15, Subpart B:2017
- IC Rated and ASTM-E283 Air-Tight
- Complies with UL 263, ASTM E119, CAN ULC S101

| Series  | Finish              | Emergency                      | Beam Angle          | Driver   |
|---|---------------------|--------------------------------|---------------------|--|
| <b>LED-SQM1-4-15W-5CCT</b><br>Single Head<br>15W • 1,000lm • 120V | <b>WH</b><br>White  | <b>Blank</b><br>No Emergency   | <b>Blank</b><br>38° | <b>Blank</b><br>120V Triac Dim                       |
| <b>LED-SQM2-4-30W-5CCT</b><br>Double Head<br>30W • 2,000lm • 120V | <b>BLK</b><br>Black | <b>EMB</b><br>Emergency Backup | <b>20D</b><br>20°   | <b>0/10V<sup>1</sup></b><br>120-277V 0-10V Dimmable* |
| <b>LED-SQM3-4-45W-5CCT</b><br>Triple Head<br>45W • 3,000lm • 120V |                     |                                | <b>60D</b><br>60°   |  |

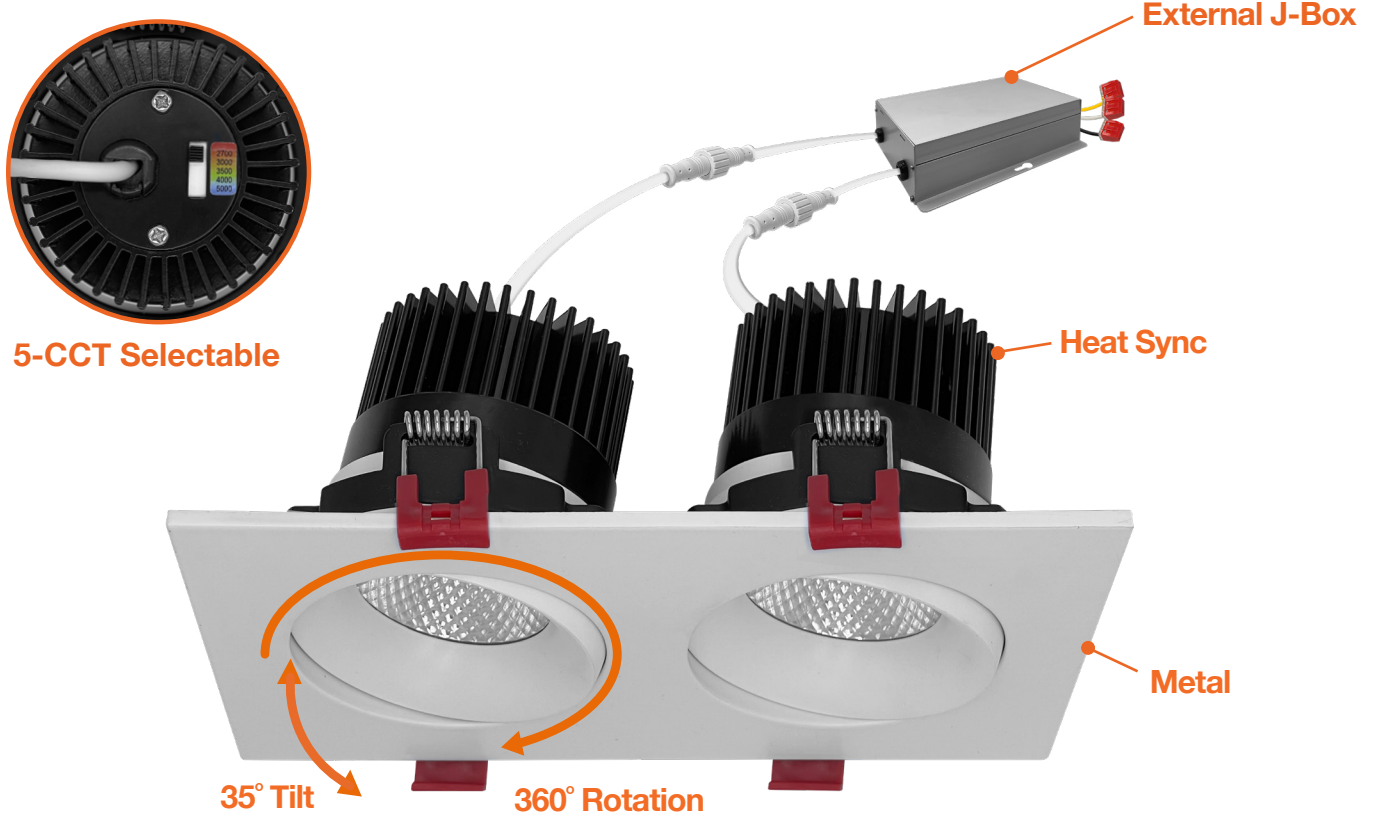
1. Custom order only

| Optional Accessories (Order Separately)                    |  |
|--|--|
| New Construction Plate                                     | Emergency Backup <sup>1</sup>                            |
| <b>CUNV-SQM-NC-ICAT</b><br>Universal plate w/ hanging bars | <b>LED-EMB-25W-HV</b><br>-0/10V-2P<br>Up to 24W fixtures |

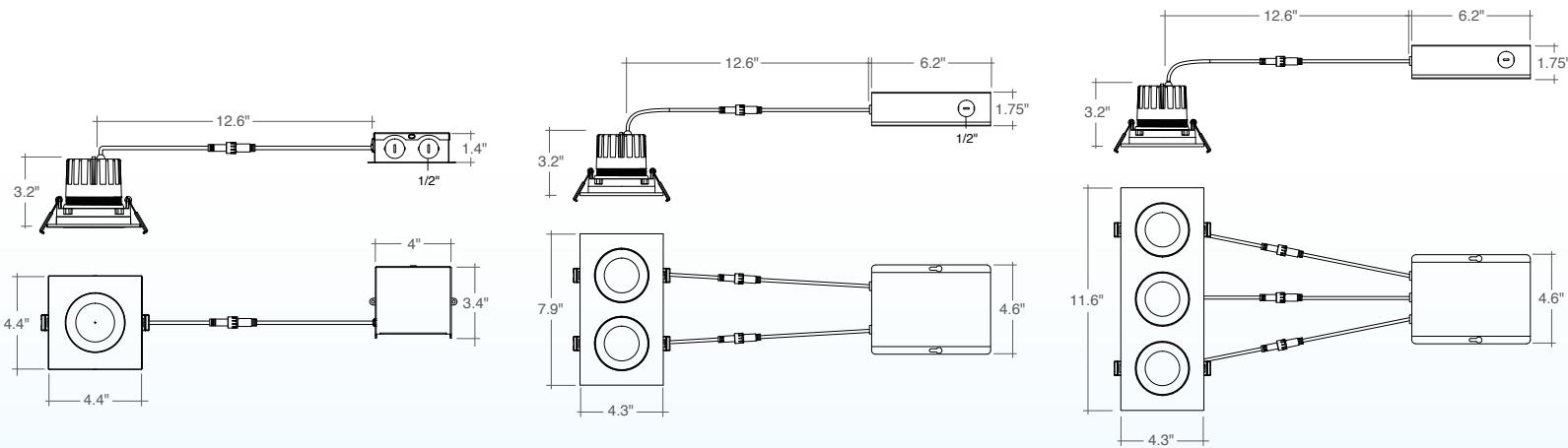
1. Field installable. Lasts 90 minutes.

Specs and model numbers are subject to change with or without notice.

**FEATURES**

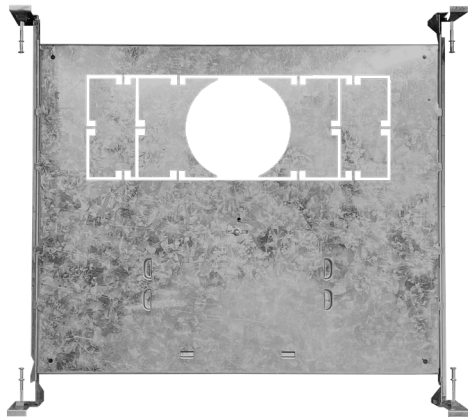


**DIMENSIONS**



### ACCESSORIES

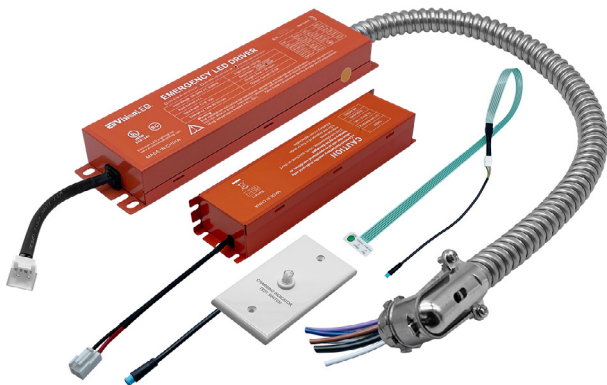
| Model                   | Voltage | Watts | Lumens | Color           | CRI |
|-------------------------|---------|-------|--------|-----------------|-----|
| LED-SQM1-4-15W-5CCT-WH  | 120V    | 15w   | 1000   | 27/30/35/40/50K | >90 |
| LED-SQM1-4-15W-5CCT-BLK | 120V    | 15w   | 1000   | 27/30/35/40/50K | >90 |
| LED-SQM2-4-30W-5CCT-WH  | 120V    | 30w   | 2000   | 27/30/35/40/50K | >90 |
| LED-SQM2-4-30W-5CCT-BLK | 120V    | 30w   | 2000   | 27/30/35/40/50K | >90 |
| LED-SQM3-4-45W-5CCT-WH  | 120V    | 45w   | 3000   | 27/30/35/40/50K | >90 |
| LED-SQM3-4-45W-5CCT-BLK | 120V    | 45w   | 3000   | 27/30/35/40/50K | >90 |



**CUNV-SQM-NC-ICAT**  
**Universal Pre-Mounting Plate**  
14 3/4" x 11 3/4"

### CONSTRUCTION PLATES

| Accessory        | Description                          |
|------------------|--------------------------------------|
| CUNV-SQM-NC-ICAT | New Construction Plate: SQM Fixtures |



**LED-EMB-25W-HV-0/10V-2P**

### BATTERY BACK-UP

| Accessory               | Description        |
|-------------------------|--------------------|
| LED-EMB-25W-HV-0/10V-2P | Up to 24W fixtures |