



2X4



2X2



1X4

BackLit LED Panel

3CCT & 3 Power Selectable

The EnVision LED Back-lit Panel has a unique modern design configured to combine high performance LED chips and our leading technology diffuser, which makes the ideal solution for any commercial lighting need. Now, with power changing and selectable color temperatures, these panels will suit all of your needs! This high efficient luminaire provides long-life and uniform illumination, in addition to being equipped with a 0-10V dimmable driver.

Applications:

- Suspended Installation
- Commercial Lighting
- Recessed Lighting
- General Indoor Lighting

Product Information:

- Even Light Distribution
- Damp Location Rated
- 110° Beam Angle
- Dimmable: Compatible with 0-10V Dimmers Down to 5%
- No Yellowing of the Lens
- 120/277V
- 80 CRI (Color Rendering Index)

Watts	Lumens
20W	2,200
30W	3,300
40W	4,400
50W	5,500



1 Product	2 Size/Wattage	3 Color	4 Accessories	5 BMS	6 EMB	7 Warranty
LED-BPL Back-lit Panel	1X4-3M40 20/30/40W (110lm/w) 2X2-3M40 20/30/40W (110lm/w) 2X4-3M50 30/40/50W (110lm/w)	TRI 35/40/50K	(Blank) None SM Surface Mount Frame Kit (3.5" Height) FLNG Flange (Drywall) Kit SK Suspension Kit	(Blank) None BMS Bi-Level Motion Sensor LRD Bi-Level Motion Sensor Ceiling Application	(Blank) None EMB Emergency Backup (External 15W)	(Blank) 5 Year (incl.) 10YR 10 Year

Specs and model numbers are subject to change with or without notice. Customization of product is available.

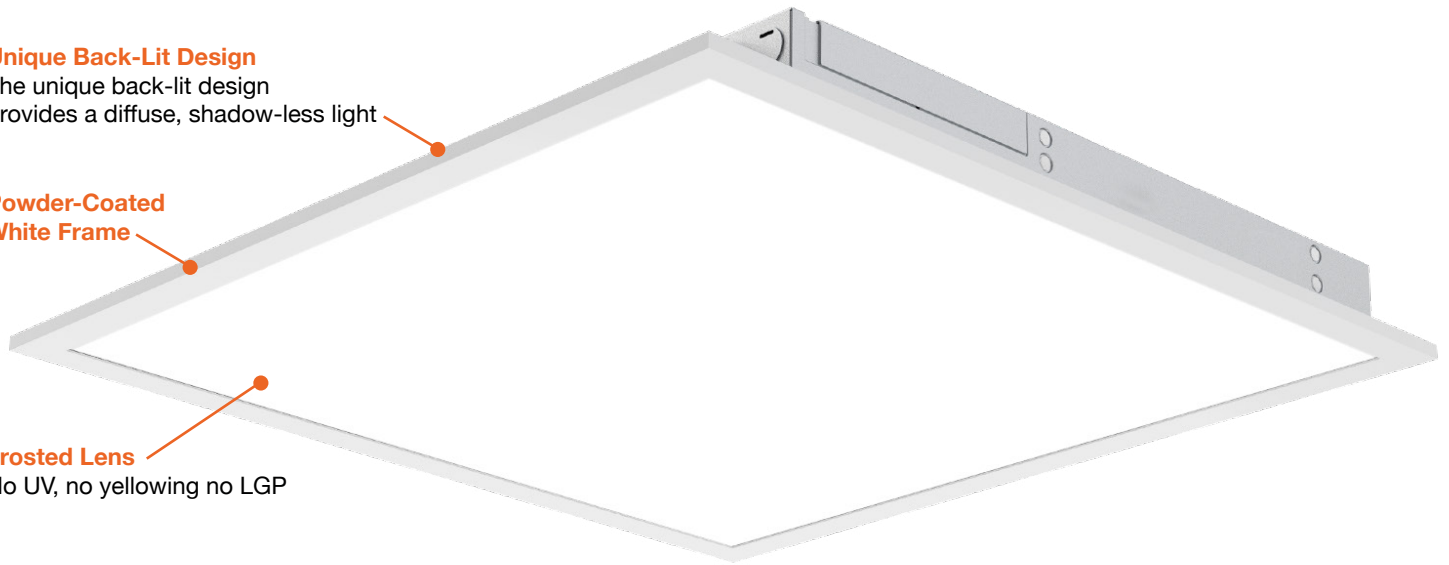
Unique Back-Lit Design

The unique back-lit design provides a diffuse, shadow-less light

Powder-Coated White Frame

Frosted Lens

No UV, no yellowing no LGP

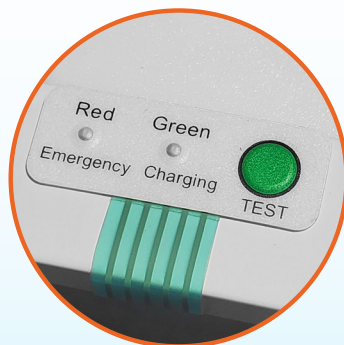
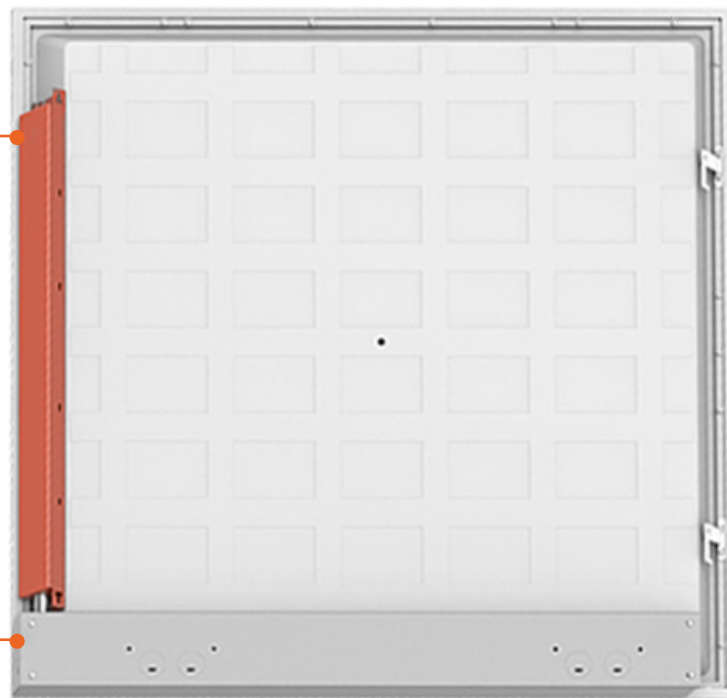


Emergency Backup

Optional 90 minute emergency backup

Integrated Driver

Flicker-free integrated driver, 0-10V dimmable



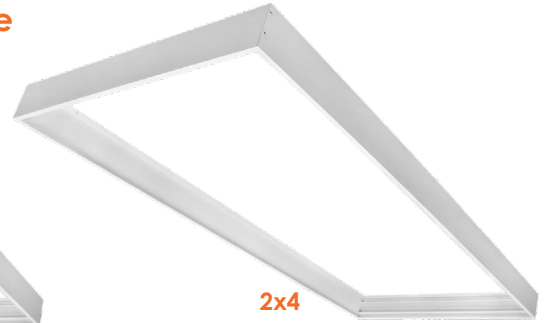
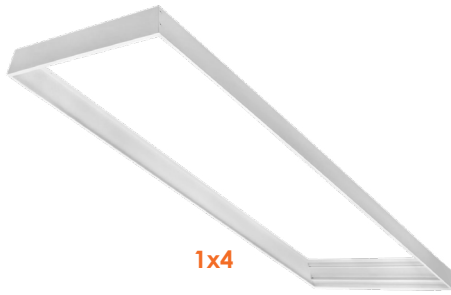
Sticky Slim Test Button

Test button will be pre-installed to the flange of the fixture. No need for external junction box for test switch

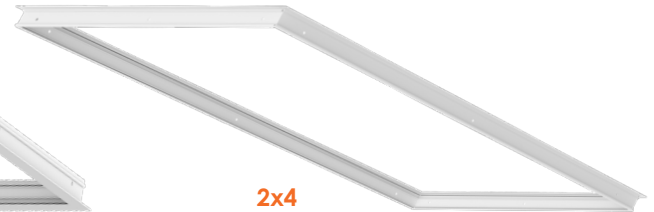
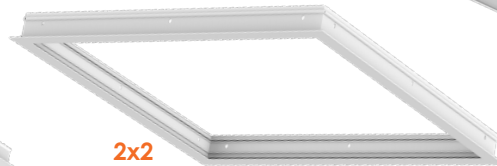
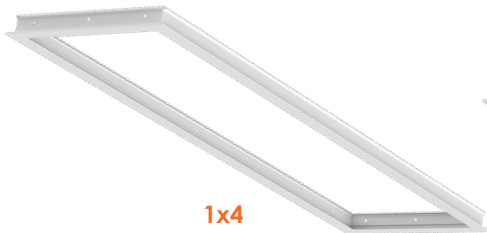
Works for Drop Ceiling, Flange, Surface Mount Application

Optional Accessories

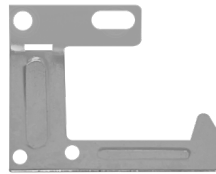
Surface Mount Frame



Flange (Drywall) Kit



Emergency Backup



Earthquake Hook



Suspension Kit

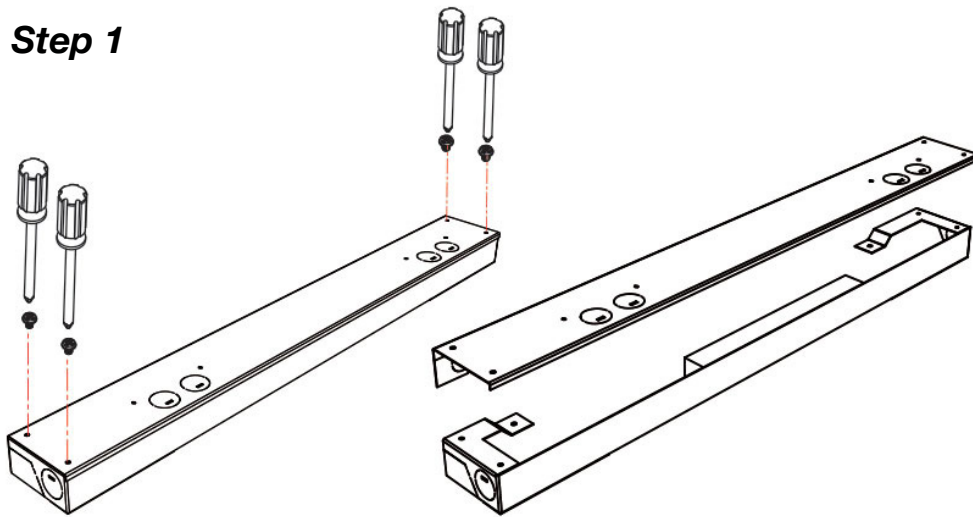
1x4 / 2x2 / 2x4 Panel Accessories

Accessories also work with other 2x2 and 2x2 fixtures (SM only compatible with edge-lit panels)

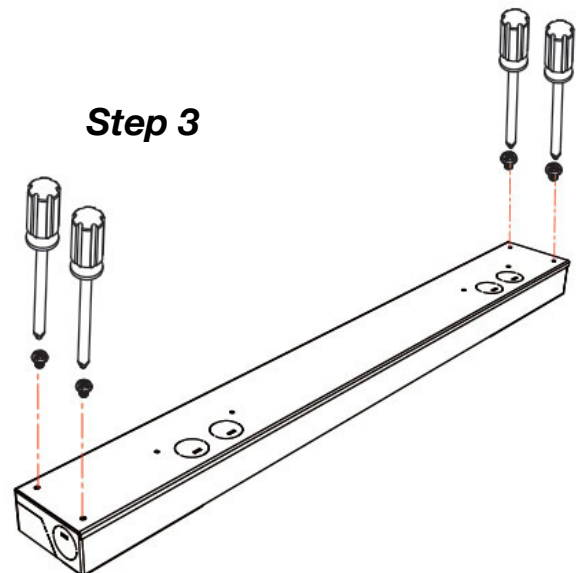
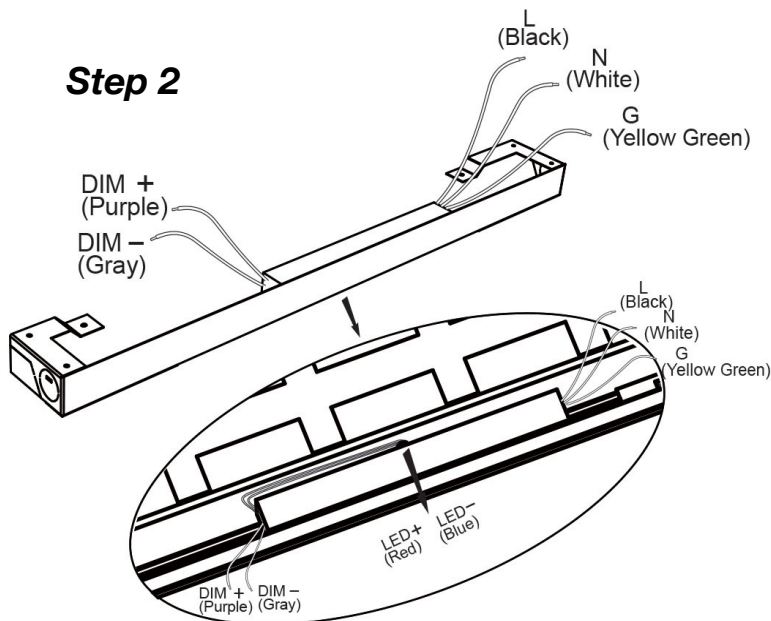
Model	Description
LED-PNL-1X4-SM	Surface Mount Frame 1x4 (Edge-lit and BPL Panels only)
LED-PNL-2X2-SM	Surface Mount Frame 2x2 (Edge-lit and BPL Panels only)
LED-PNL-2X4-SM	Surface Mount Frame 2x4 (Edge-lit and BPL Panels only)
LED-PNL-1X4-FLNG	Flange (Drywall) Kit for Panels for all 1x4 fixtures
LED-PNL-2X2-FLNG	Flange (Drywall) Kit for Panels for all 2x2 fixtures
LED-PNL-2X4-FLNG	Flange (Drywall) Kit for Panels for all 2x4 fixtures
LED-PNL-1X4-SK	Suspension Kit for Panels 1x4
LED-PNL-2X2-SK	Suspension Kit for Panels 2x2
LED-PNL-2X4-SK	Suspension Kit for Panels 2x4
LED-PNL-HK	Earthquake Hook
2X2-SM-3.5"	2x2 Surface Mount Kit 3.5" Height for all panels and troffers
2X4-SM-3.5"	2x4 Surface Mount Kit 3.5" Height for all panels and troffers
3Whip-(#)ft - Specify ft in place of #	3 Wire Whip Hot, Neutral, Ground
5Whip-(#)ft - Specify ft in place of #	5 Wire Whip Hot, Neutral, Ground, Dim
480V-DRIVER	347-480V Driver for Fixture

Installation Instructions

Step 1: Open the cover of junction box with phillips screwdriver



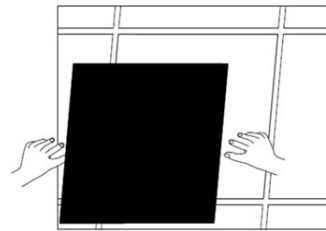
STEP 2: For AC input, connect neutral wire (White) to AC-N, Live wire (Black) to AC-L and Ground wire (Yellow Green) to the screw wire logo. For 0-10V dimmer wiring: connect the dimmer+ wire to the DIM+, connect the dimmer- wire to the DIM-.



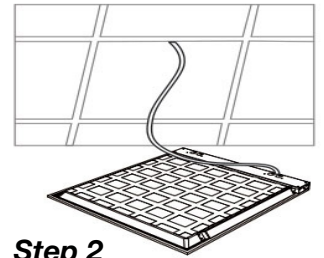
Step 3: Put the cover back and tighten screws

Recessed Installation in Suspended Grid Ceiling

- Step 1:** Move away ceiling tile
- Step 2:** Connect power supply
- Step 3:** Put the panel light into framework
- Step 4:** Finish the installation

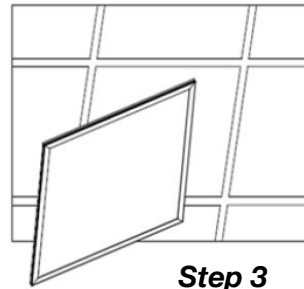


Step 1

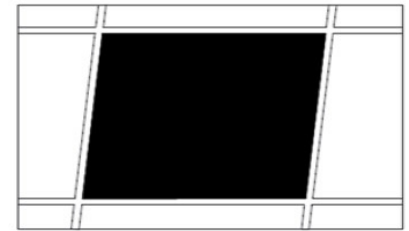


Step 2

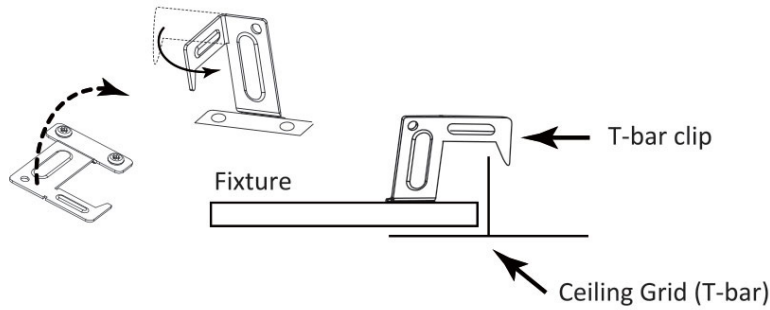
T-Bar clips should be bent out to provide additional safety and support. Additional support means may be required by local or national codes. Hold provided may be used to further secure fixture from above.



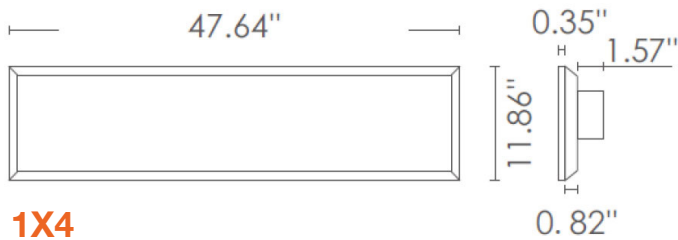
Step 3



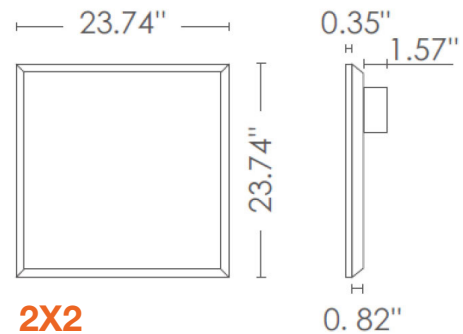
Step 4



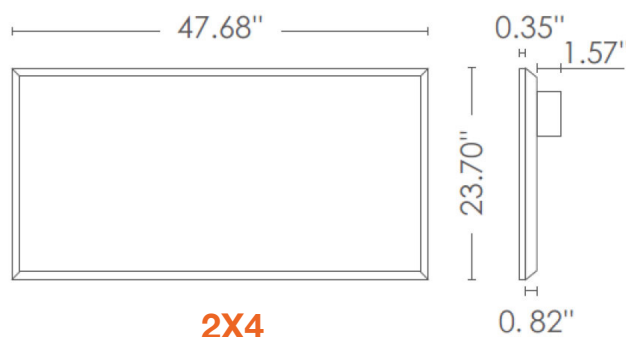
Dimensions



1X4



2X2



2X4