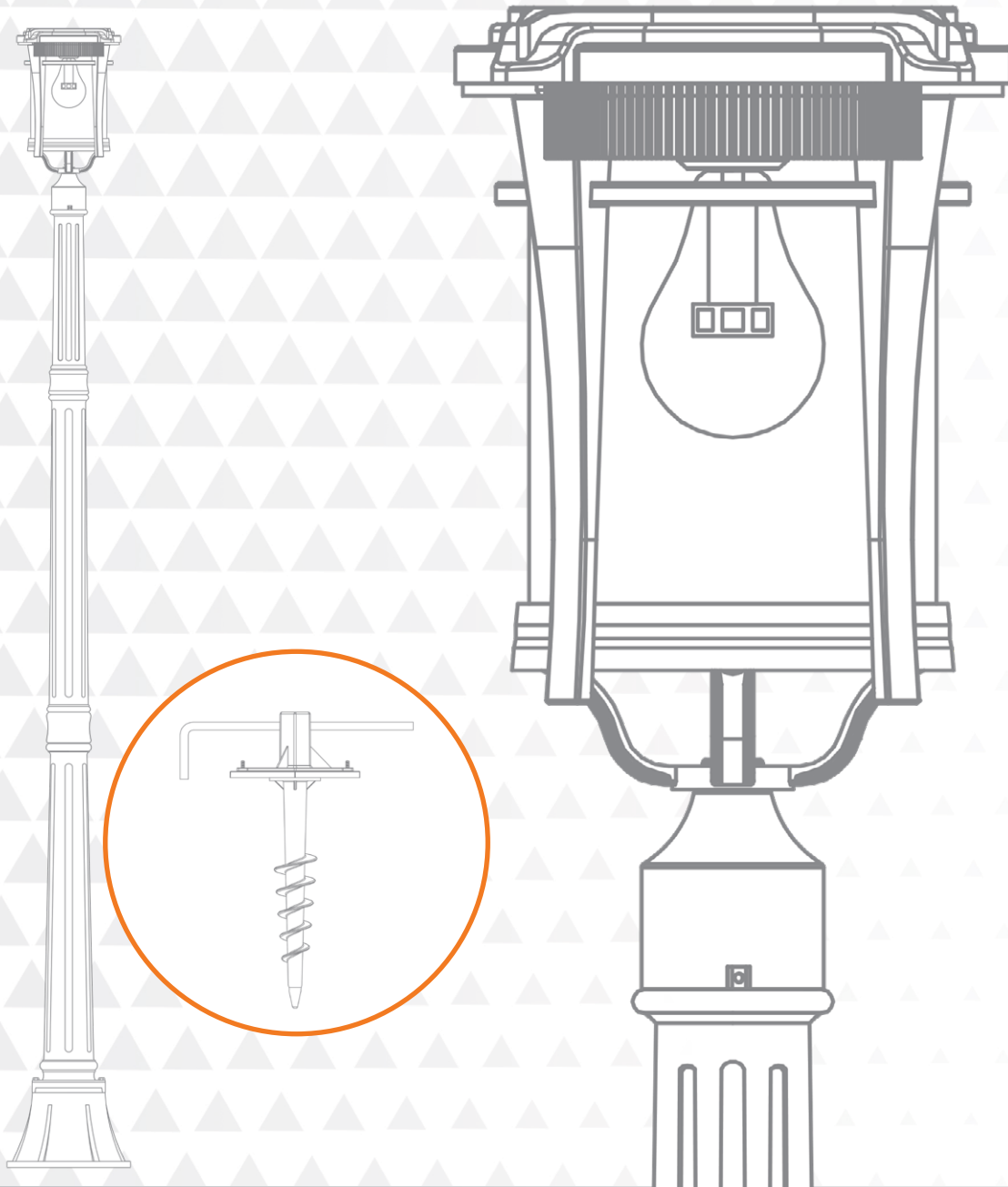


# **GAMA SONIC<sup>®</sup>**

## **SOLAR LIGHTING**



# **AURORA BULB POST LAMP**

with EZ Anchor

Part # 124B50071

US patent # 9458970 / Version 1.1



Please read the instruction manual carefully to obtain the best results from your purchase.

**Thank you for your purchase! GAMA SONIC®** solar charged lights are brighter and last all night with a typical solar charge. Unique design, superior light output and numerous installation options confirm the outstanding value of our product. **GAMA SONIC®** has been recognized as a worldwide leader in the lighting industry for over 20 years.

Technical Assistance / Warranty Claims / Replacement Parts  
Toll-Free number: +1-800-835-4113 (only within the US) or [www.gamasonic.com](http://www.gamasonic.com)

Visit our website or download the latest version of your instruction manual:  
[www.gamasonic.com](http://www.gamasonic.com) or [www.gamasonic.com/user-guides](http://www.gamasonic.com/user-guides)

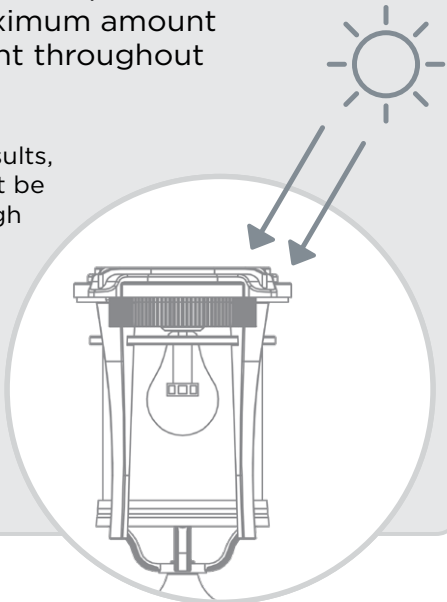
### Flame Bulb Optional

Your Gama Sonic Lamp Post comes with the option of using a flame bulb. You can either use the standard A50 bulb to resemble an incandescent light, or you can use the F30 Flame Bulb to simulate the look of a gas lantern.

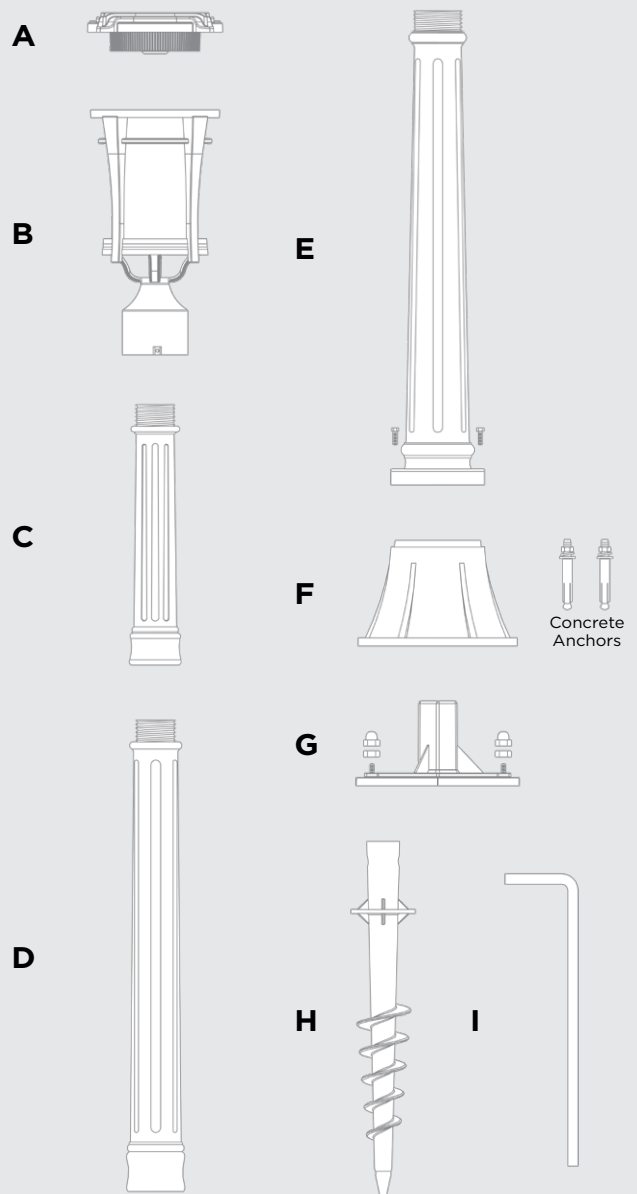
### Solar Lamp Location

For optimum light duration throughout the night, it is very important to mount your solar lamp in a spot where it will receive the maximum amount of direct sunlight throughout the day.

**NOTE:** For best results, the solar light must be charged in the "High or Low" position for at least 2 days of full direct sunlight.



### What's In The Box



## Assembly Instructions

1. Remove the EZ anchor plate (G) from the base pole (F) by removing the cap nut, nut, and washer from each of the three studs.



2. If installing the lamp using the EZ anchor, position the auger (H) where you want the lamp to be. (If installing without the anchor, skip to step 6b)
3. Using the turning bar (I), turn the auger (H) into the ground clockwise.

**Note:** For areas with hard dirt, moisten the ground with water to make installation easier.

4. Make sure the auger goes in straight by using the level bubble at the top. Stop once the ring is flush with the ground.
5. Place the EZ anchor plate (G) over the auger (H) and secure using the large nut and bolt.
6. Secure the base pole (F)

- a. If using the EZ anchor, slide the base pole (F) over the EZ anchor plate (G). Secure using the provided washer, nut, and cap nut for each of the three studs.



- b. If not using the EZ anchor and securing into concrete, using the base pole (F) as a template, mark and drill three holes.

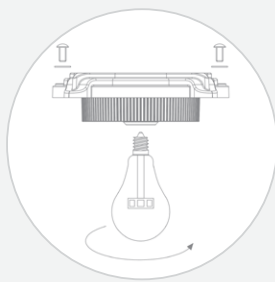
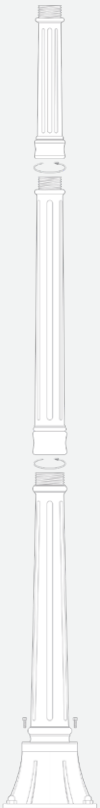
- i. Place the anchors into the holes and secure the base pole (F) by tightening the anchors.



7. Attach the middle pole (E) to the base

pole (F) and secure using the three screws.

8. Attach the top pole (D) to the middle pole (E) by twisting clockwise.
9. Attach the spacer pole (C) to the top pole (D) by twisting clockwise.
10. Attach the fixture (B) to the spacer pole (C) by twisting clockwise.
11. Insert the GS Solar LED bulb into the top (A) by twisting clockwise. Be sure to hold the bulb by its base and not the glass.
12. Turn the lamp on and secure the top (A) to the fixture (B) using the provided screws.



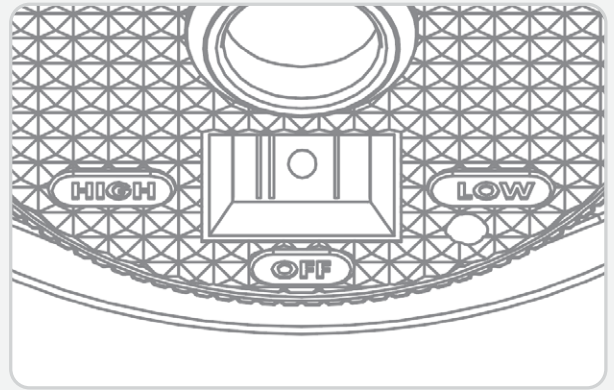
## Operation Instructions

1. Install the GS Solar LED Bulb into the Top (A).
2. Locate the operation switch on the underside of the Top (A).
3. Switch the lamp to either the Low or High setting according to your preference:

**Low = Softer light output and longer duration**

**High = Brighter light output**

4. The lamp will operate automatically at dusk.



## Replacement Parts

**Replacement Batteries and Bulbs are available at [www.gamasonic.com](http://www.gamasonic.com) or via our Toll Free number: +1-800-835-4113**

Your Lamp can use the following bulbs:

A50WW10W – included bulb with Warm White LEDs (2700K)

A50BW10W – bulb with Bright White LEDs (6000K)

F30WW05W – included Flame bulb with simulated flame LEDs

T45WW10W – Edison LED Bulb with Warm White LEDs (2700k)

Your Lamp uses the following battery:

GS32V15 – Li-Ion 3.2V/1500mAh

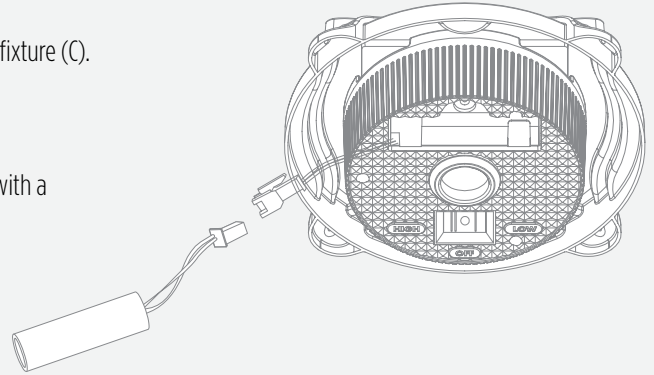


## Replacing the battery

**GAMA SONIC®**  
SOLAR LIGHTING

After several years of use, the battery may need replacing.

1. Remove the 2 screws from the top of the lamp and remove the Top (A) from the fixture (C).
2. Turn the lamp off and remove the bulb.  
Remove the screw from the battery compartment cover
3. Remove the battery and unclip the wire.
4. Make sure your new battery is a high quality 3.2V/1500 mAh Li-Ion battery pack with a matching connector.
5. Clip in the new battery and re-assemble the lamp by reversing steps 1-3.



Batteries are available for purchase at [www.gamasonic.com](http://www.gamasonic.com)

**WARNING:** Do not dispose of Li-Ion batteries in the regular trash, municipal waste stream or by fire as batteries may leak or explode. Do not open, short circuit, or mutilate batteries as injury may occur. Preserve our environment by recycling Li-Ion batteries or disposing of them in accordance with local, State, and federal regulations. Do not mix old and new batteries.

## Maintenance

Clean the solar panels regularly with a damp towel to guarantee optimum performance. Do not use any type of solvent for cleaning and be careful not to put too much pressure on the solar panels while cleaning.

## Troubleshooting

If your solar light does not come on as expected despite observance of all the instructions, please try the following steps:

1. Make sure that the solar lamp is not being affected by any other light source.
2. Ensure the solar lamp is not positioned in the shade during the day.
3. Check that the batteries are installed correctly.

**NOTE:** The performance of the solar lamp will vary with the time of year. It will last longer when it has had a full day in the sun rather than a day in overcast weather.



**WINTERTIME TIPS:** For optimal performance, be sure to remove any snow or debris accumulation from solar panel(s). A solar panel free of debris will charge the batteries much more efficiently.

**WARNING:** Please keep out of reach of children. Do not dispose of the Li-Ion battery in the regular trash, municipal waste stream or by fire as batteries may leak or explode. Do not open, short circuit, or mutilate batteries as injury may occur. Preserve our environment by recycling Li-Ion batteries or disposing of them in accordance with local, State and federal regulations. Do not mix old and new batteries.