

GAMA SONIC[®]

SOLAR LIGHTING




ORION SOLAR WALL LIGHT

WITH GS SOLAR LED LIGHT BULB

Model: 123010

Version 1.1

Instruction Manual

 Please read the instruction manual carefully to obtain the best results from your purchase.

Thank you for your purchase. GAMA SONIC® solar charged lights are brighter and last all night with a typical solar charge. Unique design, superior light output and numerous installation options confirm the outstanding value of our product.

GAMA SONIC® has been recognized as a worldwide leader in the lighting industry for over 20 years. The company also offers unique products from multi-purpose solar lamps to emergency lighting products.

**For technical assistance and more information call our Toll-Free number:
800-835-4113 (only within the US)**

Or

**visit our website or download the latest version of your instruction manual:
www.gamasonic.com Or www.gamasonic.com/user-guides**

Gama Sonic's New Morph Technology

Gama Sonic's NEW Morph Solar Panel Technology is a groundbreaking process in the way we capture more power from the sun. Our Morph technology still uses monocrystalline solar panels. However, instead of the small sized solar panels, our new technology allows the solar panels to MORPH into the light fixture.



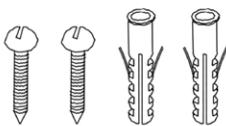
Solar Lamp Location:

For optimum light duration throughout the night, it is very important to mount your solar lamp in a spot where it will receive the maximum amount of direct sunlight throughout the day. The solar light must be charged in full sun for two days for the best results.

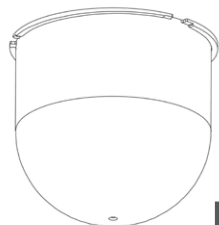
NOTE: The following steps are for reference only. Consult your local hardware store for the best installation method for your chosen surface.

What's In The Box:

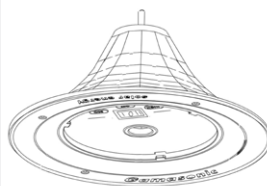
GS-123W PARTS



A



B



C



D



E

Assembly Instructions

A. Bulb Assembly

1. Remove the lens by turning it counterclockwise **(Fig. 1)**
2. Make sure the Low/OFF/High switch is in the OFF (0) position. **(Fig. 2)**

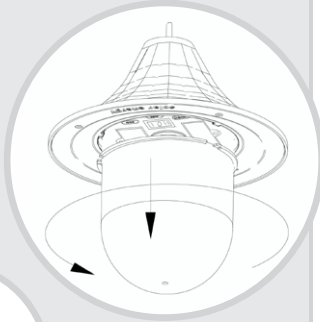


Fig. 1



Fig. 2

3. Remove (if needed) the existing bulb by turning it counterclockwise **(Fig. 3)**
4. Install the new GS Solar LED Bulb by turning into the bulb socket clockwise **(Fig. 3)**



Fig. 3

5. Reassemble the unit by reversing the above procedure **(Fig. 4)**

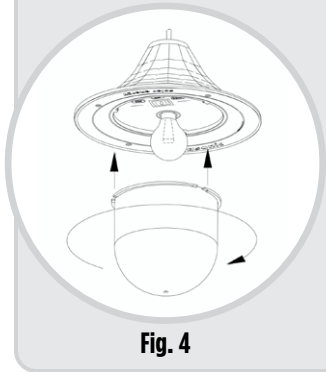


Fig. 4

Installation Instructions

Refer to the “solar light location” paragraph before choosing the installation location.

Using the wall mount as a template, drill two holes in the wall, and place provided anchors into the holes. Place the wall bracket in line with the holes and secure the light fixture with the provided screws.

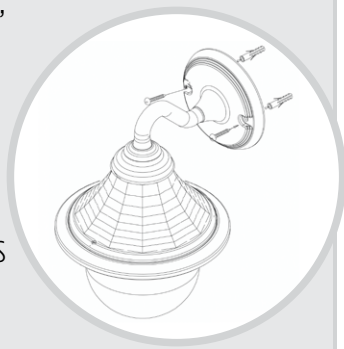


Fig. 9

B. Solar Light Fixture Assembly

1. Slide the decorative cap over threaded shaft **(Fig. 5)**
2. Install the wall bracket to the threaded shaft by turning it clockwise **(Fig. 6)**.
3. Your item will be fully assembled as shown. **(Fig. 7)**

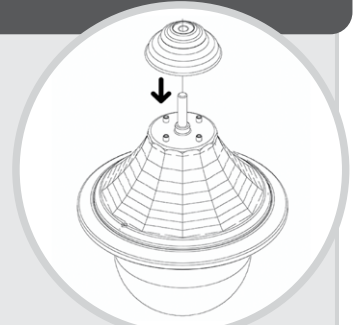


Fig. 5

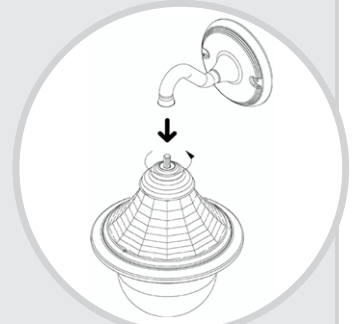


Fig. 6



Fig. 7

Operation Instructions

1. Remove the lens by turning it counterclockwise **(Fig. 1)**
2. Turn the operation switch **(Fig. 8)** to the ON position at the desired settings.
 - a. (I) For softer light and longer duration.
 - b. (II) For brighter light output.The Solar Lamp will automatically operate from dusk to dawn.
3. Reattach the lens by turning it clockwise **(Fig. 4)**.

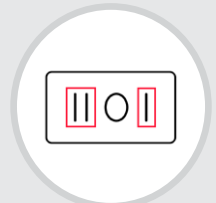


Fig. 8



Replacing the Battery

GAMA SONIC®
SOLAR LIGHTING

Replacement batteries are available
at www.gamasonic.com or via our Toll free number: +1-800-835-4113

After several years of use, the battery may need replacing.

1. Remove the lens by turning it counterclockwise (Fig. 1). Make sure the ON/OFF switch is in the OFF (O) position.
2. Unscrew each of the screws for the battery door and remove the doors. (Fig. 10)
3. Unclip the connector and remove the old battery. Make sure the new batteries are high quality 3.2V/1500mAh Li-Ion rechargeable battery with connector. (2 Gama Sonic Item #GS32V15)
4. Clip on new battery and install into the battery compartment. Re-install the battery compartment door.
5. Reassemble the unit by reversing the above procedure.

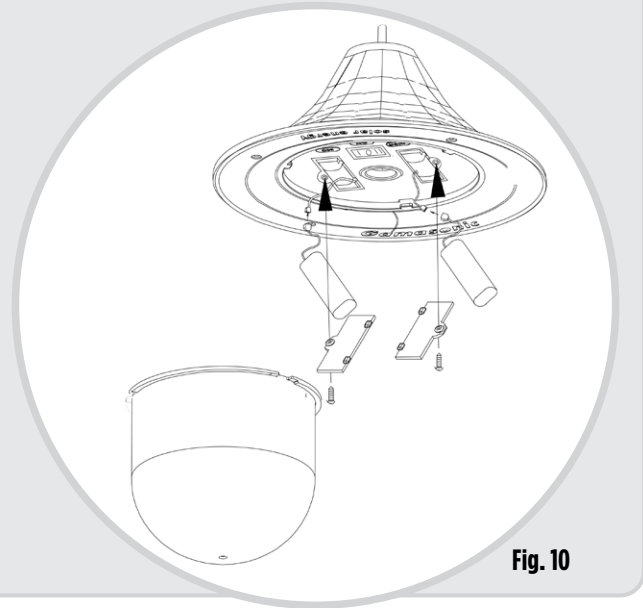


Fig. 10

MAINTENANCE

Clean the solar module regularly with a damp towel to guarantee optimum performance of the solar panel. Do not use any type of solvent for cleaning and be careful not to put too much pressure on the module while cleaning.

TROUBLESHOOTING

If your solar charged light does not come on at dusk despite observance of all the instructions, please try the following steps:

1. Make sure that the solar panel is not being affected by any other light source.
2. Ensure the solar light is not positioned in the shade during the day.
3. Make sure the switch in the lamp head is the On (I or II) position.
4. Check that the batteries are installed correctly.

NOTE: The performance of the solar lamp will vary with the time of year. It will deliver more light when it has had a full day in the sun rather than a day in overcast weather.



WINTERTIME TIPS: For optimal performance, be sure to remove any snow or debris accumulation from solar panel(s). A solar panel free of debris will charge the batteries much more efficiently.

WARNING: Please keep out of reach of children.



WARNING: Please keep out of reach of children. Do not dispose of Li-Ion battery in the regular trash, municipal waste stream or by fire as batteries may leak or explode. Do not open, short circuit, or mutilate batteries as injury may occur. Preserve our environment by recycling Li-Ion batteries or disposing of them in accordance with local, state and federal regulations. Do not mix old and new batteries.