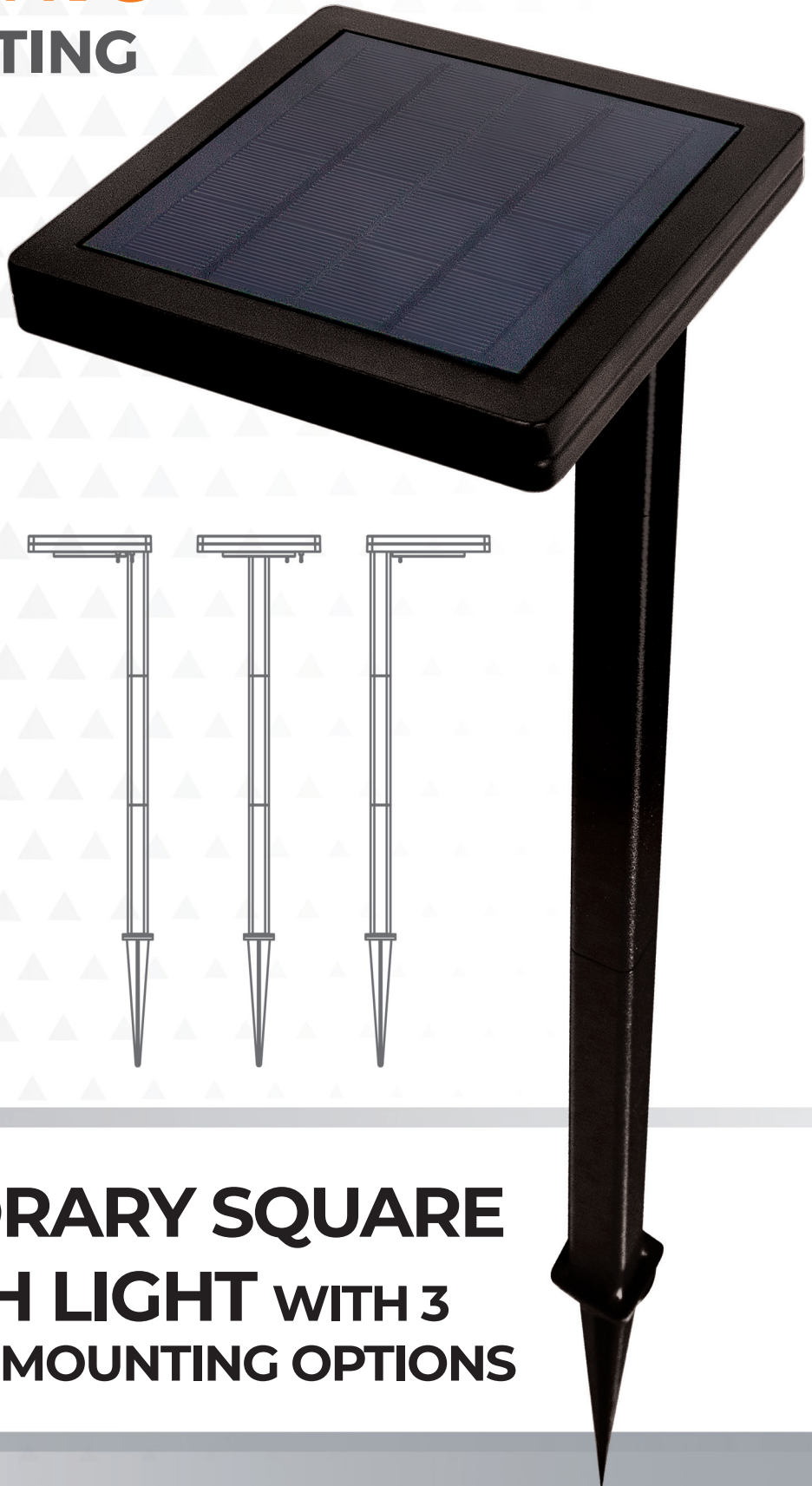


GAMA SONIC®

SOLAR LIGHTING



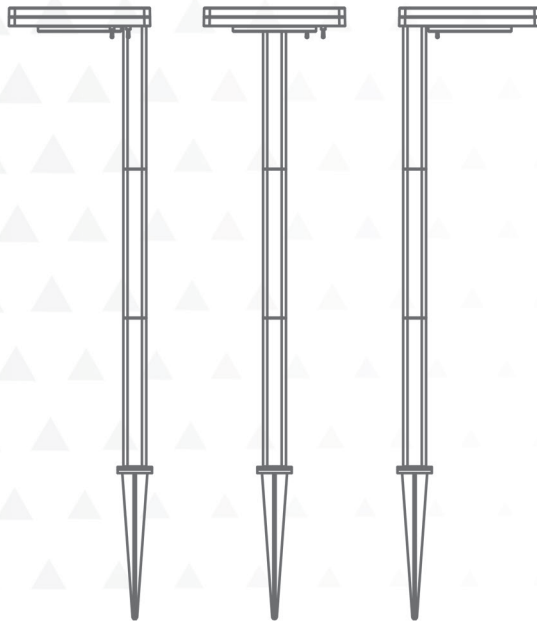
Side Mount



Center Mount



Corner Mount



CONTEMPORARY SQUARE SOLAR PATH LIGHT WITH 3 GROUND STAKE MOUNTING OPTIONS

Part # 117i90080, 117i90480, 117iP290080, 117iP290480

Version 1.1

 Please read the instruction manual carefully to obtain the best results from your purchase.

Thank you for your purchase. GAMA SONIC® solar charged lighting eliminates the problems associated with most solar lighting available today. GAMA SONIC® solar charged lights are brighter and last all night with a typical solar charge. Unique design, superior light output and numerous installation options confirm the outstanding value of our product.

GAMA SONIC® has been recognized as a worldwide leader in the lighting industry for over 20 years. The company also offers unique products from multi-purpose solar lamps to emergency lighting products.

**For technical assistance and more information call our Toll-Free number:
800-835-4113 (only within the US)**

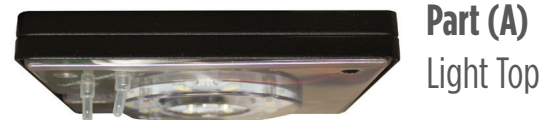
Or

**visit our website or download the latest version of your instruction manual:
www.gamasonic.com Or www.gamasonic.com/user-guides**



**Screwdriver is necessary
for assembly this unit.**

Assembly instructions (Fig. 1)



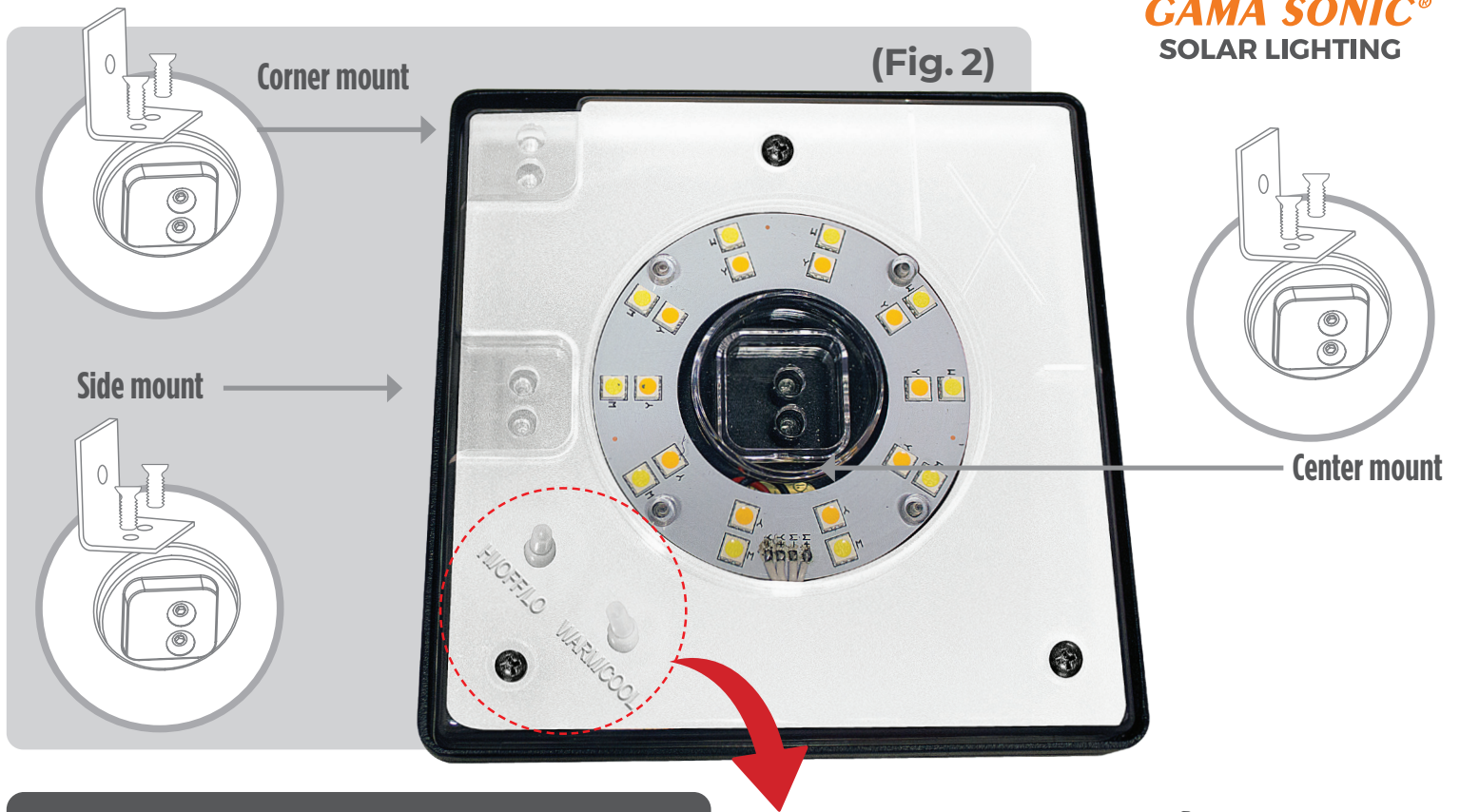
1. Solar Light Location:

For optimum light duration throughout the night, it is important to place your solar light in a spot where it receives maximum amount of direct sunlight throughout the day.



NOTE: For best results, the solar light must be charged for two sunny days in the "HIGH" or "LOW" position.





2. Assembly instructions:

1. First you need to select the light mounting option you desire: Side mount / Center mount / Corner mount
Turn over the top (A) like in Fig 2 and locate the bracket position that creates the mounting option you like.
2. Once you picked the location, remove the screws from the lens and use to secure the bracket (B)
3. Insert section (C1) on top of the bracket (B) and secure it with a screw (S).
4. Insert the second section (C2) to the first section and secure it with a screw (S).
5. Insert the bottom section (D) to the second section (C2) and secure it with a screw (S).
6. Next, connect the stake (E) to the base section (D) by screwing the stake clockwise.
7. Insert the completed lamp assembly into the ground in your desired location. Make sure the stake is fully inserted into the ground.

NOTE: If you are having trouble inserting the stake into the ground, try moistening the ground with water.



3. Operation Instructions

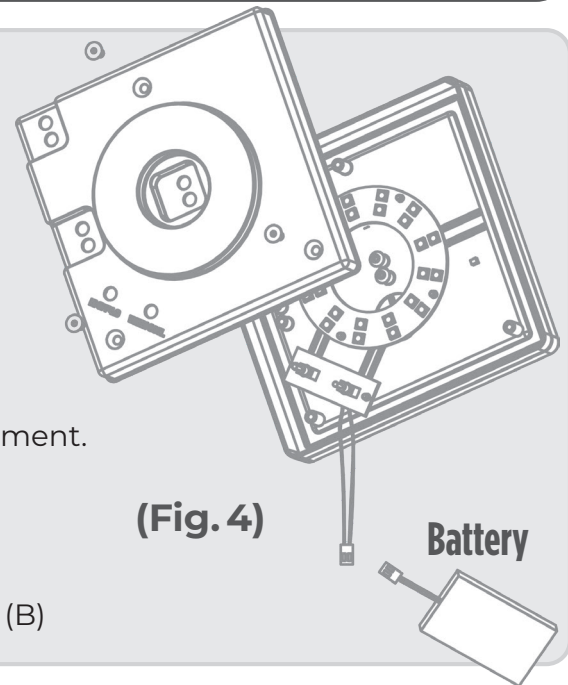
1. Turn the operation switch to Low or High position (Fig.3) according your preferences:
 - a. LO (Low) For softer light and longer duration.
 - b. HI (High) For brighter light output.
2. Chose the color output temperature
 - a. WARM For Warm White (2700K)
 - b. COOL For Bright White (6000K)
3. The solar lamp will automatically operate at dusk.



Replacing the Batteries

Follow the below instructions to replace the battery:

1. Remove the top part (A) from the rest of the stake by opening the first screw on pole section (C1)
2. Make sure the ON/OFF switch is in the OFF position.
3. Open all the screws on the lens (total 9 screws) to remove the compartment cover. (Fig.4).
4. Remove the old battery by unclipping its plug.
5. Make sure the battery is a Gama Sonic GS37V20FLT Li-ion Rechargeable Battery with a connector.
6. Clip on the new battery and install it into the battery compartment. Remember to turn the light back ON to the low or high position.
7. Reattach the compartment cover and install all 9 screws, remember to place the bracket back to the same position.
8. Connect back the pole by securing section (C1) to the bracket (B)



MAINTENANCE

Clean the solar module regularly with a damp towel to guarantee optimum performance of the solar panel. Do not use any type of solvent for cleaning and be careful not to put too much pressure on the module while cleaning.

TROUBLESHOOTING

If your solar charged light does not come on at dusk despite observance of all the instructions, please try the following steps:

1. Make sure that the solar light is not being affected by any other light source.
2. Ensure the solar light is not positioned in the shade during the day.
3. Make sure the switch in the lamp head is in NOT on the "OFF" position.
4. Check that the batteries are installed correctly.

NOTE: The performance of the solar light will vary with the time of year. It will deliver more light when it has had a full day in the sun rather than a day in overcast weather.



WINTERTIME TIPS: Keep snow and debris cleaned off the solar panels so the batteries can recharge. If the lights are covered with snow for an extended period, after the snow melts, allow all the batteries to charge in full, direct sunlight for at least 6 hours to their maximum capacity.



WARNING: Please keep out of reach of children. Do not dispose of Li-Ion battery in the regular trash, municipal waste stream or by fire as batteries may leak or explode. Do not open, short circuit, or mutilate batteries as injury may occur. Preserve our environment by recycling Li-Ion batteries or disposing of them in accordance with local, state and federal regulations. Do not mix old and new batteries.