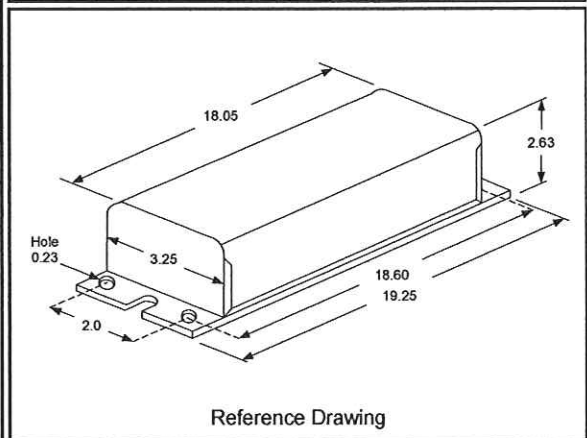
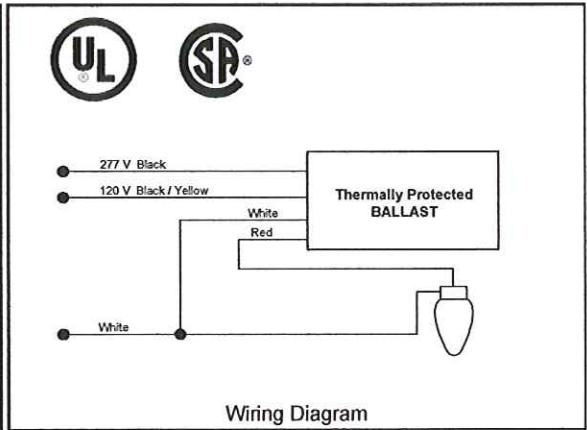


Specification Sheet

Input Volts	120	277		
Regulation				
Line Volts	±10%	±10%		
Lamp Watts	±10%	±10%		
Power Factor (min)	90%	90%		
Input Watts	463 W	463 W		
NOM. Open Circuit Voltage	300 V	300 V		
Line Current (Amps)				
Operating	3.90	1.70		
Open Circuit	4.00	1.75		
Starting	2.30	1.00		
Recommended Fuse (Amps)	10	5		
Lamp Dropout Voltage (Line)	65 V	150 V		
Ratings				
Insulation Class	A (105°C)	A (105°C)		
Sound Rating	C	C		
MIN. Starting Temperature	-22°F -30°C	-22°F -30°C		
CAPACITOR Specifications				
Microfarads	-	-		
Volts (min.)	-	-		
60Hz Test Procedures				
High Potential Test 1 Minute	2000 V	2000 V		
High Potential Test 1 Second	2500 V	2500 V		
Secondary Open Ckt Voltage (V)	270 - 330	270 - 330		
Secondary Current Shorted (A)	3.35 - 4.25	3.35 - 4.25		
Input Operating Current (A)	3.50 - 4.30	1.50 - 1.90		
Input Open Circuit Current (A)	2.00 - 5.70	0.85 - 2.50		
Input Short Circuit Current (A)	1.65 - 2.80	0.65 - 1.15		
Physical Characteristics				
Weight	22.0 lbs	22.0 lbs		
Lead Lengths (inches)	12-14	12-14		
Coil Material (Pri. / Sec.):	Cu / Cu	Cu / Cu		



Capacitor: Internal **Ignitor: None**

Insulate unused input leads
with proper electrical insulation

Anchor bracket / tab
provided for splice box
SB-4 (not included)

Document #:	010-12798-00
Date:	6/17/2008
Status:	Production
Replaces Catalog #:	New Design

Data is based upon tests performed by Universal Lighting Technologies in a controlled environment and is representative of relative performance. Actual performance may vary depending on operating conditions. Specifications are subject to change without notice.