

GAMA SONIC®

SOLAR LIGHTING



Instruction Manual

BAYTOWN II SCONCE SOLAR LAMP

Part #: 105BP250040/105BP250240

US Patent # 9458970 #7478919

Version 1.2

 Please read the instruction manual carefully to obtain the best results from your purchase.

Thank you for your purchase. GAMA SONIC® solar charged lights are brighter and last all night with a full day solar charge. Unique designs, superior light output, and numerous installation options confirm the outstanding value of our product.

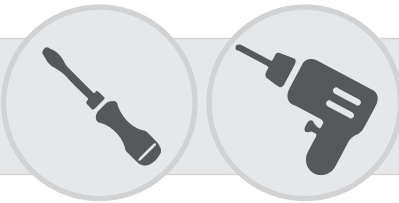
For technical assistance and more information call our Toll-Free number:

800-835-4113 (only within the US)

Or

visit our website or download the latest version of your instruction manual:

www.gamasonic.com Or **www.gamasonic.com/user-guides**

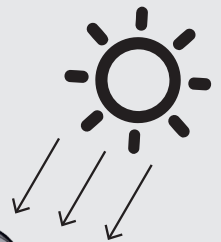


Tools that are needed but not supplied with the solar post lamps are: a screwdriver, power drill.

Solar Lamp Location:

For optimum light duration throughout the night, it is very important to place your solar lamp in a spot where it will receive the maximum amount of direct sunlight throughout the day.

Note: For best results, the solar lamp post must be charged for two sunny days in the “ON” (High or Low) position.



What's Inside:

Open your package and remove the contents. Check to make sure all pieces are present and accounted for.



A. Fixture



B. Wall bracket



C. Bulb



WARNING: GAMA SONIC® Light bulbs are built and designed for Gama Sonic products only.

They are not designed to be used in other electrical sockets.

For the same reason, regular AC and/or Low Voltage bulbs cannot be used in Gama Sonic products.

Operation Instructions

1. Make sure the lamp is in the OFF (O) position (Fig. 1).
2. Detach the back of the lamp unit (B) by removing the 2 screws at the base of the lamp (Fig. 2).
3. Install the GS Solar LED bulb by holding it at its base and twisting clockwise (Fig 3).
4. Reassemble the unit by reversing the above steps.
5. Make sure the High/OFF/Low switch is in the ON (High or Low) position (Fig. 1).



Installation Instructions (Fig 4)

1. Using the mounting bracket as a template, mark where the two holes will need to be to hang your light.
2. Using a drill, make two holes no larger than the anchors where those marks are and insert the wall anchors.
3. Place the bracket in line with the holes and secure with the provided screws. (make sure the bracket is installed so the two tabs are not against the wall)
4. Install the lamp onto the bracket making sure the two tabs slide into the grooves on the back of the lamp.





Replacing the Batteries

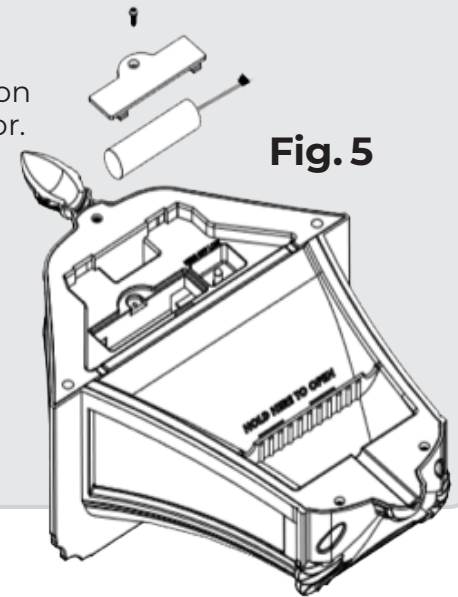
Replacement batteries and bulbs are available
at www.gamasonic.com or via our Toll free number: +1-800-835-4113

After several years of use, the battery may need replacing.

1. Make sure the ON/OFF switch is in the OFF (O) position.
2. Unscrew the one screw and detach the cover.
3. Unclip the connector and remove the old battery. (Fig. 5)
4. Make sure the new battery is a Gama Sonic – 3.2V/1500mAh, Li-ion rechargeable battery (Part# GS32V15) with a matching connector.
5. Clip on the new battery and place it inside the battery compartment.
6. Re-Install the battery compartment cover.



WARNING: Do not dispose of Li-On battery in the regular trash, municipal waste stream or by fire as batteries may leak or explode. Do not open, short circuit, or mutilate batteries as injury may occur. Preserve our environment by recycling Li-Ion batteries or disposing of them in accordance with local, State and federal regulations. Do not mix old and new batteries.



Maintenance

Clean the solar module regularly with a damp towel to guarantee optimum performance of the solar panel. Do not use any type of solvent for cleaning and be careful not to put too much pressure on the module while cleaning.

Trouble Shooting

If your solar charged light does not come on at dusk despite observance of all the instructions, please try the following steps:

1. Make sure that the solar light is not being affected by any other light source.
2. Ensure the solar light is not positioned in the shade during the day.
3. Make sure the switch in the lamp head is in the "LOW" or "HIGH" position.
4. Check that the batteries are installed correctly.

NOTE: The performance of the solar light will vary with the time of year. It will deliver longer duration when it has had a full day in the sun rather than a day in overcast weather.



WINTERTIME TIPS: For optimal performance, be sure to remove any snow or debris accumulation from solar panel(s). A solar panel free of debris will charge the batteries much more efficiently.

WARNING: Please keep out of reach of children.

