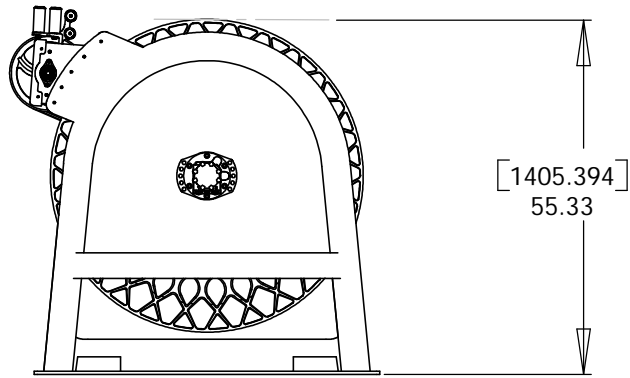
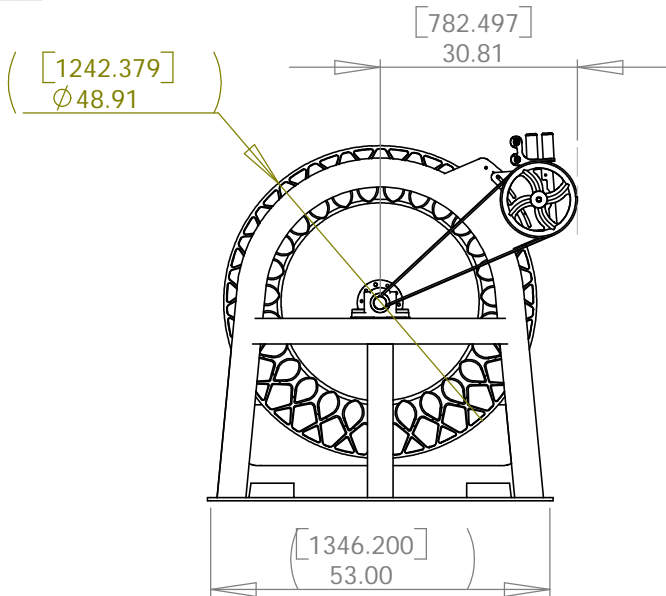


THE INFORMATION CONTAINED IN THIS DRAWING IS THE SOLE PROPERTY OF LINDGREN-PITMAN, INC. ANY REPRODUCTION IN PART OR WHOLE WITHOUT THE WRITTEN PERMISSION OF LINDGREN-PITMAN, INC. IS PROHIBITED.



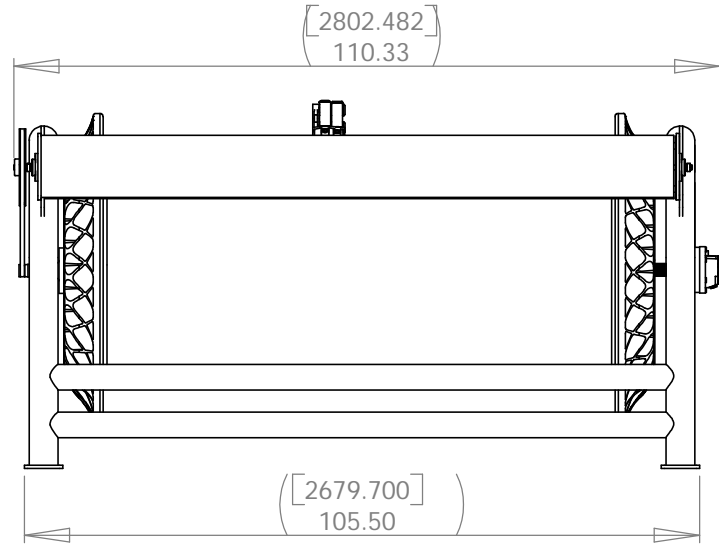
[1405.394]
55.33



[782.497]
30.81

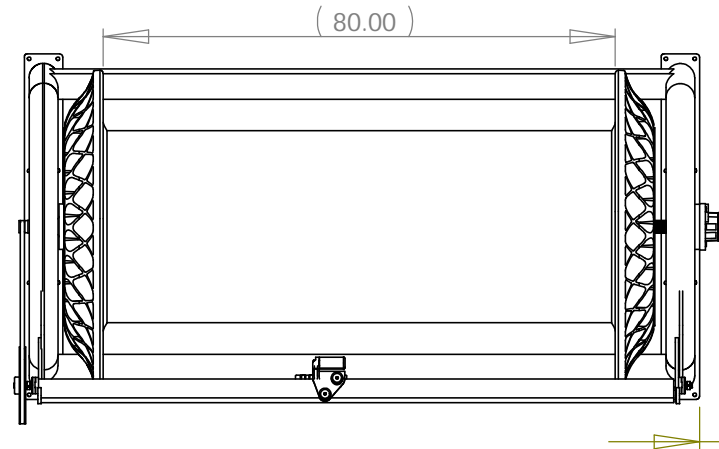
[1242.379]
Ø48.91

[1346.200]
53.00



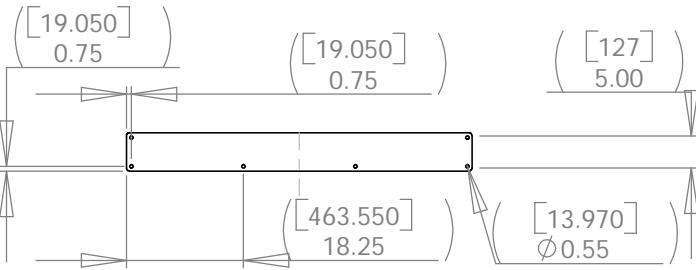
[2802.482]
110.33

[2679.700]
105.50



(80.00)

[114.300]
4.50



[19.050]
0.75

[19.050]
0.75

[127]
5.00

[463.550]
18.25

[13.970]
Ø0.55

ITEM NO.	PART OR IDENTIFYING NO.	NOMENCLATURE OR DESCRIPTION	MATERIAL SPECIFICATION	QTY REQD
PARTS LIST				
UNLESS OTHERWISE SPECIFIED DIMENSIONS ARE IN INCHES TOLERANCES ARE: FRACTIONS DECIMALS ANGLES + .XX+ .XX + 1 .XXX+ .XXX		CAD GENERATED DRAWING, DO NOT MANUALLY UPDATE	LINDGREN-PITMAN, INC.	48" x 80" SUPER SPOOL III
MATERIAL --		APPROVALS DATE		
FINISH --		DRAWN		
NEXT ASSY USED ON		CHECKED		
APPLICATION		RESP ENG		
DO NOT SCALE DRAWING		MFG ENG	SIZE DWG. NO.	REV.
		QUAL ENG	SCALE	CAD FILE:
			SHEET	OF

8 7 6 5 4 3 2 1