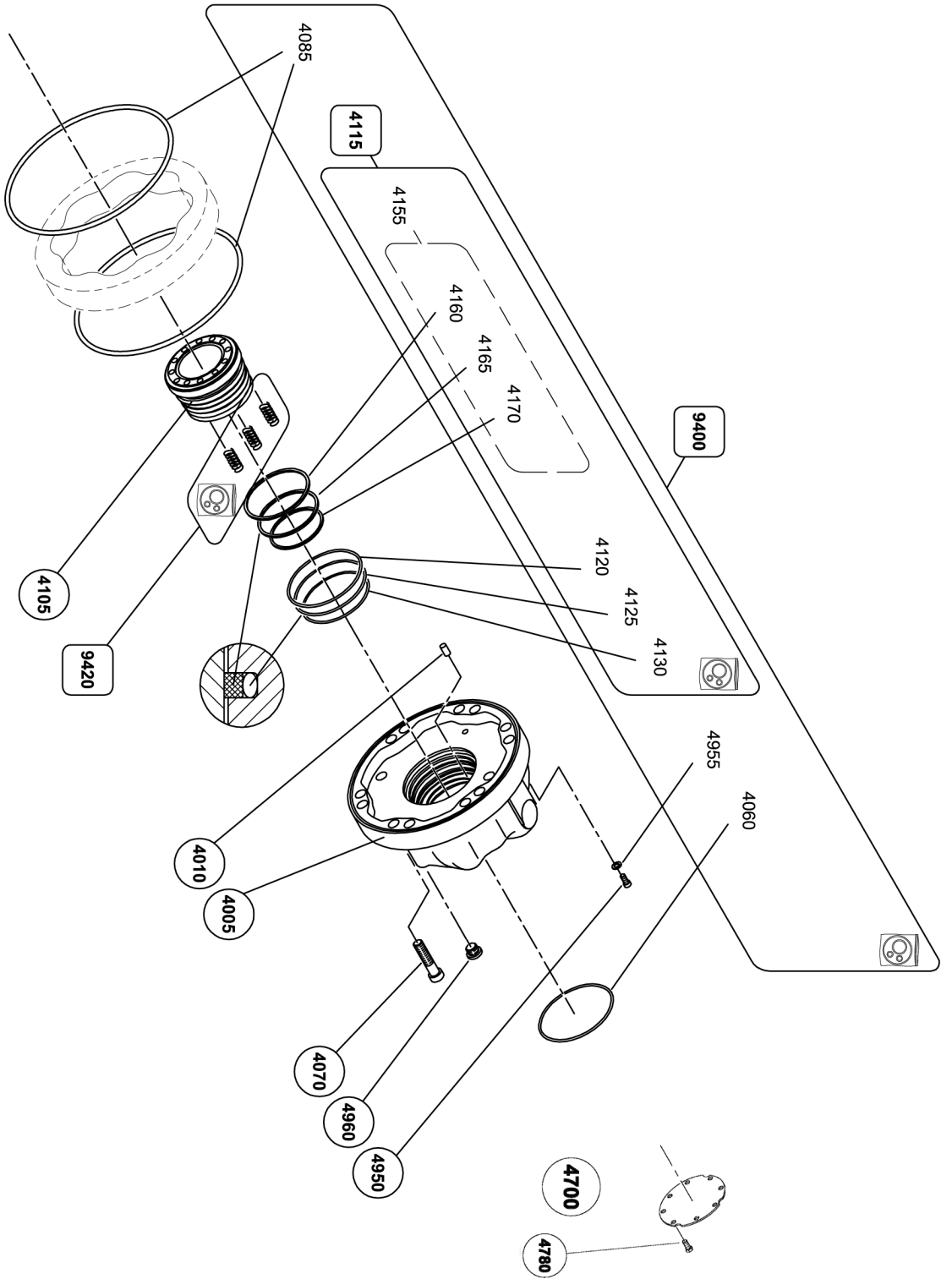
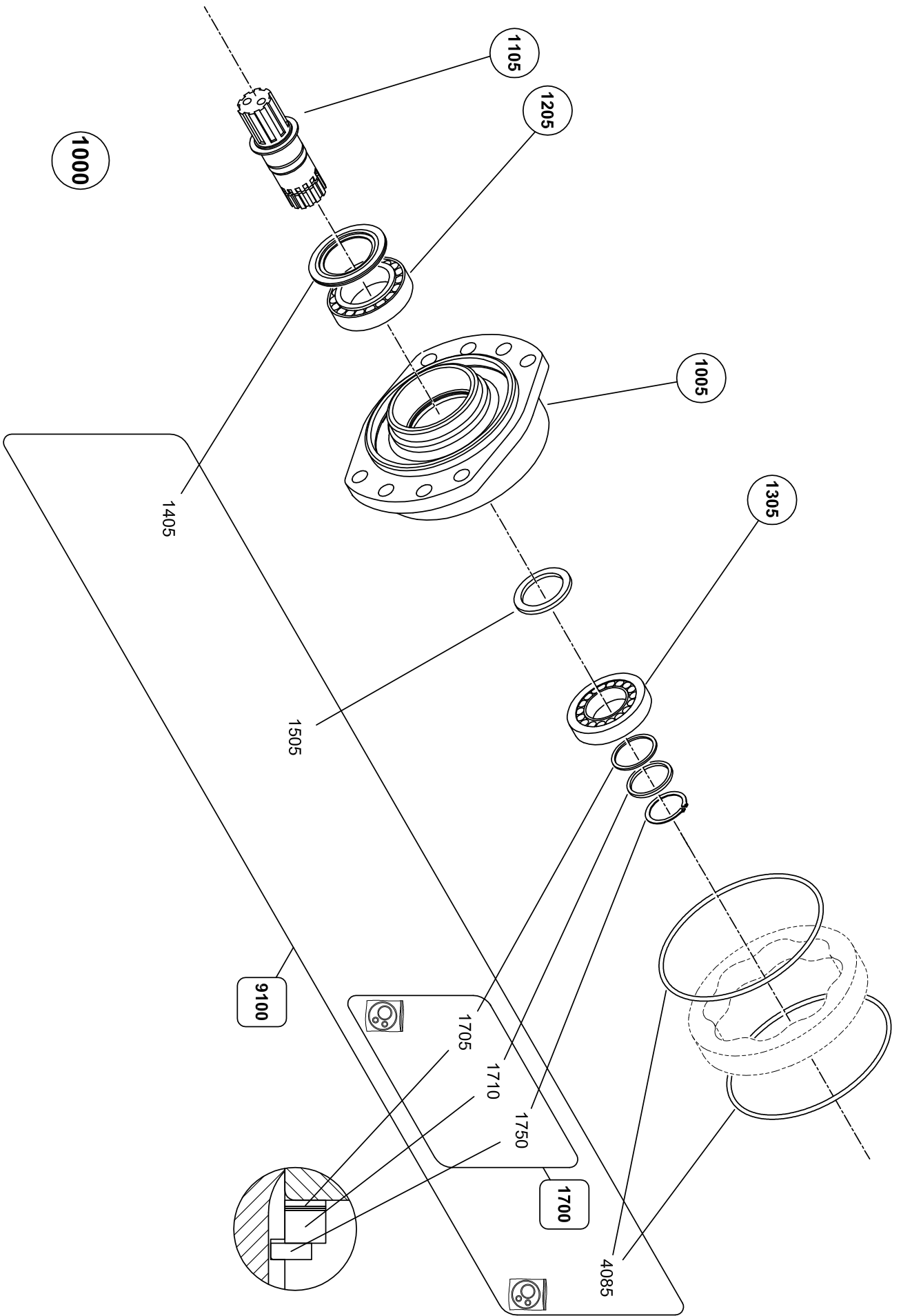


4000





**002743829X MSE02-0-113-A02-2A50-J000**

<b>3000</b>	<b>000250803M</b>	<b>1 B-BCYL-MSE02</b>	<b>3000-004</b>
3010	001150818P	8 B-PISTON-E-31	
9300	005649639M	1 POCLETTE LUNAMBULES E02	
<b>3505</b>	<b>001130261U</b>	<b>1 CAME-MSE02-166+166-FG</b>	
<b>4000</b>	<b>000250838A</b>	<b>1 B-CVM-MSE02-113-DRDB-6V</b>	<b>4000-001</b>
4005	000750245J	1 CVM-MSE02-1C-GG-DR-6V	
4010	000036052M	1 GOUPILLE CANNELEE 6X18 SPEC	
4070	001732955W	6 SCREW-CHC-M12-60-CL12.9	
4105	000930255W	1 GLACE-MSE02-1C-STAMP	
4960	001437456C	1 PLUG-CHC-17G-NBR	
9400	A20174D	KITSAV-CV-REP-MS02-E02-6V	
9420	A18798H	KITSAV-COMPR-SPRING-4.5-X	
<b>4700</b>	<b>000250861A</b>	<b>1 B-LOCK-PLATE-A02-1C</b>	<b>4700-006</b>
4780	000533831B	8 VIS H M10X16 CL 8.8	
<b>1000</b>	<b>001350890J</b>	<b>1 B-PAL-M-MSE02-2A50-TD-6V</b>	<b>1000-017</b>
1005	002846160C	1 SUP-PAL-M-MSE02-6V	
1105	001730092K	1 ARB-M-MSE02-DINM2Z24-TD	
1205	A07547D	1 TAPER-BEARING-33110-C1	
1305	A05291B	1 TAPER-BEARING-31308-C1	
9100	A20164S	KITSAV-PAL-REP-S02-E2-6V	
<b>9350</b>	<b>A10484V</b>	<b>KITSAV-MOTOR-OPEN-MSE02-6V</b>	
<b>9000</b>	<b>005949601H</b>	<b>KITSAV-COMPLETE-SEAL-MS02</b>	