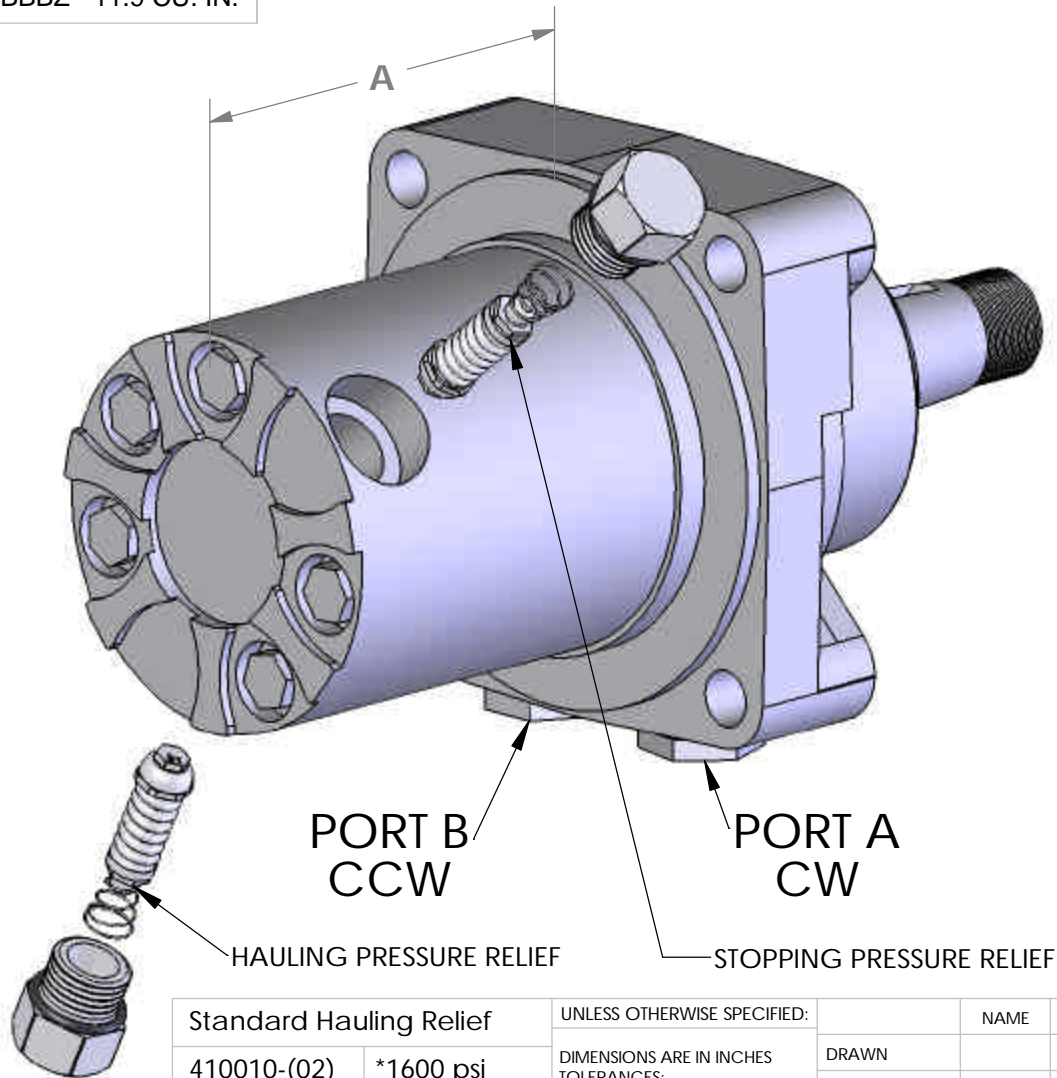


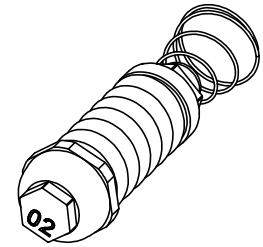
DIMENSION "A"

4-3/8" TJ0130US080BBBZ 8.0 CU. IN.

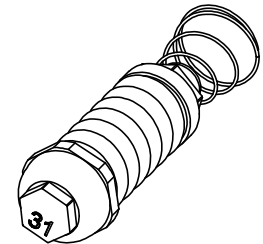
4-7/8" TJ0195US080BBBZ 11.9 CU. IN.



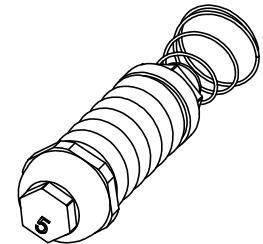
410010-(02) - 1600 psi
Standard Hauling Relief



410010-(31) - 1200 psi
(Optional Hauling Relief)



410010-(5) - 2030 psi
Standard Stopping Relief



Standard Hauling Relief		UNLESS OTHERWISE SPECIFIED: DIMENSIONS ARE IN INCHES TOLERANCES: FRACTIONAL ± ANGULAR: MACH ± BEND ± TWO PLACE DECIMAL ± THREE PLACE DECIMAL ±	DRAWN	NAME	DATE
410010-(02)	*1600 psi				
Standard Stopping Relief		INTERPRET GEOMETRIC TOLERANCING PER:	CHECKED	ENG APPR.	
410010-(5)	*2030 psi				
Optional Hauling Relief		MATERIAL	Q.A.	MFG APPR.	
410010-(31)	1200 psi				
NEXT ASSY	USED ON	FINISH	COMMENTS:		
APPLICATION		DO NOT SCALE DRAWING			

LP LINDGREN-PITMAN, INC.

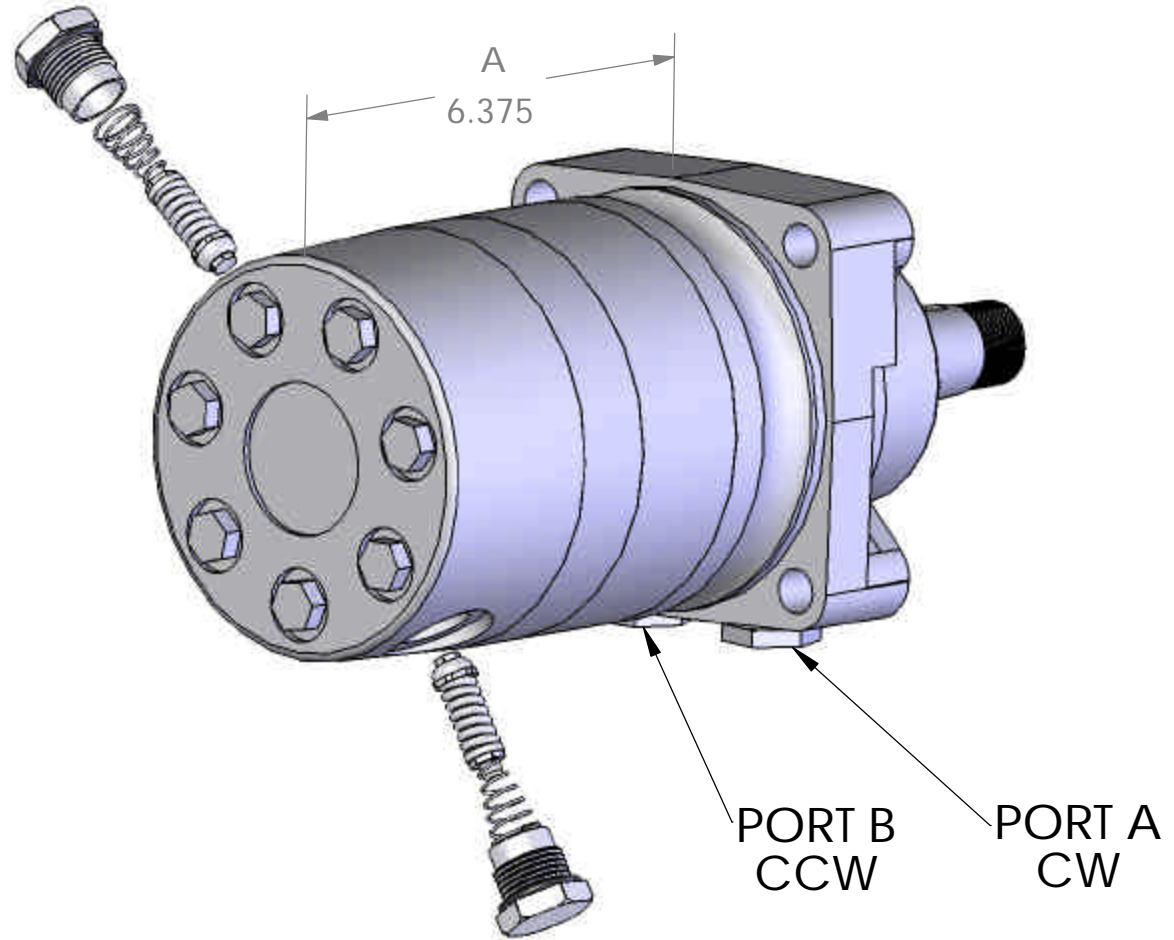
TITLE:
TJ0130US080BBBZ - 8.0 CU. IN.
TJ0195US080BBBZ - 11.9 CU. IN.

SIZE A	DWG. NO. Parker(Ross)TJ-Relief	REV 1008
SCALE: 1:1	WEIGHT:	SHEET 1 OF 2


PROPRIETARY AND CONFIDENTIAL
THE INFORMATION CONTAINED IN THIS DRAWING IS THE SOLE PROPERTY OF LINDGREN-PITMAN, INC. ANY REPRODUCTION IN PART OR AS A WHOLE WITHOUT THE WRITTEN PERMISSION OF LINDGREN-PITMAN, INC. IS PROHIBITED.

DIMENSION "A"

6-3/8" TF0360US080BBBG 22.2 CU. IN.



PROPRIETARY AND CONFIDENTIAL
 THE INFORMATION CONTAINED IN THIS DRAWING IS THE SOLE PROPERTY OF LINDGREN-PITMAN, INC. ANY REPRODUCTION IN PART OR AS A WHOLE WITHOUT THE WRITTEN PERMISSION OF LINDGREN-PITMAN, INC. IS PROHIBITED.

		UNLESS OTHERWISE SPECIFIED:		NAME	DATE		LINDGREN-PITMAN, INC.	
		DIMENSIONS ARE IN INCHES TOLERANCES: FRACTIONAL ± ANGULAR: MACH ± BEND ± TWO PLACE DECIMAL ± THREE PLACE DECIMAL ±	DRAWN				TITLE:	TF0360US080BBBG 22.2 CU. IN.
		INTERPRET GEOMETRIC TOLERANCING PER:	CHECKED			SIZE A	DWG. NO.	REV
		MATERIAL	ENG APPR.				Parker(Ross)TJ-Relief	
		FINISH	MFG APPR.				SCALE: 1:4	WEIGHT:
NEXT ASSY	USED ON		Q.A.			COMMENTS: BOTH RELIEFS 1551 P.S.I.		
APPLICATION		DO NOT SCALE DRAWING						