

ITEM NO.	PART NO.	Description	QTY.
1	LS5-100-001-00	LS-5 Main Frame Only	1
2	LS5-100-002-00	LS-5 Hyd. Motor Only	1
3	LS5-100-003-00	LS-5 Main Wheel 12"	1
4	LS5-100-004-00	LS-5 Drive Element (Rubber)	1
7	LS5-100-007-00	LS-5 Hourglass Roller	5
9	LS5-100-009-00	LS-5 Hyd. Manifold w/ Fittings	1
10	LS5-100-010-00	LS-5 Speed Readout Assy.	1
11	LS5-100-011-00	LS-5 Idler Roller Assy.	2
14	LS5-100-014-00	LS-5 Trantorque Assy.	1
15	LS5-100-015-00	LS-5 Exit Chute	1
16	LS5-100-016-00	LS-5 V-Roller Assy.	1
17	LS5-100-017-00	LS-5 Entrance Guide Roller	2
18	LS5-100-018-00	LS5 Entrance Roller Spacer	2

**NOTE:
SEE PAGE 7 FOR
TRANTORQUE RETAINER
WASHER**

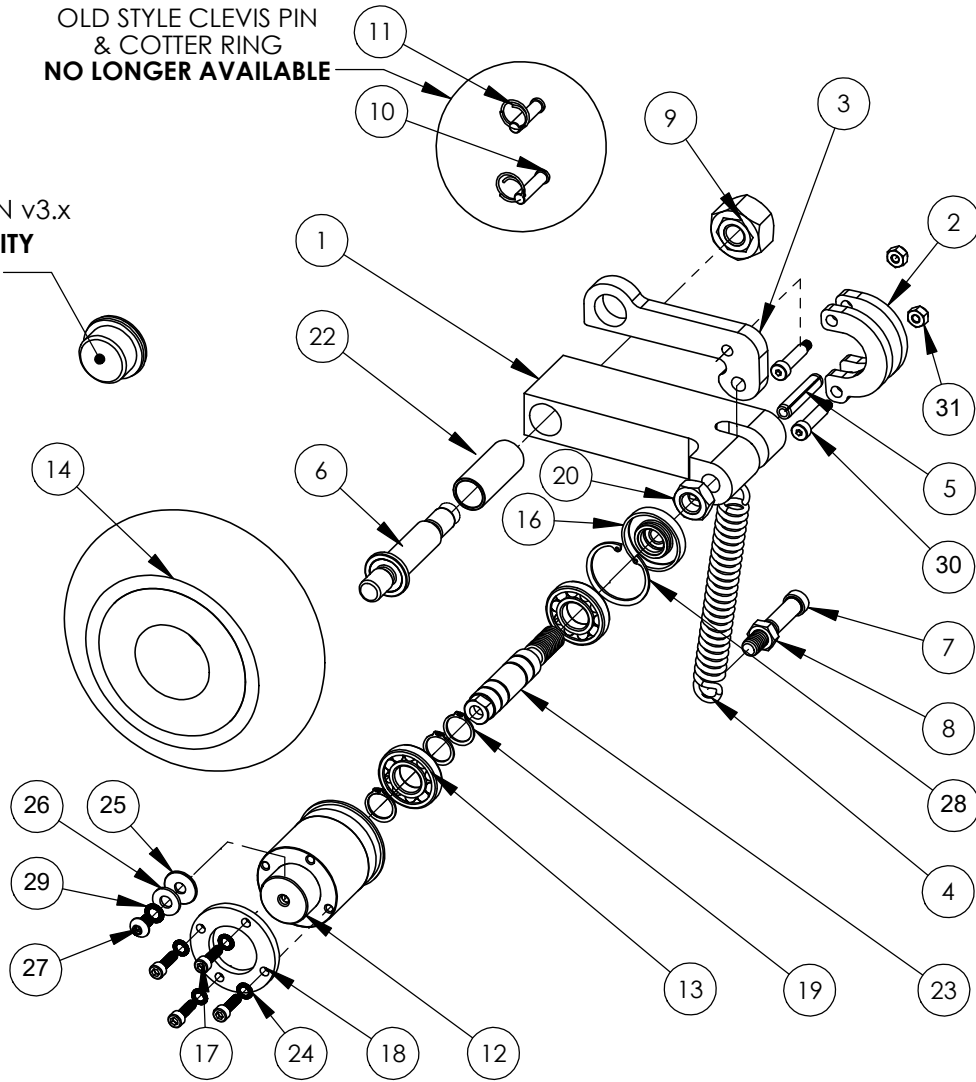
 **LINDGREN-PITMAN, INC.**

LS-5 MAJOR ASSY. PARTS

SIZE **A** DWG. NO. REV.
SCALE:1:1 WEIGHT: SHEET 1 OF 1

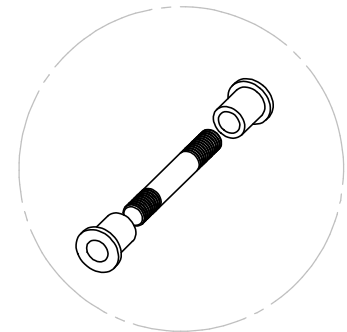
OLD STYLE CLEVIS PIN
& COTTER RING
NO LONGER AVAILABLE

NO LONGER USED ON v3.x
LIMITED AVAILABILITY
REF No's 15 & 21



LS-5 IDLER ROLLER PARTS (v3.2)

REF:	PART NO	DESCRIPTION	QTY.
1	LS5-200-001-00	LS-5 Idler Bracket	1
2	LS5-200-002-00	LS-5 Idler C-Link	2
3	LS5-200-003-00	LS-5 Idler Release Handle	1
4	LS5-200-004-00	LS-5 Idler Tension Spring	1
5	LS5-200-005-00	LS-5 Spring Dowl 5/16" Stainless	1
6	LS5-200-006-02	LS-5 Upper Idler Arm Stud 17-4 PH 1/2-13	1
7	LS5-200-007-00	LS-5 Spring Anchor 1/4-20 x 2-1/4	1
8	LS5-200-008-00	LS-5 Jam Nut, Spring Anchor	1
9	LS5-200-009-00	LS-5 Elastic Stop Nut 1/2-13 SS	1
10	LS5-200-010-00	LS-5 Clevis Pin 1/4" x 1" SS - NLA	2
11	LS5-200-011-00	LS-5 Cotter Ring 5/8" OD 1/4" Shaft - NLA	2
12	LS5-200-012-01	LS-5 Idler Bearing Carrier v3	1
13	LS5-200-013-00	LS-5 Idler/V-Roller Bearing	2
14	LS5-200-014-00	LS5 Upper Idler Roller	2
15	LS5-200-015-00	LS-5 Cap, Idler Bearing Carrier	2
16	LS5-200-016-00	LS-5 Seal, Idler Bearing Carrier	1
17	LS5-200-017-00	LS-5 Idler Socket Hd. Cap Screw 10-32 x 1/2"	4
18	LS5-200-018-00	LS-5 Bearing Pack Cap Retainer	1
19	LS5-200-019-00	LS-5 Ext. Snap Ring 0.625 ID	3
20	LS5-200-020-00	LS5 Idler Hex Nut 1/2-13 SS	1
21	LS5-200-021-00	LS-5 Bearing Pack O-ring	1
22	LS5-200-022-10	LS-5 Idler Bracket Bushing - VESCONITE (1x)	1
23	LS5-200-023-00	LS5 V-Roller / Idler Axle	4
24	LS5-200-024-01	LS5 Retainer Ring Safety Washer (SS) 1/4	1
25	LS5-200-025-00	LS5 Seal Washer 1/4 (Rubber)	1
26	LS5-200-026-00	LS5 Flat Washer 1/4 (SS)	1
27	LS5-200-027-00	LS5 Socket Button Head Screw 1/4-28 X 3/8	1
28	LS5-200-028-00	LS5 Internal Snap Ring N5000-137	1
29	LS5-200-029-00	LS5 Retainer Ring Safety Washer (SS) 3/16	1
30	LS5-200-030-01	LS5 Shoulder Bolt 1/4 x 7/8 x 10-32	2
31	LS5-200-031-01	LS5 10-32 ESNA Nut	2



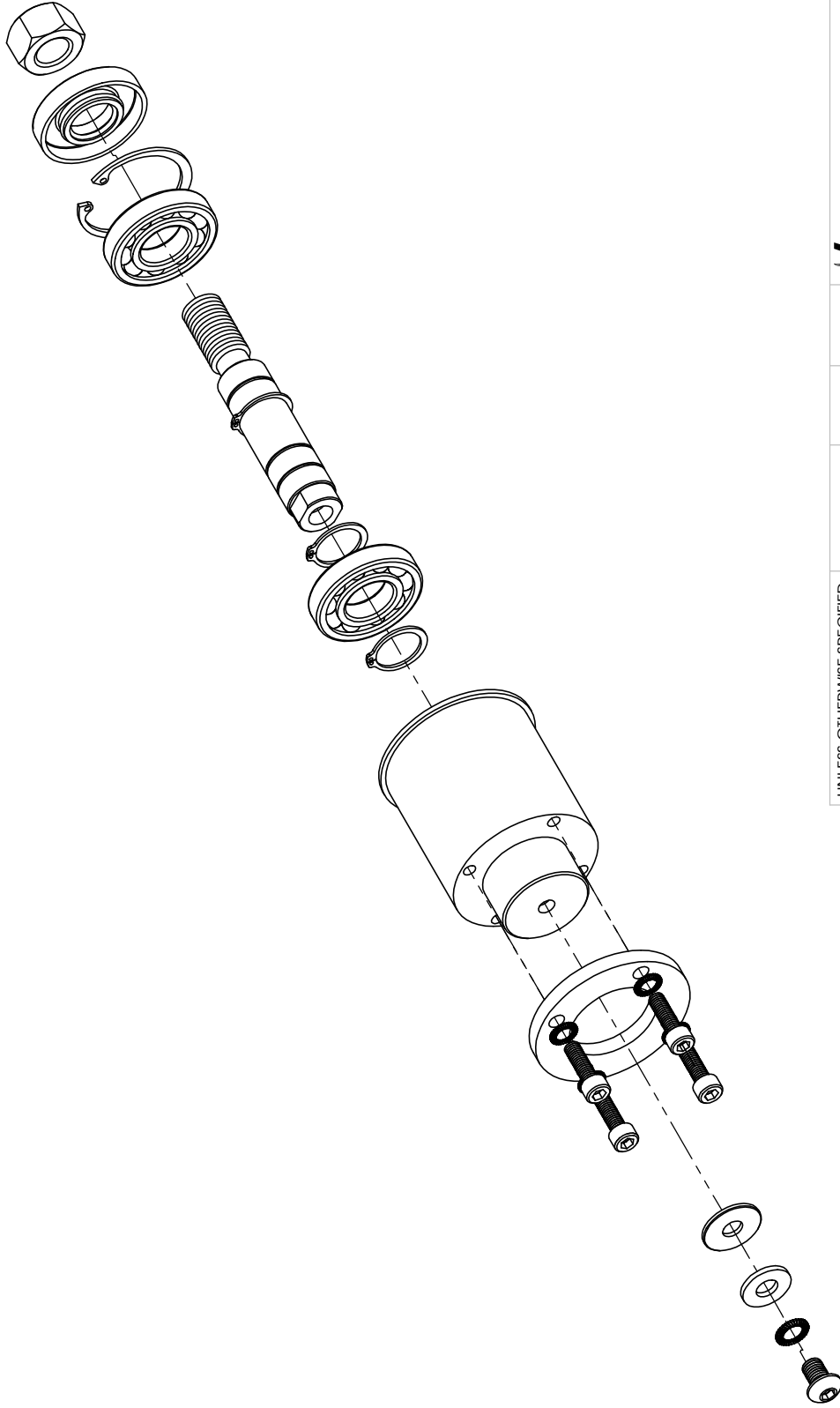
NO LONGER USED ON v3.2
USE REF: 6 & 22

LP LINDGREN-PITMAN, INC.

LS-5 Idler Roller Assy.

Thursday, July 28, 2022 2:10:01 PM

SIZE A	DWG. NO. LS5-IdlerRoller_v3.2	REV. 3112020
------------------	----------------------------------	-----------------



LINDGREN-PITMAN, INC.

DATE

NAME

DRAWN
CHECKED
ENG APPR.
MFG APPR.
Q.A.
COMMENTS:

TITLE:

LS5-200-KIT-03

SIZE DWG. NO. REV

A LS5-200-KIT-03

SCALE: 1:2 WEIGHT:

SHEET 1 OF 1

UNLESS OTHERWISE SPECIFIED:

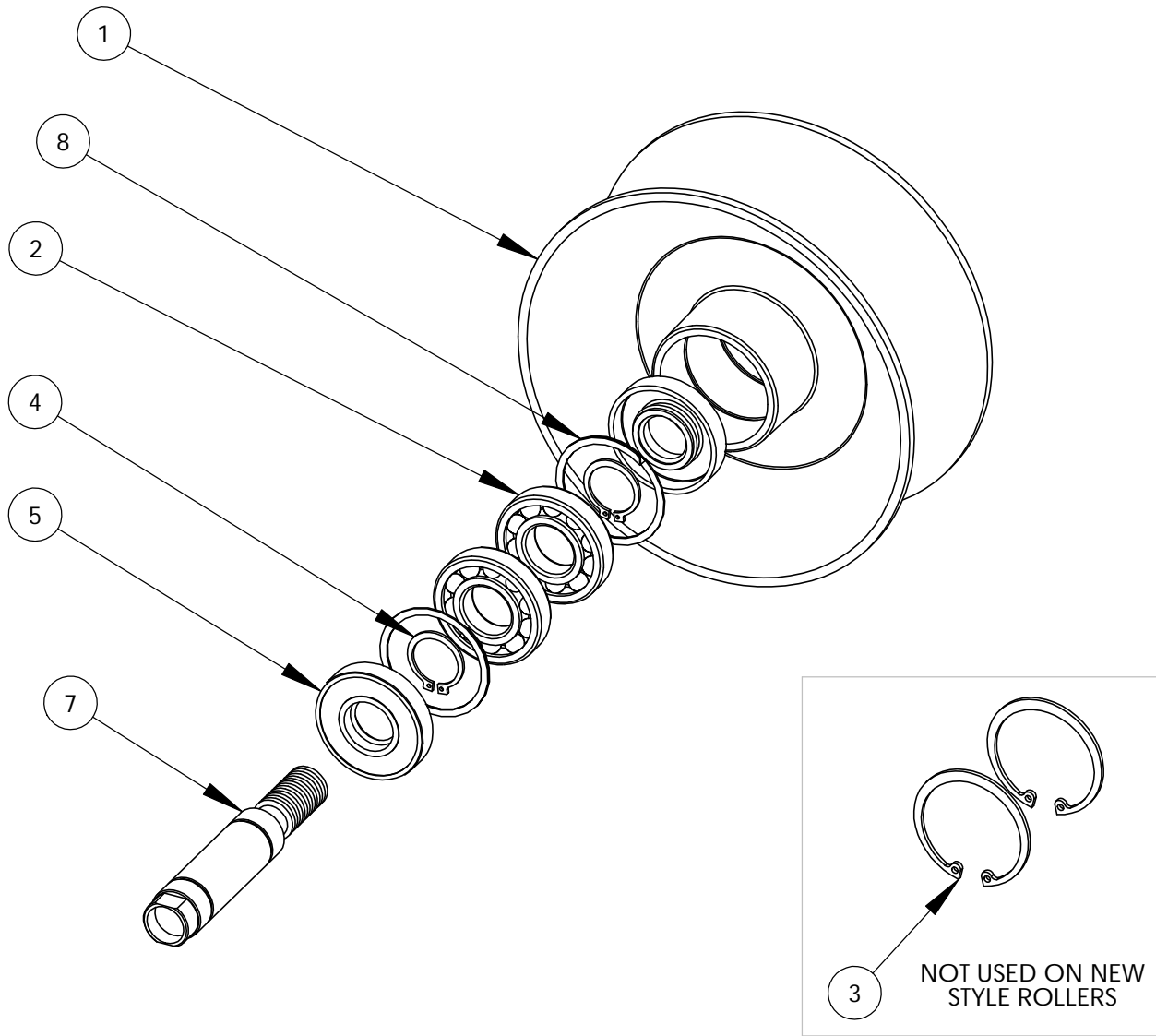
DIMENSIONS ARE IN INCHES
TOLERANCES:
FRACTIONAL ±
ANGULAR: MACH ± BEND ±
TWO PLACE DECIMAL ±
THREE PLACE DECIMAL ±

INTERPRET GEOMETRIC
TOLERANCING PER:
MATERIAL

FINISH

DO NOT SCALE DRAWING

PROPRIETARY AND CONFIDENTIAL
THE INFORMATION CONTAINED IN THIS
DRAWING IS THE SOLE PROPERTY OF
LINDGREN-PITMAN, INC. ANY
REPRODUCTION IN PART OR AS A WHOLE
WITHOUT THE WRITTEN PERMISSION OF
LINDGREN-PITMAN, INC. IS PROHIBITED.



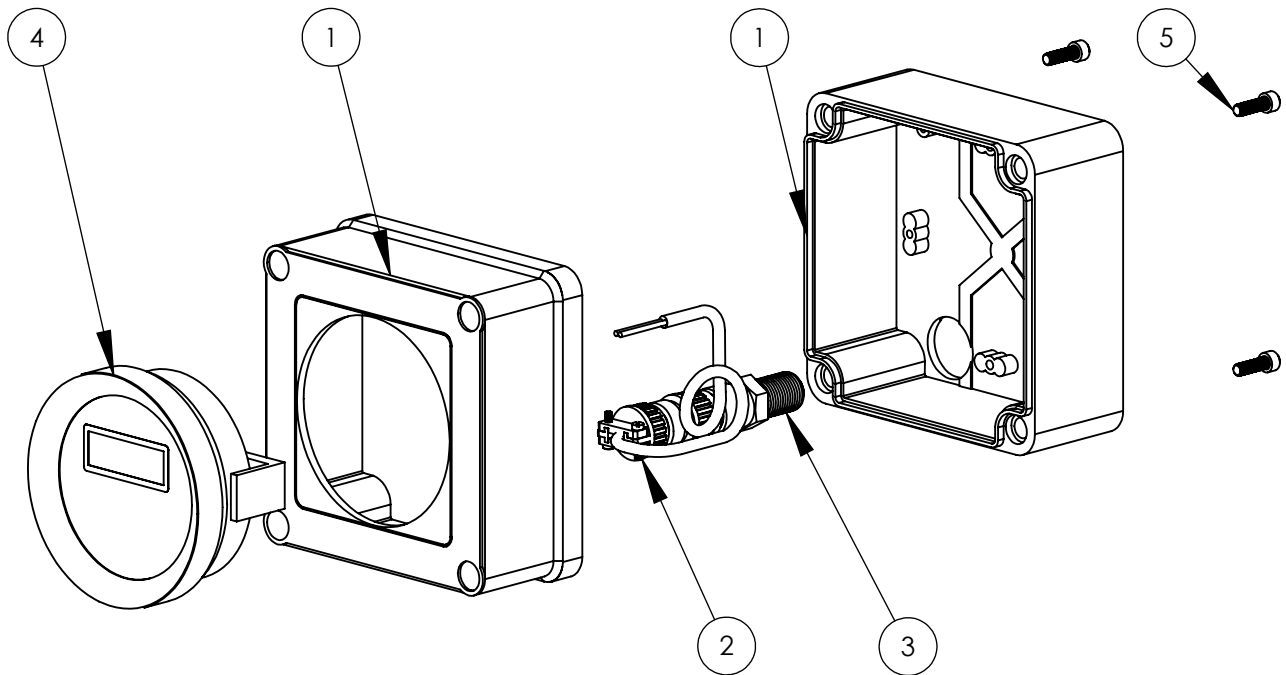
ITEM NO.	PART NO.	Description	QTY
1	LS5-300-001-00	LS-5 V-Roller, SS	1
2	LS5-200-013-00	LS-5 Idler/V-Roller Bearing	2
3	LS5-300-003-00	LS-5 V-Roller Int. Snap Ring (old style only)	2
4	LS5-300-004-00	LS-5 V-Roller Ext. Snap Ring	2
5	LS5-200-016-00	LS-5 Seal, Idler Bearing Carrier	2
7	LS5-200-023-00	LS5 V-Roller / Idler Axle	1
8	LS5-300-005-00	LS-5 V-Roller Spiral Ring Spacer	2

LP LINDGREN-PITMAN, INC.

LS-5 V-ROLLER

0908

SIZE A	DWG. NO.	REV.
SCALE:1:1	WEIGHT:	SHEET 1 OF 1



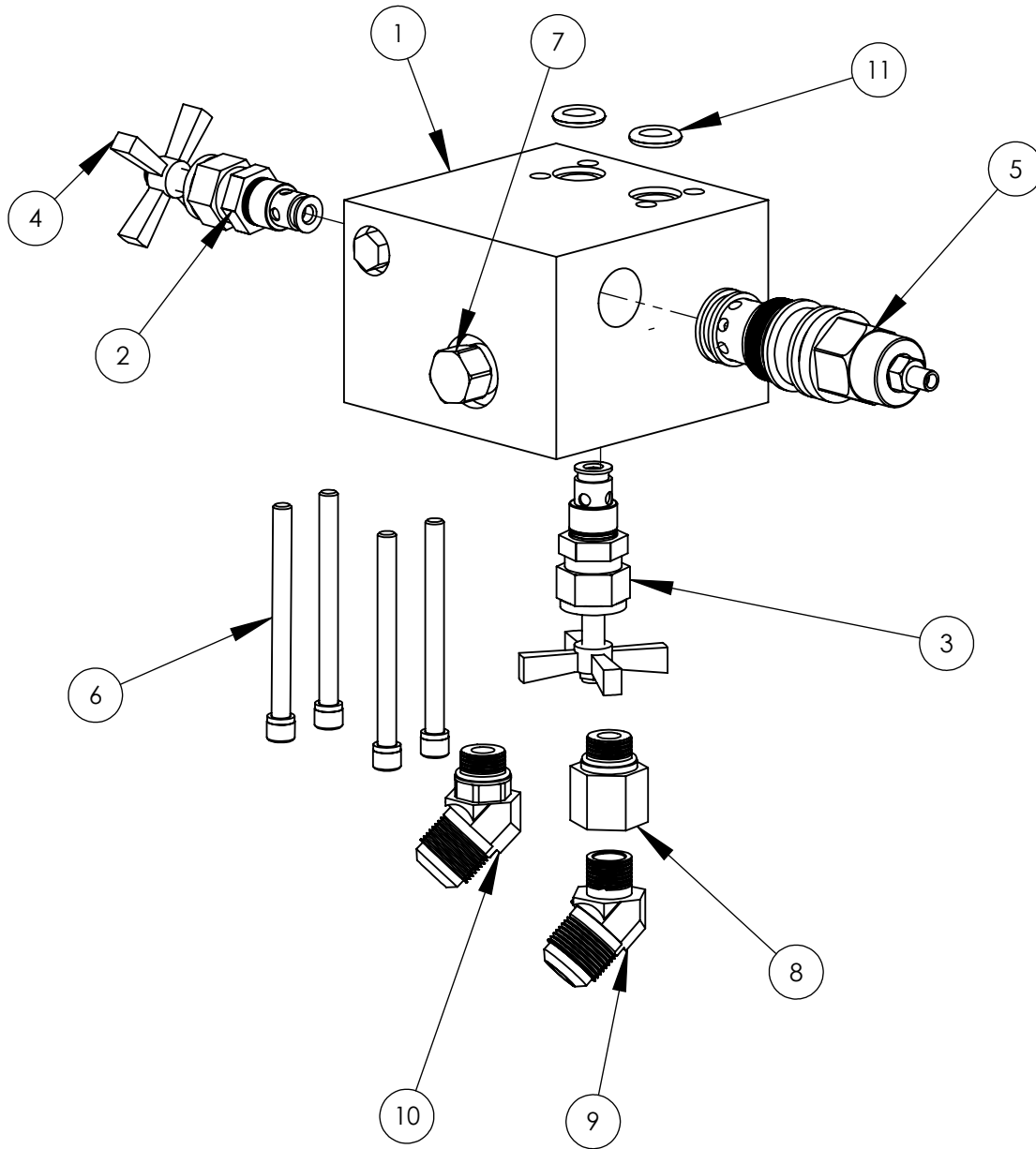
ITEM NO.	PART NO.	DESCRIPTION	Default/QTY.
1	LS5-400-001-00	LS-5 Speed Read Enclosure	1
2	LS5-400-002-00	LS-5 Speed Cable	1
3	LS5-400-003-00	LS-5 Speed Pickup	1
4	LS5-400-004-00	LS-5 Speed Gauge	1
5	LS5-400-005-00	LS-5 Speed SHCS 10-32	4

LP LINDGREN-PITMAN, INC.

LS-5 SPEED READOUT PARTS

SIZE: **A** DWG. NO. REV.

SCALE: 1:1 WEIGHT: SHEET 1 OF 1

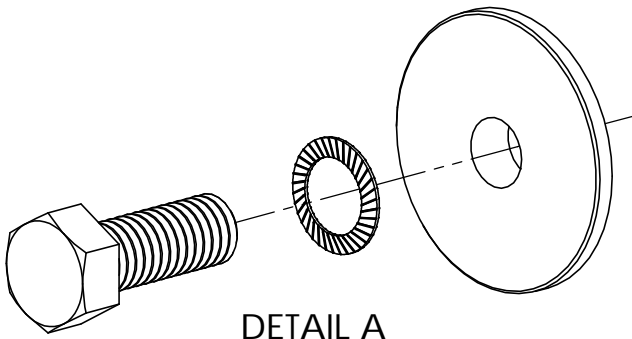
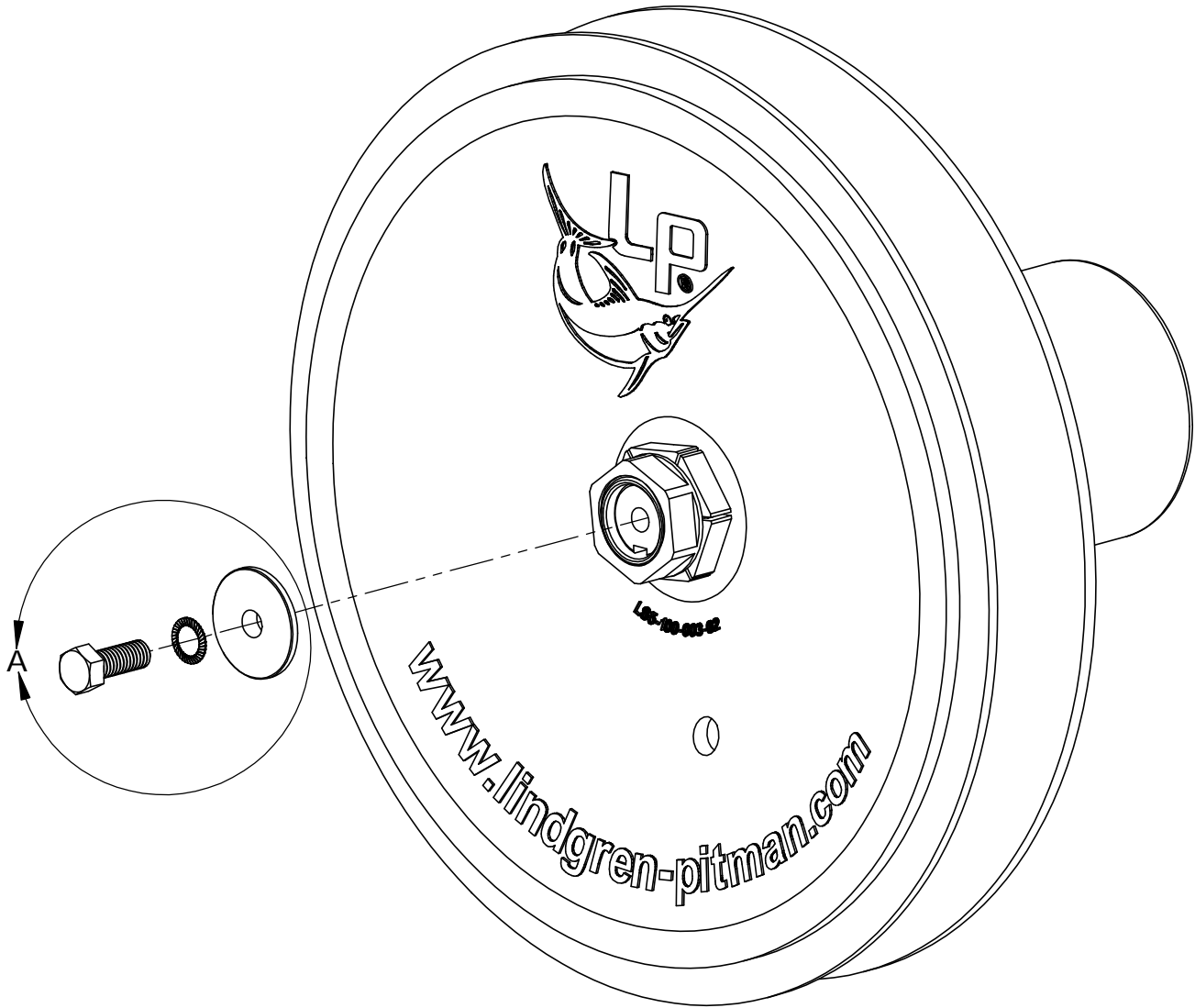


ITEM NO.	PART NO.	DESCRIPTION	QTY.
1	LS5-500-001-00	LS-5 Hyd. Manifold (Bare)	1
2	LS5-500-002-00	LS-5 Speed Control Valve	1
3	LS5-500-003-00	LS-5 On-Off Valve	1
4	LS5-500-004-00	LS-5 Speed/On-Off Handle	2
5	LS5-500-005-00	RVBG LCN Cartridge LS-5	1
6	LS5-500-006-00	LS-5 Manifold Mounting Bolts	4
7	LS5-500-007-00	XFOA-XXN Cartridge LS-5	1
8	LS5-500-008-00	LS-5 O-ring to Pipe Bushing	1
9	LS5-500-009-00	LS-5 Pipe to JIC 45d	1
10	LS5-500-010-00	LS-5 O-ring to JIC 45d	1
11	LS5-500-011-00	LS-5 O-ring Man. to Motor	2




LINDGREN-PITMAN, INC.

LS-5 HYD. MANIFOLD PARTS



DETAIL A

PROPRIETARY AND CONFIDENTIAL
 THE INFORMATION CONTAINED IN THIS DRAWING IS THE SOLE PROPERTY OF LINDGREN-PITMAN, INC. ANY REPRODUCTION IN PART OR AS A WHOLE WITHOUT THE WRITTEN PERMISSION OF LINDGREN-PITMAN, INC. IS PROHIBITED.

		DIMENSIONS ARE IN INCHES TOLERANCES: FRACTIONAL ± ANGULAR: MACH ± BEND ± TWO PLACE DECIMAL ± THREE PLACE DECIMAL ±		NAME	DATE	 LINDGREN-PITMAN, INC. TRANTORQUE RETAINER
		MATERIAL	DRAWN			
		FINISH	CHECKED			
NEXT ASSY	USED ON		ENG APPR.			
APPLICATION		DO NOT SCALE DRAWING	MFG APPR.			
			Q.A.			
			COMMENTS:			
			SIZE	DWG. NO.	REV.	
			A	TranTorqueRetainerWasher		
			SCALE:1:1	WEIGHT:	SHEET 1 OF 1	