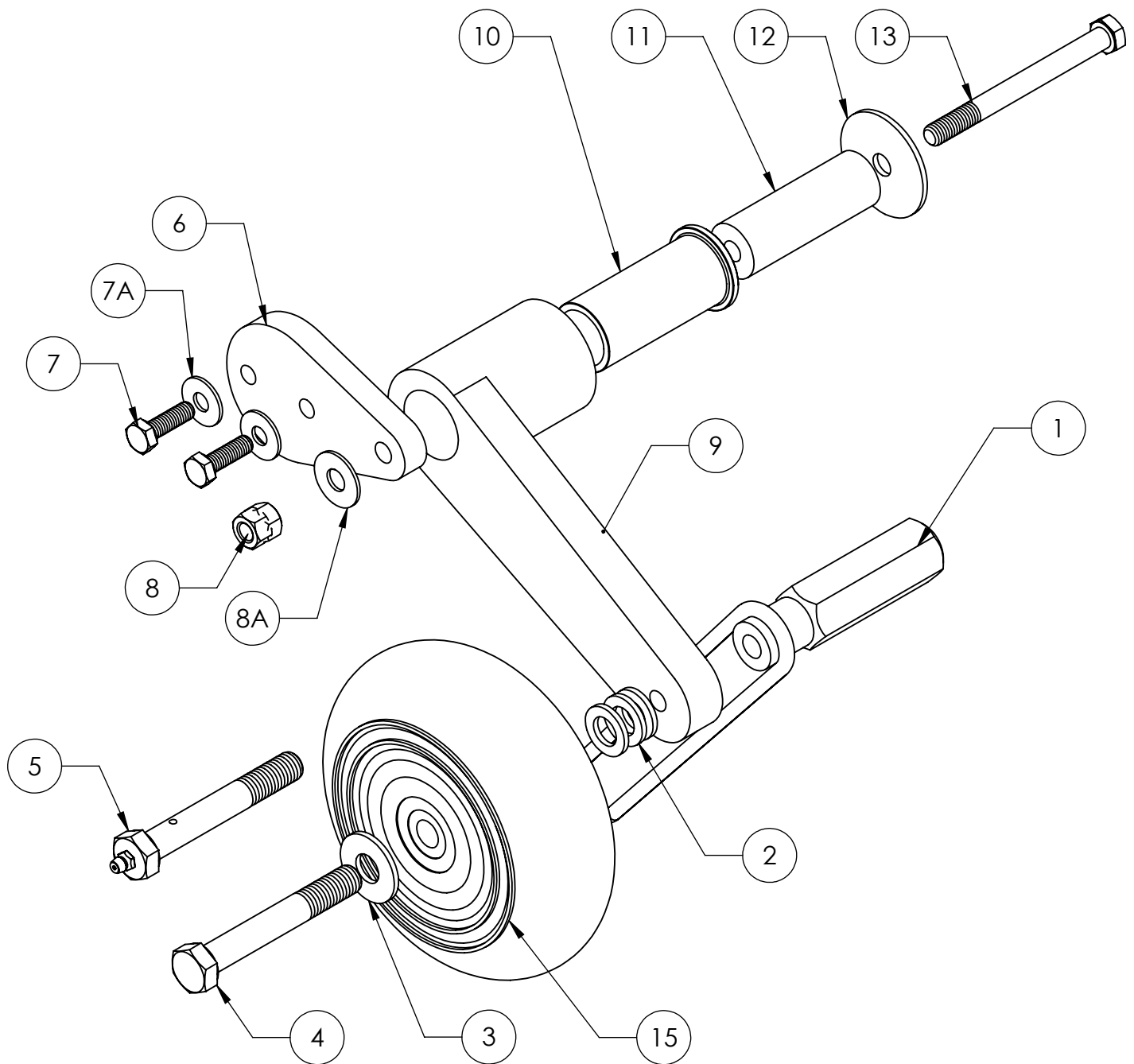


REF	ITEM ID	DESC.
1	LS4-MAIN-12	12" MAIN WHEEL
2	LS3-MOTOR	HYD. MOTOR
3	LS4-EXIT-PLT	EXIT GUIDE PLATE
4	LS4-EXIT-SHIELD	LEXAN EXIT SHIELD
5	LS3-V-RLLR-6	6" V-ROLLER
6	LS3-HOURGLASS	HOURGLASS ROLLER (5x)
7	LS3-TRAN-TORQ	TRAN-TORQUE
8	LS4-ELEMENT	12" DRIVE ELEMENT
9	LS3-ENT-RLLR	ENTRANCE GUIDE ROLLER (2x)
10	LS-AXLE-BOLT	V-ROLLER AXLE BOLT 1/2"
11	BEARING-R8	BEARING, V-GROOVE ROLLER (2x)

**LP** LINDGREN-PITMAN, INC.

LS4 LINE SETTER (SHOOTER)

SIZE	DWG. NO.	REV.
<b>A</b>		
SCALE:1:2	WEIGHT:	SHEET 1 OF 1

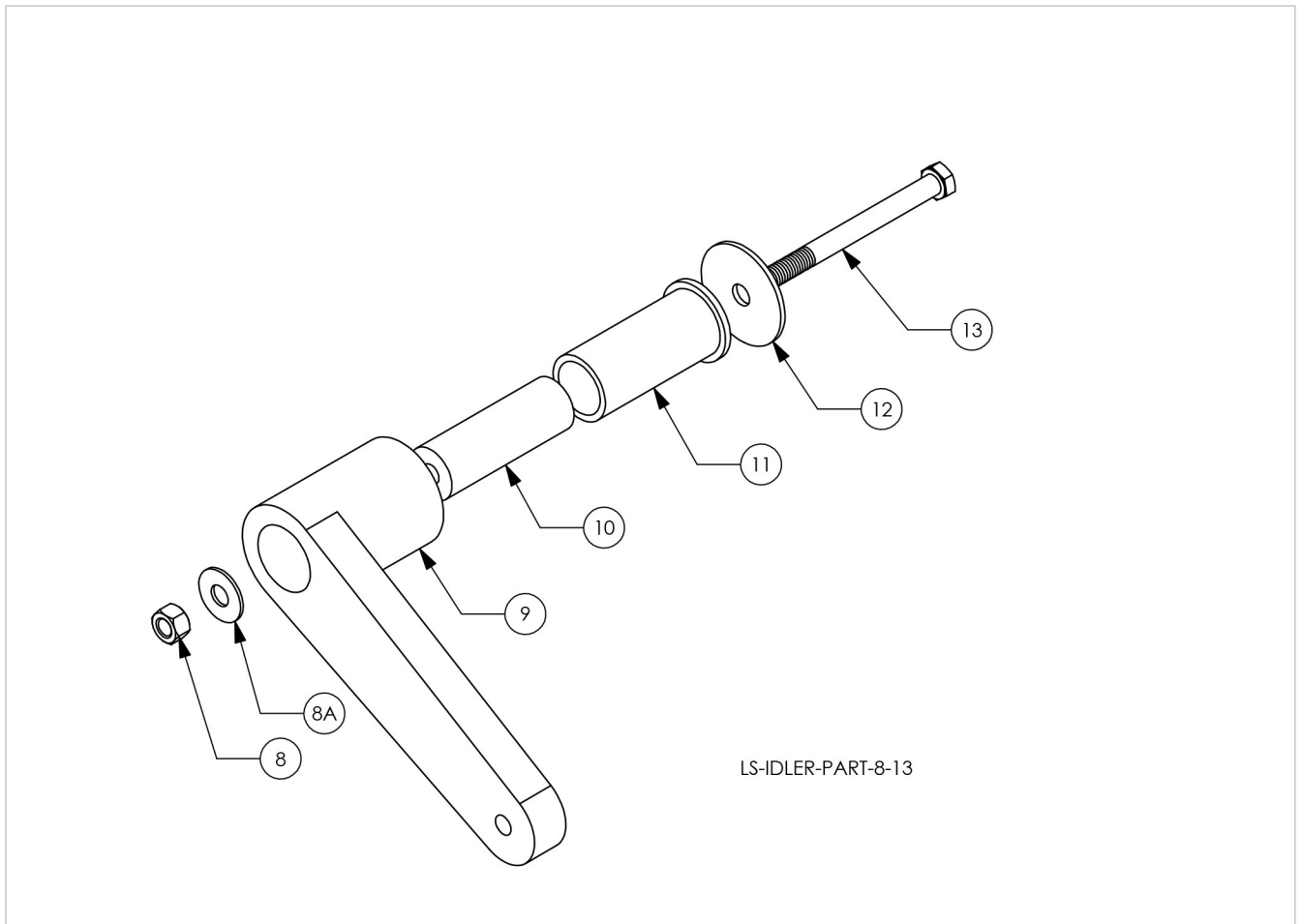
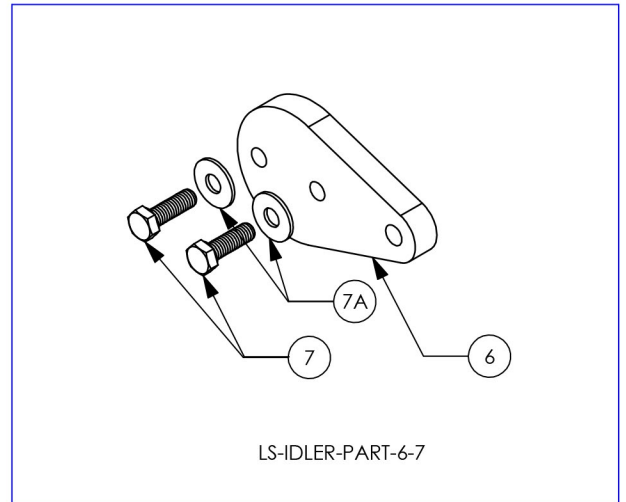
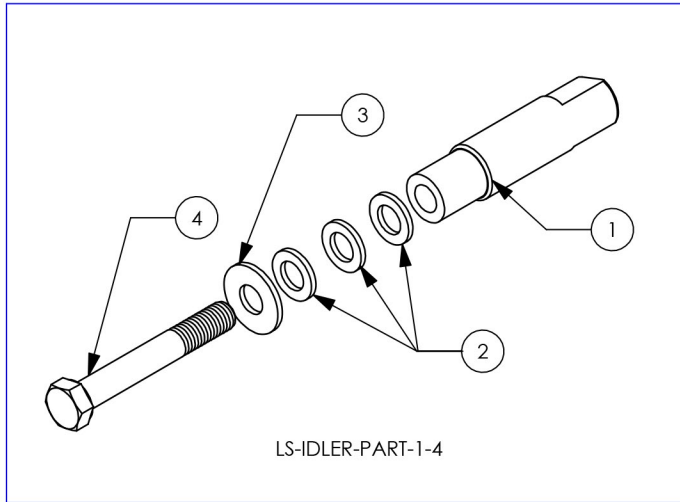


REF	PART NUMBER	DESCRIPTION
1	LS3-HANDLE	# 1, LS-3 / LS4 Idler Arm Handle
2	LS3-FW-AN-#2	#2, LS-3/LS-4 1/2 AN Flat Washer .515 x .875 x 0.062
3	LS3-FW-STD-#3	#3, LS-3/LS-4 1/2 Flat Washer .532 x 1.25 x 0.062
4	LS-AXLE-BOLT-UP	#4, LS3/LS4 Upper Idler Axle Bolt 1/2-13x3/1/2
5	LS-AXLE-BOLT-UP-ZERK	#5, <b>(Optional)</b> Upper Idler Bolt with Zerk Fitting
6	6 LS-IDLER-MNT	#6, Upper Idler Mounting Bracket Only
7	LS3-HEXB-#7	#7, LS-3 / LS4, 5/16-18 Hex Bolt x 1"
7A	LS3-FW-STD-#7A	#7A, LS-3/LS-4 5/16 Flat Washer
8	LS3-NUT-ESN-#8	#8, LS-3/LS-4 3/8-16 Nylock Nut
8A	LS3-FW-STD-#8A	#8A, LS-3/LS-4 3/8 Flat Washer .415 x .875 x 0.050
9	LS3-IDLER-ARM	#9, LS-3/LS-4 Idler Arm Only
10	LS3-IDLER-BUSH	#10, Upper Idler Arm Bushing, Delron, LS-3/LS-4
11	LS3-IDLER-SPACER-SS	#11, Upper Idler Arm Spacer, Stainless (1" OD x 2.925" LONG)
12	LS3-FW-FND-#12	#12, LS-3/LS-4 3/8 Fender Washer .410 x 1.5 x 0.050
13	LS3-HEXB-#13	#13, LS-3 / LS4, 3/8-16 Hex Bolt 4 4"
14	LS3-ORING	#14, Tension O'Rings (Idler), LS-3, LS-4
15	LS3-IDLER-RLLR	#15, Upper Idler Roller Assembly, LS-3, LS-4 (Wheel)

 **LINDGREN-PITMAN, INC.**

## LS3 / LS4 IDLER ARM ASSY

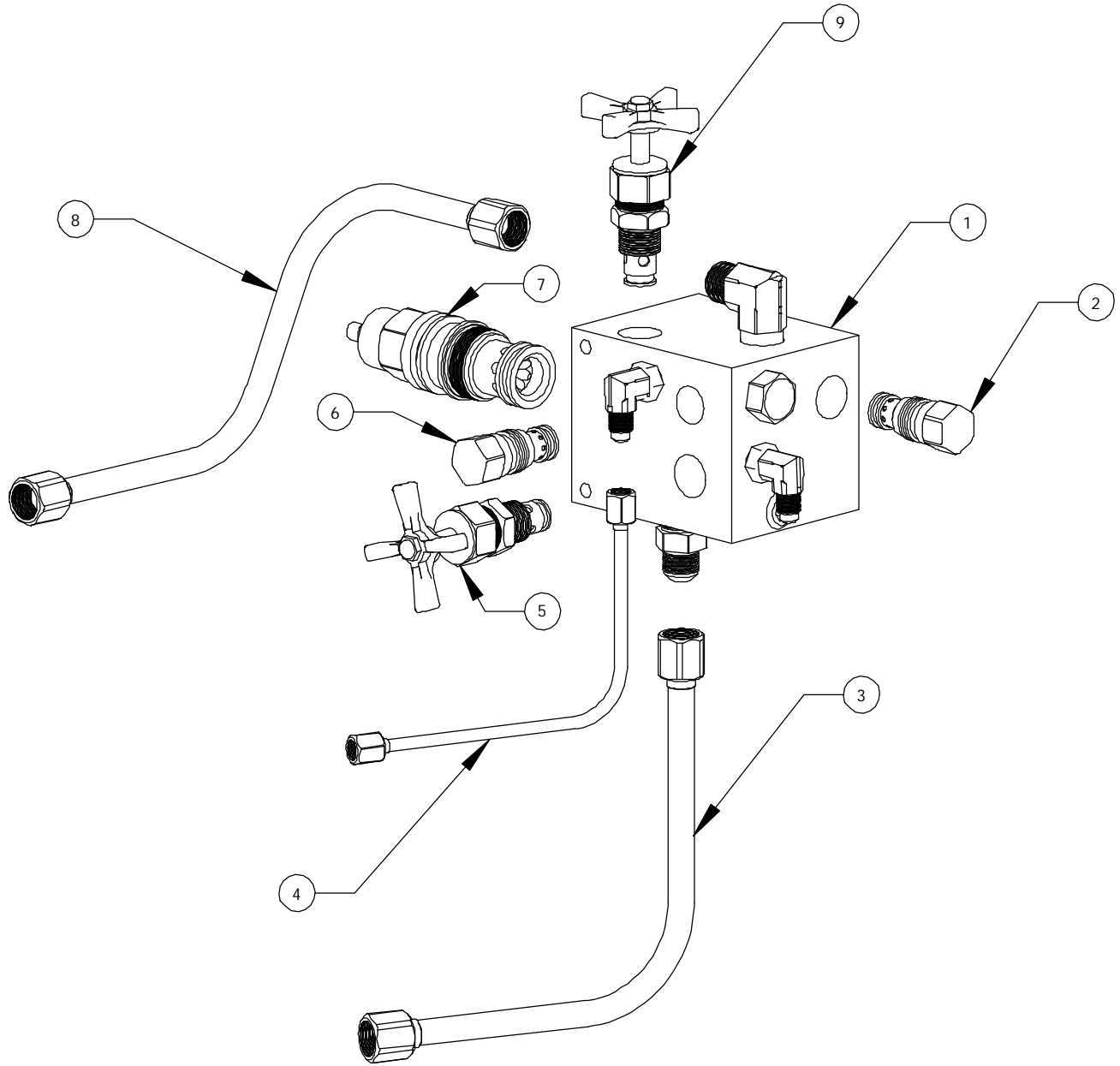
SIZE **A** DWG. NO. Thursday, September 02, 2021 1:00:50 PM REV.  
 L:\LineSetters\LS3-LS4\_Idler Arm.sldrw  
 SCALE:1:10 WEIGHT: SHEET 1 OF 1



**LP** LINDGREN-PITMAN, INC.

LS3 / LS4 IDLER ARM ASSY.

SIZE	DWG. NO.	REV.
<b>A</b>		
SCALE:1:2	WEIGHT:	SHEET 2 OF 2



REF	DESC.
1	MANIFOLD ASSY.
2	CXDA-XAN - CHECK VALVE
3	1/2" TUBE - LOWER MANIFOLD
4	1/4" TUBE - MANIFOLD / MOTOR
5	SPEED CONTROL VALVE
6	CXDA-XEN - CHECK VALVE
7	RVBG-LCN - BYPASS RELIEF
8	1/2" TUBE - UPPER MANIFOLD
9	ON - OFF VALVE

**LP** LINDGREN-PITMAN, INC.

LS4 LINE SETTER MANIFOLD

SIZE	DWG. NO.	REV.
<b>A</b>		
SCALE:1:1	WEIGHT:	SHEET 1 OF 1