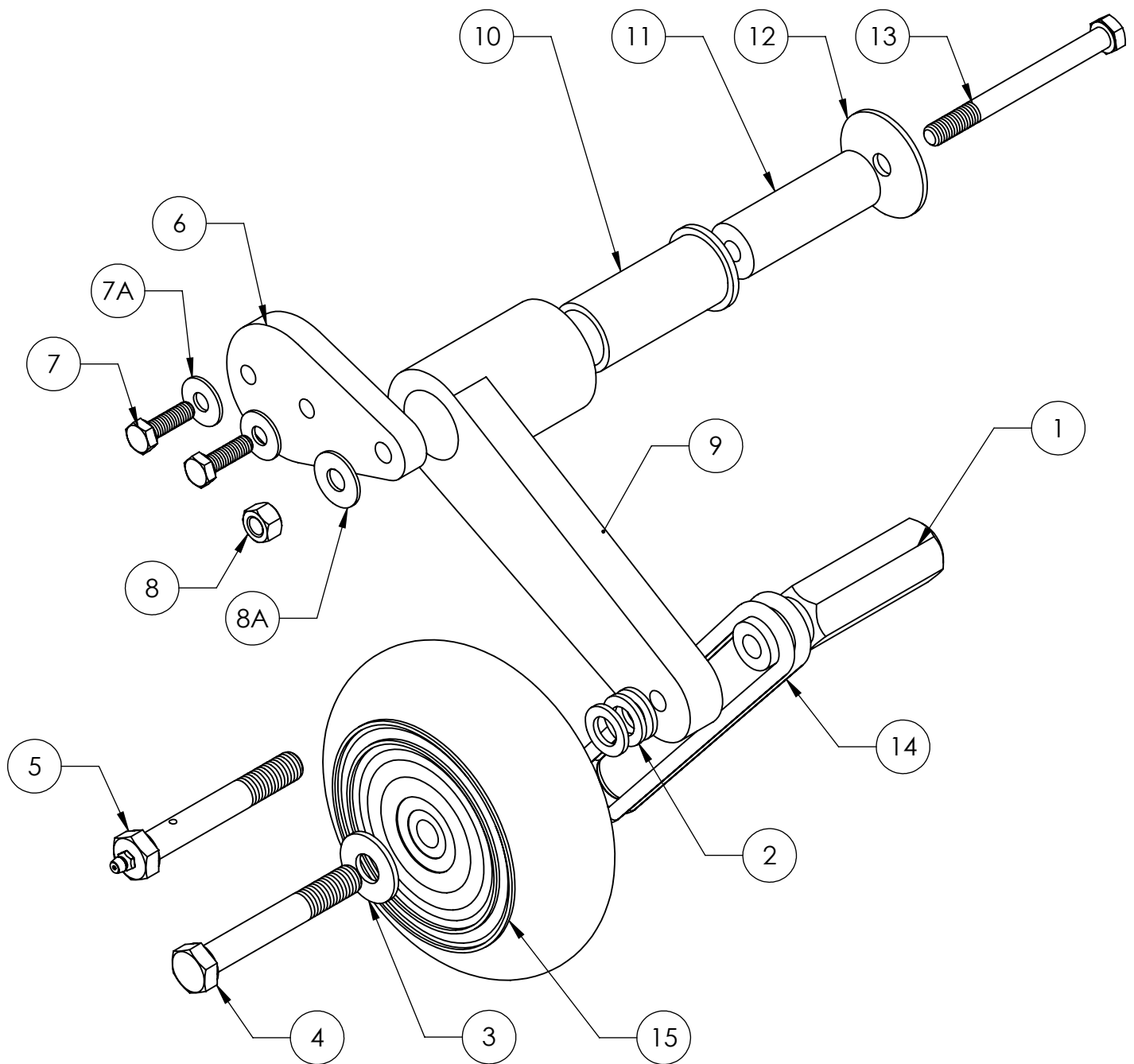


REF	ITEM ID	DESC.
1	LS4-MAIN-12	12" MAIN WHEEL
2	LS3-MOTOR	HYD. MOTOR
3	LS4-EXIT-PLT	EXIT GUIDE PLATE
4	LS4-EXIT-SHIELD	LEXAN EXIT SHIELD
5	LS3-V-RLLR-6	6" V-ROLLER
6	LS3-HOURGLASS	HOURGLASS ROLLER (5x)
7	LS3-TRAN-TORQ	TRAN-TORQUE
8	LS4-ELEMENT	12" DRIVE ELEMENT
9	LS3-ENT-RLLR	ENTRANCE GUIDE ROLLER (2x)
10	LS-AXLE-BOLT	V-ROLLER AXLE BOLT 1/2"
11	BEARING-R8	BEARING, V-GROOVE ROLLER (2x)

LP LINDGREN-PITMAN, INC.

LS4 LINE SETTER (SHOOTER)

SIZE DWG. NO. REV.
A
 SCALE:1:2 WEIGHT: SHEET 1 OF 1



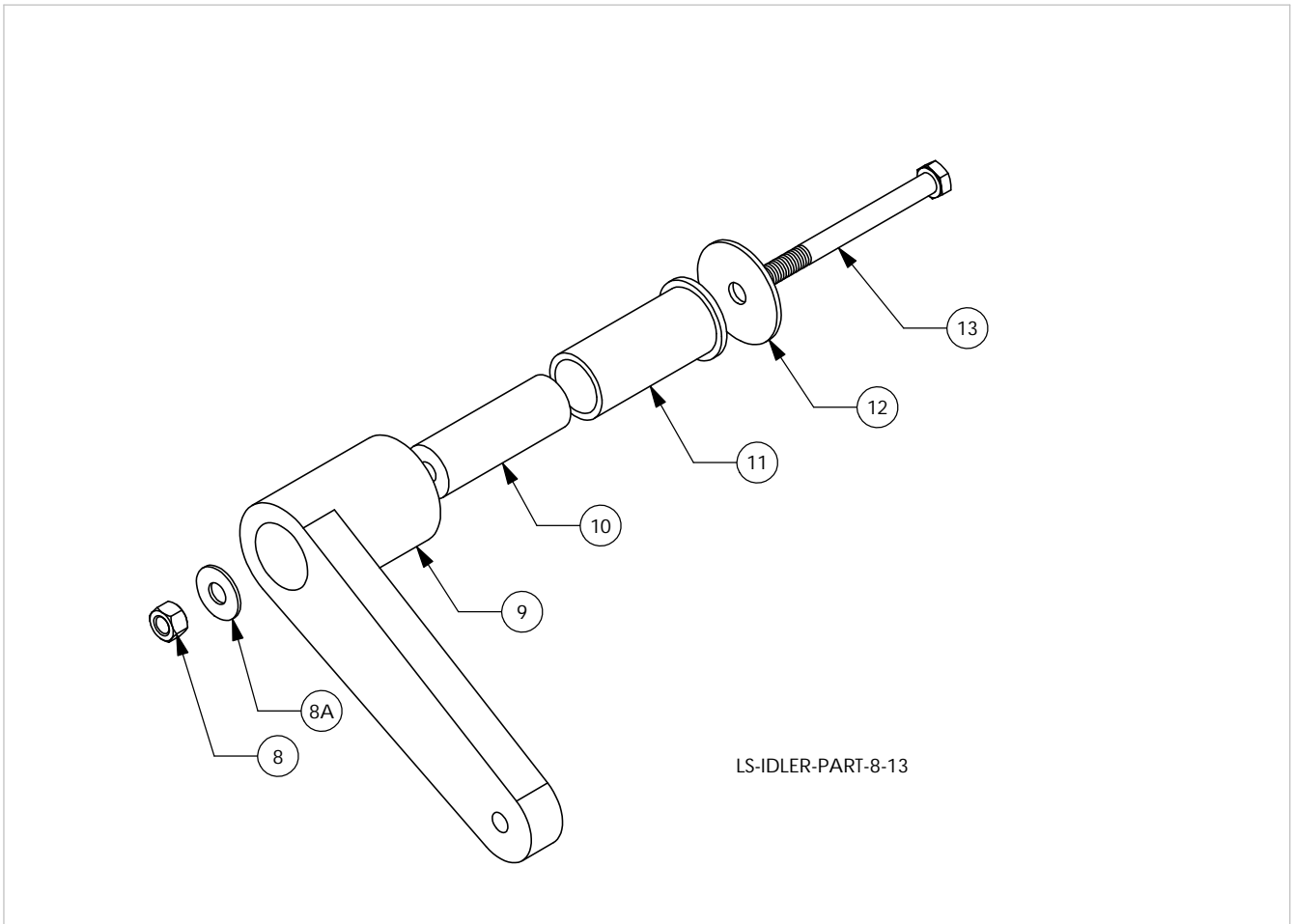
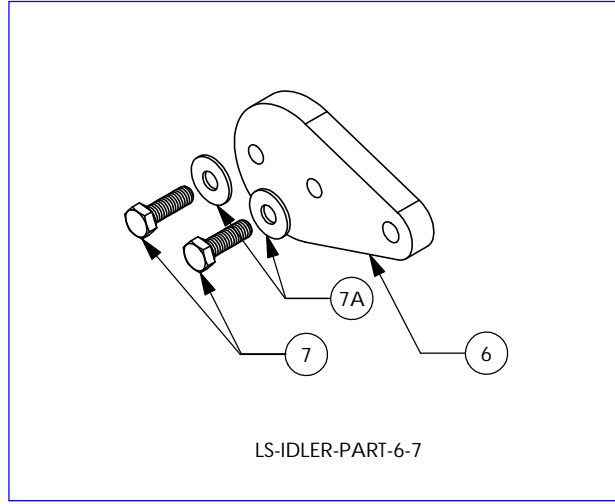
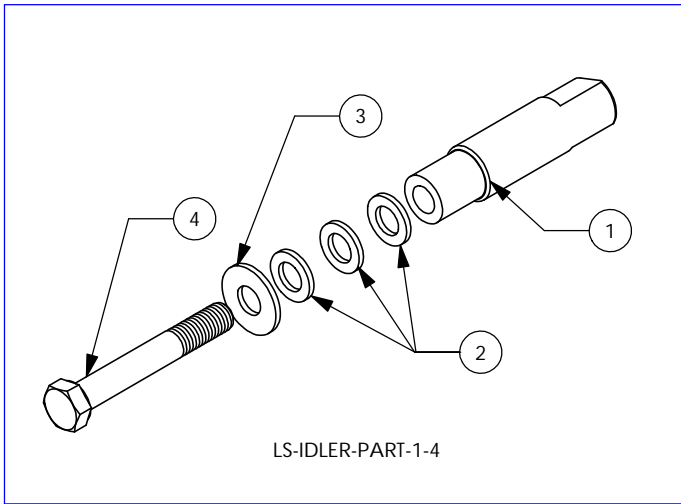
REF	PART NUMBER	DESCRIPTION
1	LS3-HANDLE	#1, LS-3 / LS4 Idler Arm Handle
2	NSS	FLAT WASHER 1/2" AN (3X)
3	NSS	FLAT WASHER 1/2" AN
4	LS-AXLE-BOLT-UP	#4, LS3/LS4 Upper Idler Axle Bolt 1/2-13x3/1/2
5	LS-AXLE-BOLT-UP-ZERK	#5, (Optional) Upper Idler Bolt with Zerk Fitting
6	6 LS-IDLER-MNT	#6, Upper Idler Mounting Bracket Only
7	NSS	HEX BOLT 5/16"-18 X 1" (2X)
7A	NSS	FLAT WASHER 5/16" (2X)
8	NSS	NUT 3/8"-16
8A	NSS	FLAT WASHER 3/8"
9	LS3-IDLER-ARM	#9, LS-3/LS-4 Idler Arm Only
10	LS3-IDLER-BUSH	#10, Upper Idler Arm Bushing, Delron, LS-3/LS-4
11	LS3-IDLER-SPACER-SS	#11, Upper Idler Arm Spacer, Stainless
12	NSS	FENDER WASHER 3/8"
13	NSS	HEX BOLT 3/8"-16 x 4"
14	LS3-ORING	#14, Tension O'Rings (Idler), LS-3, LS-4
15	LS3-IDLE-RLLR	#15, Upper Idler Roller Assembly, LS-3, LS-4 (Wheel)

NSS = NOT SOLD SEPARATELY

 **LINDGREN-PITMAN, INC.**

LS3 / LS4 IDLER ARM ASSY

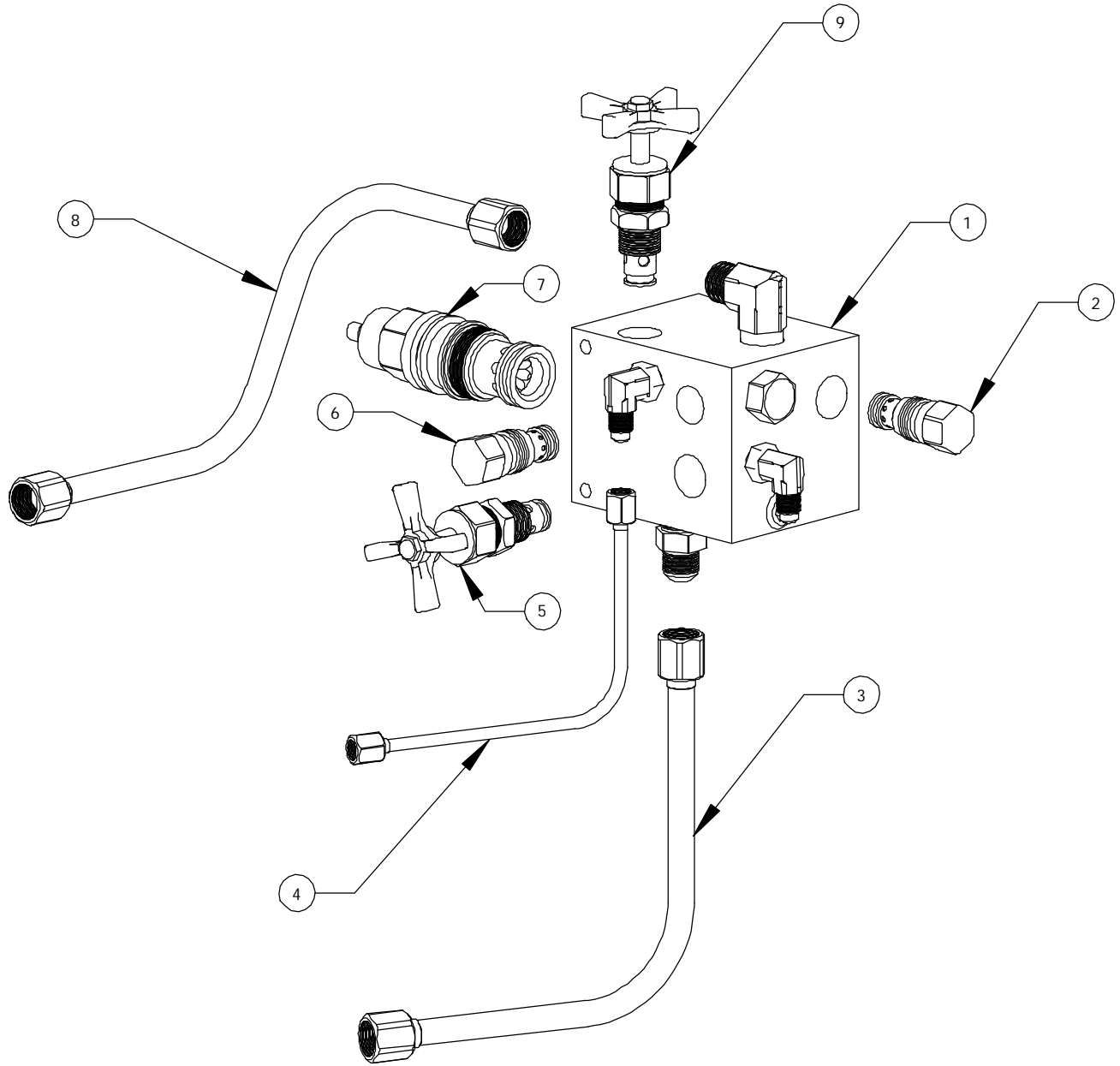
SIZE DWG. NO. Friday, December 15, 2017 12:54:47 PM REV.
A L:\LineSetters\LS3-LS4_Idler Arm.sldrw
 SCALE:1:10 WEIGHT: SHEET 1 OF 1



 **LINDGREN-PITMAN, INC.**

LS3 / LS4 IDLER ARM ASSY.

SIZE	DWG. NO.	REV.
A		
SCALE: 1:2	WEIGHT:	SHEET 2 OF 2



REF	DESC.
1	MANIFOLD ASSY.
2	CXDA-XAN - CHECK VALVE
3	1/2" TUBE - LOWER MANIFOLD
4	1/4" TUBE - MANIFOLD / MOTOR
5	SPEED CONTROL VALVE
6	CXDA-XEN - CHECK VALVE
7	RVBG-LCN - BYPASS RELIEF
8	1/2" TUBE - UPPER MANIFOLD
9	ON - OFF VALVE

 **LINDGREN-PITMAN, INC.**

LS4 LINE SETTER MANIFOLD

SIZE	DWG. NO.	REV.
A		
SCALE:1:1	WEIGHT:	SHEET 1 OF 1