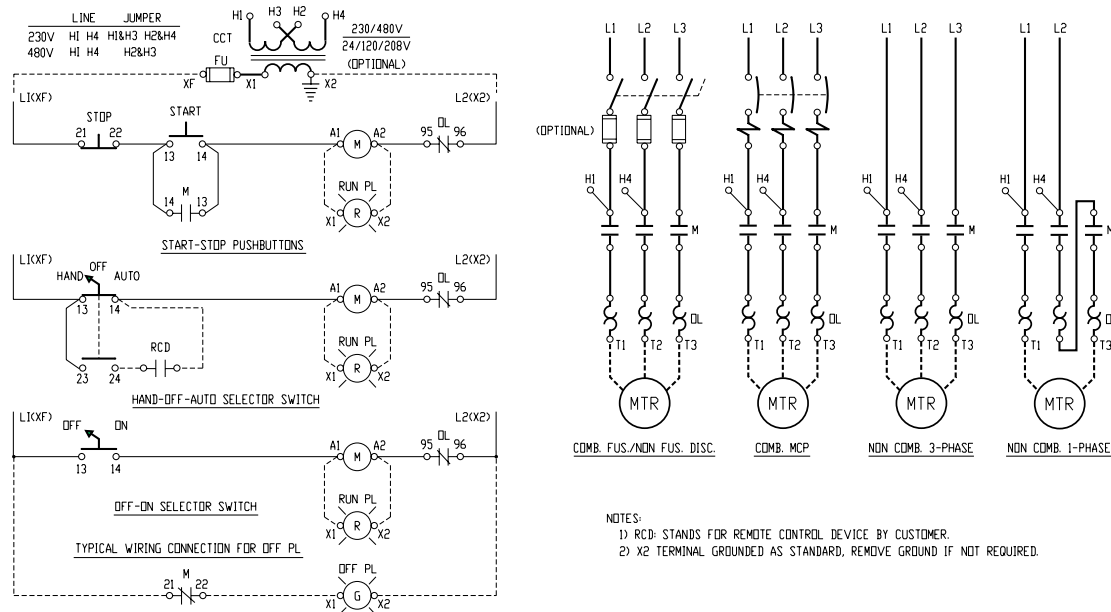
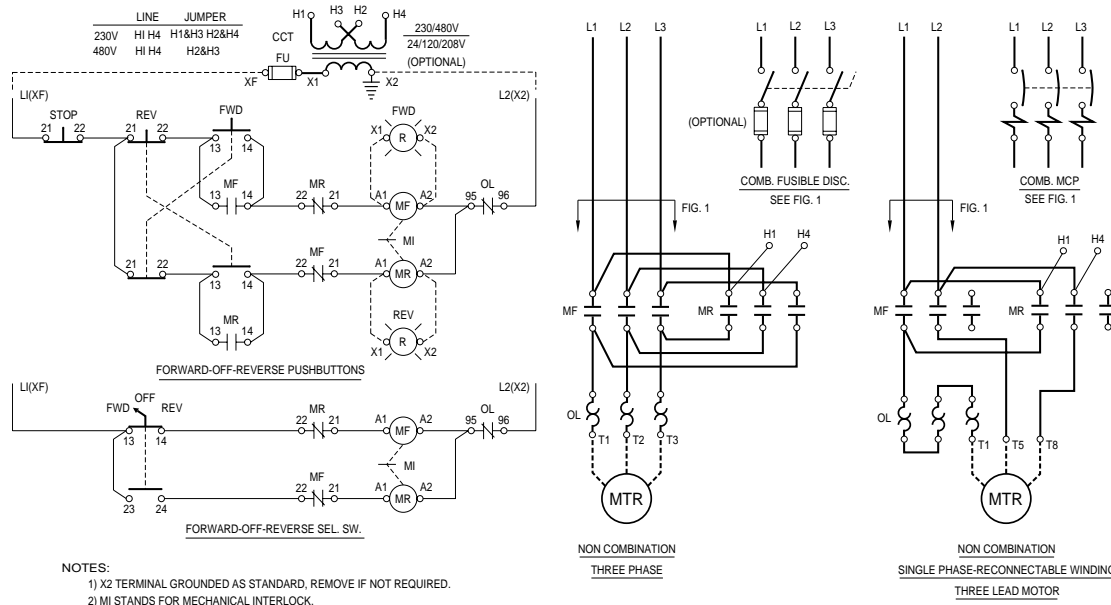


Motor Starters - Non Reversing



Motor Starters - Reversing (three phase & single phase reconnectable)



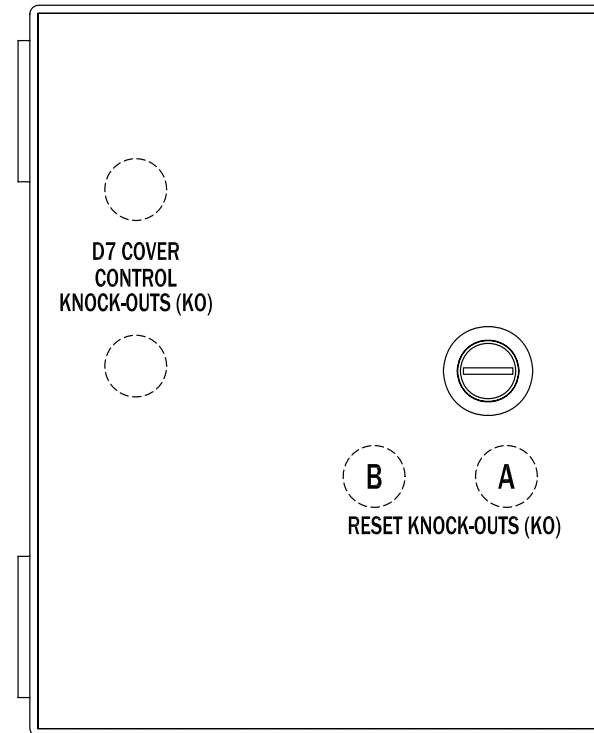
sprecher+schuh

Installation Instructions

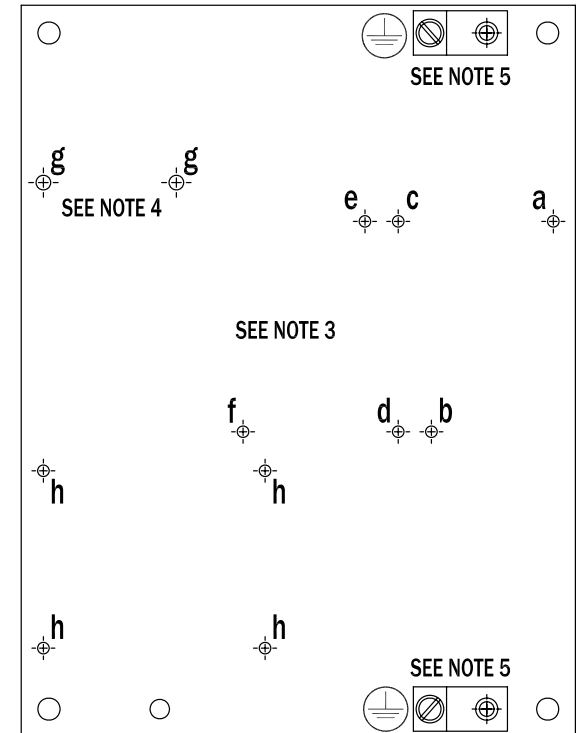
M1-1086-A Enclosure
 For CEP7 Second Generation (CT7N optional)

Installation Instructions for M1-1086-A Enclosure

Select Reset Knock-Out and Mounting Plate holes per table on reverse



DETAIL - A



DETAIL - B

NOTES:

- All dimensions are in inches unless otherwise noted.
- CPT will not fit in A-Box with reversing starter, use B-Box
- Tap [a] thru [f] and [h] 8-32 or M4-0.7, all other holes tap 10-32 or M5-0.8.
- Hole [g] for 2" din rail to mount optional TB's (tap 10-32 or M5-0.8)
- Ground lugs and symbols (tap 10-32 or M5-0.8).

Enclosure (Box) Kit Includes:

- Hinged cover
- Backpan pre-drilled for listed arrangements (not tapped)
- (2) Ground Lugs and Symbol label
- (2) 22mm knockouts for pilot device kits on back
- CEP7-ERA Overload Reset Adapter
- MR3 Reset Kit for Cover
- (2) 22mm knockouts for Reset kit on back
- Dual Conduit knockouts - Top and Bottom (2) 1/2 to 3/4" and (1) 3/4 to 1"
- (4) 8-32 x 1/2" screws for mounting controllers
- Does not include wire

Enclosure Pilot Device Kits & Ratings Definitions

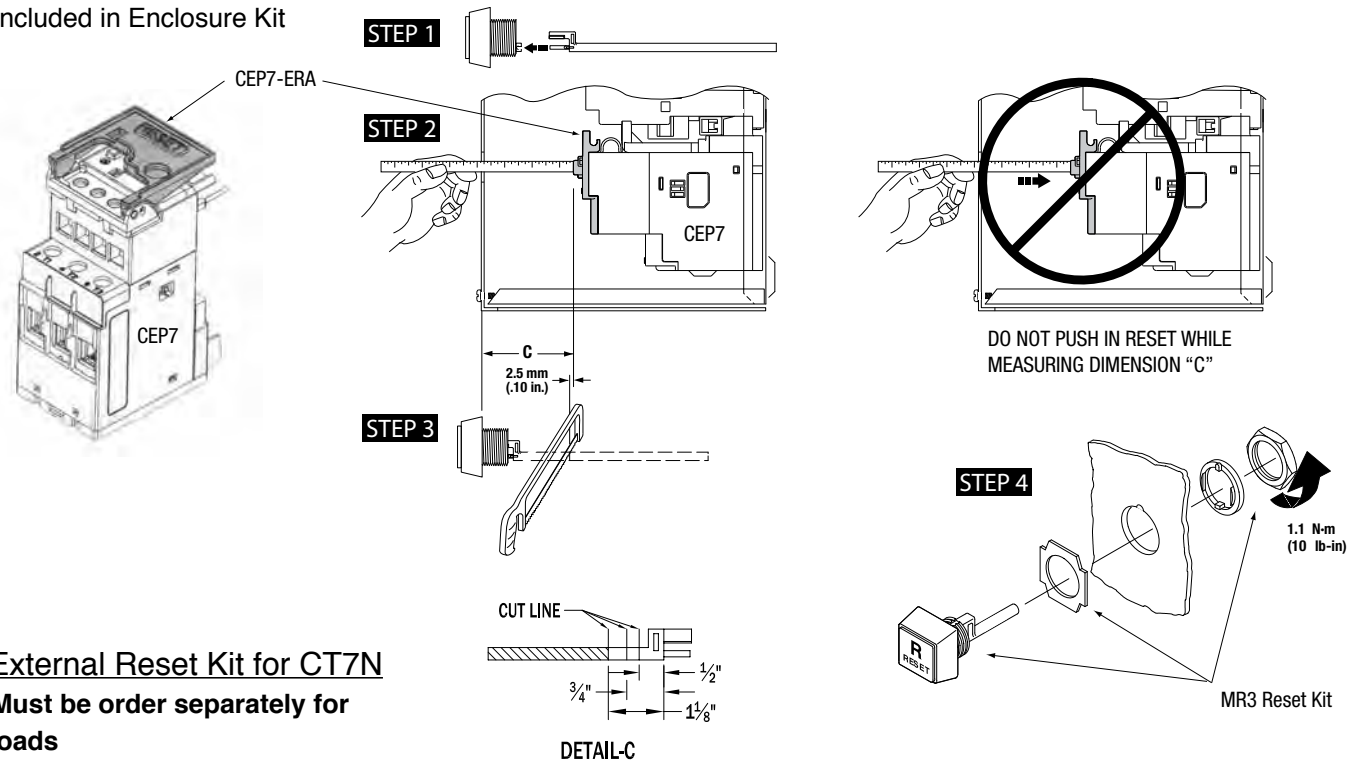
Pilot Device Kits all applications (except Kwikstarters and Explosion Proof) ❶

Kits	Description	Contact Blocks included		Plastic Operator Enclosure Type 1, 12, 3R, 4, 4X, 13	Metal Operator Enclosure Type 1, 12, 3R, 4, 13
		NO	NC		
	Multi-Function Pushbutton kits ❷ Non-illuminated, Standard for "A" and "B" Box Kits.				
	START-STOP Multi Function	1	1	SS6-D7P	SS6-D7M
	FOR-STOP-REV Multi Function	2	3	SS5-D7P	SS5-D7M
	STOP and START pushbutton kit	1	1	SS1-D7P	SS1-D7M
	HAND-OFF-AUTO selector switch kit Name plate included.	2	0	SS2-D7P	SS2-D7M
	FWD-OFF-REV selector switch kit Name plate included.	2	0	SS9-D7P	SS9-D7M
	OFF-ON selector switch kit Name plate included.	1	0	SS4-D7P	SS4-D7M
	Monolithic Pilot Light kit LED Lamp and lens cap Replace ❷ with color choice R = Red G = Green	~	~	SS8-D7D-❷24V SS8-D7D-❷120V SS8-D7D-❷240V	

- ❶ Pilot Device Kits do not include control wires. See individual instruction sheets for installation.
- ❷ This enclosure is designed for use with a D7 multi-function Start/Stop as standard plus a D7D monolithic pilot light to fit the (2) 22mm knockouts provided. Additional pilot device holes will require field drilling and may interfere with the controller or the addition of a CPT or TB's.

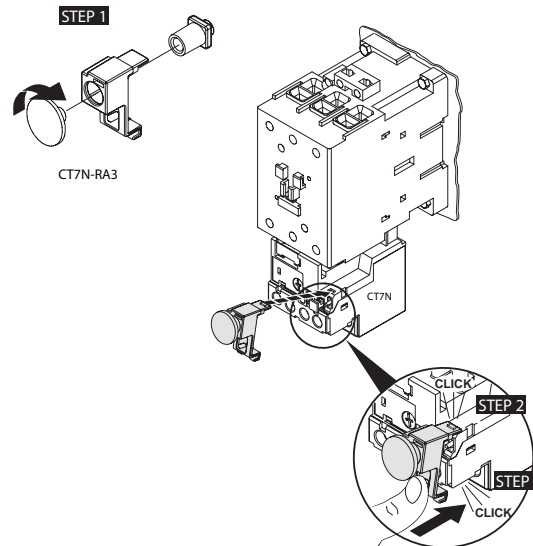
Enclosure External Reset Kit for CEP7

MR3 Reset Included in Enclosure Kit



Alternate External Reset Kit for CT7N

CT7N-RA3 Must be order separately for CT7N Overloads



Installation Instructions for M1-1086-A Enclosure

Select Reset Knock-Out and Mounting Plate holes per table

FOR USE WITH CEP7(S) & CT7N OVERLOADS					
CONTACTOR SIZE / STARTER ASSEMBLY	DETAIL - A RESET KO	DETAIL - B HOLES USED	DETAIL - C RESET SHAFT		
			CEP7	CT7N	
NON-REVERSING	CA(T)7-9...23 WITH 50VA CPT	A	a & b h	1 1/8"	3/4"
	CA(T)7-30...37 WITH 50VA CPT	A	a & b h	1/2"	1/2"
	CA(T)7-43 WITH 50VA CPT	A	a & d h		NO SHAFT
REVERSING SEE NOTE 2	CAU(T)7-9...23	B	a & b, e & f	1 1/8"	3/4"
	CAU(T)7-30...37	B	a & b, e & f	1/2"	1/2"

Enclosure Dimensions

- See enclosure drawings by Figure No. on the opposite page
- **Dimensions are in decimal inches**
- **Dimensions not intended for manufacturing purposes**
- For other dimensions, please refer to factory

TYPE 1 - GENERAL PURPOSE ENCLOSURE

Encl. ID Dim.	Figure No.	Enclosure Size			Mtg Depth		Mtg Centers		Panel Size Sub-Pan		H
		A	B	C	D	E	F				
A	2	10	8	6	5.5	7	7	8.25	6.25	N/A	
B	2	12	10	6	5.5	9	9	10.25	8.25	N/A	
C	2	16	12	6.62	6	7	13.88	13	10.5	N/A	
C2	2	16	12	8.62	8	7	13.88	13	10.5	N/A	
D	2	20	16	6.62	6	11	17.88	17	14.5	N/A	
D3	2	20	16	8.62	8	11	17.88	17	14.5	N/A	
E	2	24	20	8.62	8	15	21.88	21	18.5	N/A	
E2	2	24	20	10.62	10	15	21.88	21	18.5	N/A	
F	2	30	24	8.62	8	16.75	27.5	26	22.5	N/A	
G	2	30	24	12.62	12	16.75	27.5	26	22.5	N/A	
H	2	36	30	12.62	12	22.75	33.5	32	28.5	N/A	
I	2	42	30	13.25	12.09	22.76	39.88	39	27	N/A	
J	2	48	36	13.25	12.09	28.76	45.88	45	33	N/A	
J2	(Type 12 Enclosure, See Table Below)										
K2	(Type 12 Enclosure, See Table Below)										
K3	(Type 12 Enclosure, See Table Below)										
M	2	10	8	6	5.5	7	7	8.25	6.25	N/A	
O	2	14	12	6	5.47	10.98	11.02	12.25	10.25	N/A	
S	2	36	24	8.62	8	16.75	33.5	32	22.5	N/A	

TYPE 12 - INDUSTRIAL DUST TIGHT ENCLOSURE

Encl. ID Dim.	Figure No.	Enclosure Size			Mtg Depth		Mtg Centers		Panel Size Sub-Pan		H
		A	B	C	D	E	F				
C2	4	16	14	8	7.53	12	16.75	14.75	12.88	17.5	
C3	4	16	14	10	9.53	12	16.75	14.75	12.88	17.5	
H	5	36	30	12	12	24	37.25	33	27	38.5	
I	5	42	30	12	12	24	43.25	39	27	44.5	
J	5	48	36	12	12	30	49.25	45	33	50.5	
J2	5	48	36	16	16	30	49.25	45	33	50.5	
K2	5	60	36	16	16	30	61.25	57	33	62.5	
K3	5	60	36	12	12	30	61.25	57	33	62.5	
L	4	8	6	6	5.53	4	8.75	6.75	4.88	9.5	
M	4	10	8	6	5.53	6	10.75	8.75	6.88	11.5	
O	4	14	12	6	5.53	10	14.75	12.75	10.88	15.50	
Q	5	20	16	8	8	10	21.25	17	13	22.5	
Q2	5	20	16	10	10	10	21.25	17	13	22.5	
R	5	24	20	8	8	14	25.25	21	17	26.5	
R2	5	24	20	10	10	14	25.25	21	17	26.5	
T	5	30	24	10	10	18	31.25	27	21	32.5	
W	5	42	36	12	12	30	43.25	39	33	44.5	

TYPE 3R - RAIN TIGHT ENCLOSURE

Encl. ID Dim.	Figure No.	Enclosure Size			Mtg Depth		Mtg Centers		Panel Size Sub-Pan		H
		A	B	C	D	E	F				
L	7	10	8	6	5.46	3	11	8.25	6.25	12	
M	7	12	10	6	5.46	3	13	10.25	8.25	14	
O	8	18	18	10	8.1	13	19	15	15	20	
Q	8	20	20	8	6.98	13	21	17	17	22	
R	8	24	20	8	6.98	13	25	21	17	26	
R2	8	24	24	10	8.81	13	25	21	21	26	
T	5	30	24	10	8.81	13	31	27	21	32.5	
H	8	36	30	12	10.97	27	37	33	27	38	
I	8	42	30	12	10.97	27	43	39	27	44	
W	8	42	36	12	10.97	27	43	39	33	44	
J	8	48	36	12	10.97	27	49	45	33	50	

Starters & Enclosed Products

Enclosure Dimensions

See dimension tables on previous page.

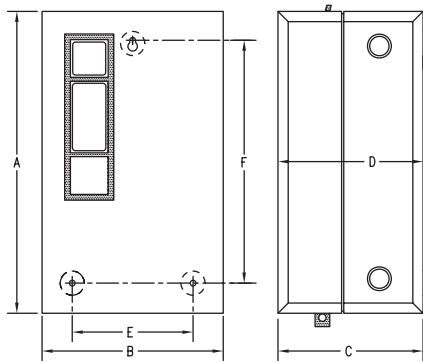


FIGURE NO. 1

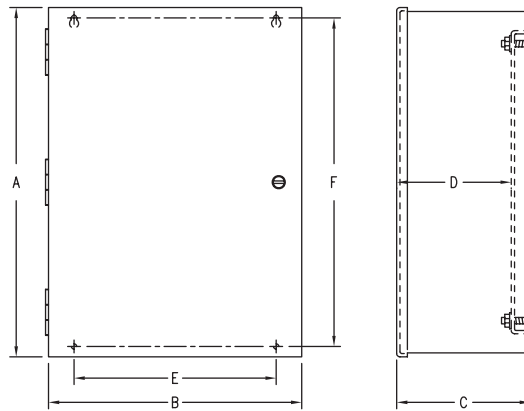


FIGURE NO. 2

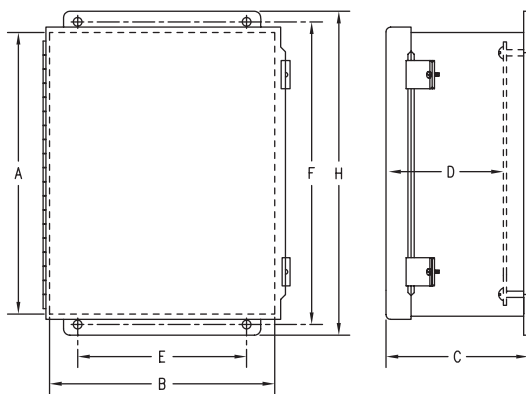


FIGURE NO. 4

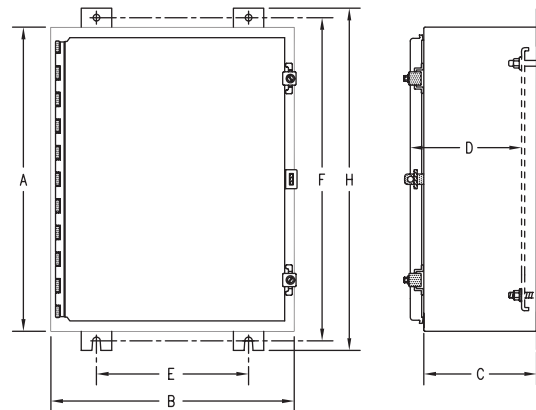


FIGURE NO. 5

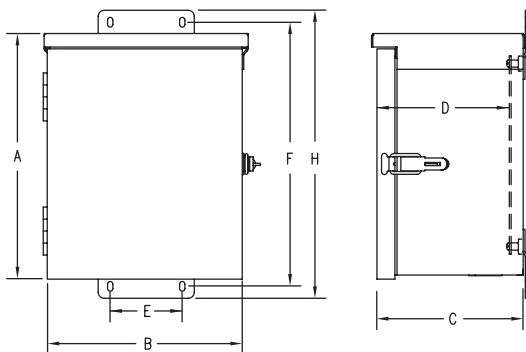


FIGURE NO. 7

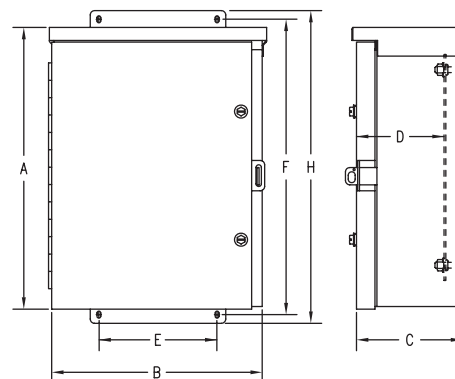


FIGURE NO. 8

G
Starters & Enclosed Products