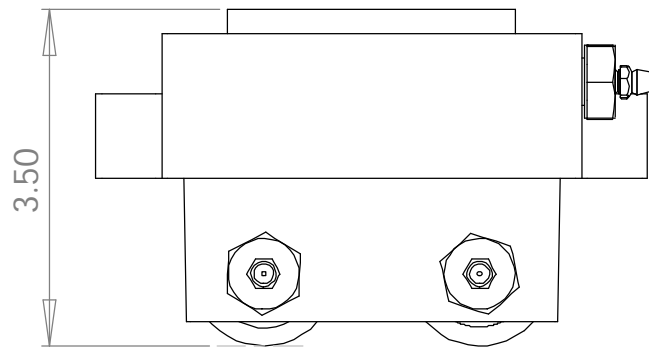
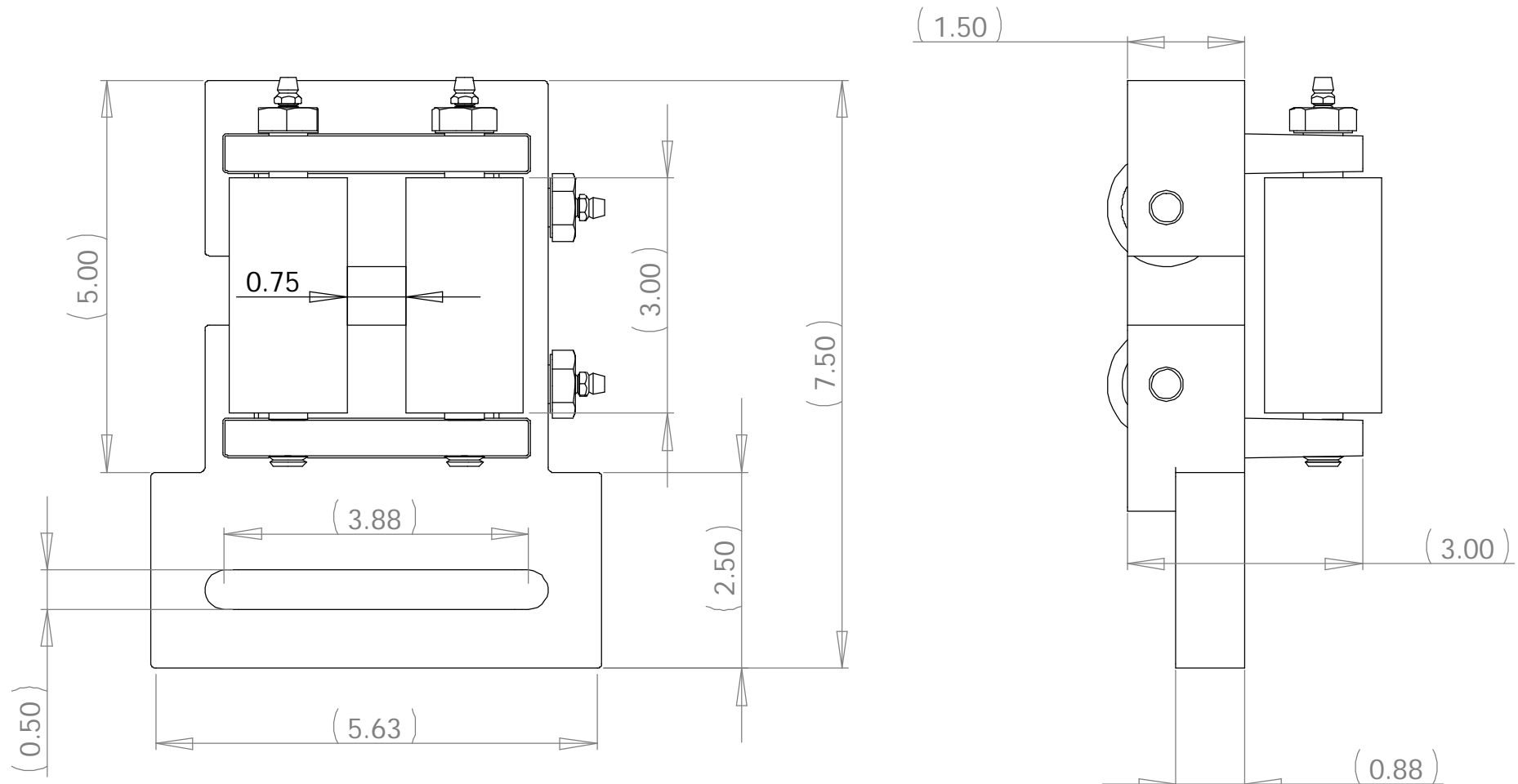


THE INFORMATION CONTAINED IN THIS DRAWING IS THE SOLE PROPERTY OF LINDGREN-PITMAN, INC. ANY REPRODUCTION IN PART OR WHOLE WITHOUT THE WRITTEN PERMISSION OF LINDGREN-PITMAN, INC. IS PROHIBITED.



ITEM NO.	PART OR IDENTIFYING NO.	NOMENCLATURE OR DESCRIPTION	MATERIAL SPECIFICATION	QTY REQD
PARTS LIST				
UNLESS OTHERWISE SPECIFIED DIMENSIONS ARE IN INCHES TOLERANCES ARE:		CAD GENERATED DRAWING, DO NOT MANUALLY UPDATE	LINDGREN-PITMAN, INC.	HEAVY DUTY ROLLER FAIRLEAD
FRACTIONS	DECIMALS			
+	.XX	+ 1		
	.XXX	.XXX		
MATERIAL	--	APPROVALS	DATE	
FINISH	--	DRAWN		
		CHECKED		
		RESP ENG		
		MFG ENG		
		QUAL ENG		
NEXT ASSY	USED ON	SIZE	DWG. NO.	REV.
APPLICATION	DO NOT SCALE DRAWING	A		
		SCALE	CAD FILE:	SHEET OF

HeavyDutyRoller1.SLDDRW